



Southwire[®]

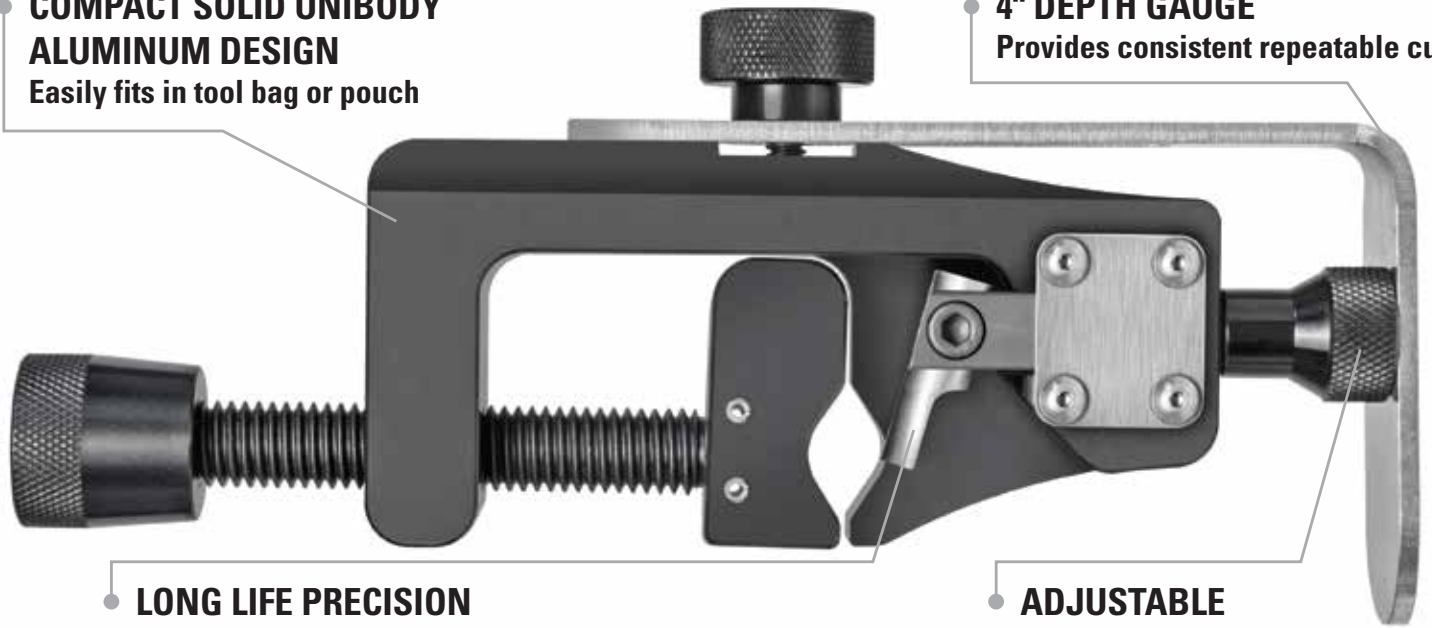
XTS-01

XT CABLE STRIPPER

The XT Cable Stripper is made for end and Mid-Span terminations of 600 volt 1/0 to 1000kcmil or outside diameter sizes from (.33"-1.284"). Works on THHN, XHHW, RHH, RHW, and USE jackets.

COMPACT SOLID UNIBODY ALUMINUM DESIGN
Easily fits in tool bag or pouch

4" DEPTH GAUGE
Provides consistent repeatable cuts



LONG LIFE PRECISION RAZOR CURVED BLADE DESIGN
For faster cuts and greater durability

ADJUSTABLE CUTTING DEPTH



SUITABLE FOR MOST JACKET MATERIALS
THHN, XHHW, RHH, RHW, and USE



Southwire[™]

TOOLS & EQUIPMENT

[BUILT FOR DURABILITY.
BUILT FOR RELIABILITY.
BUILT FOR WORK.]

1-855-SWTOOLS
(855-798-6657)

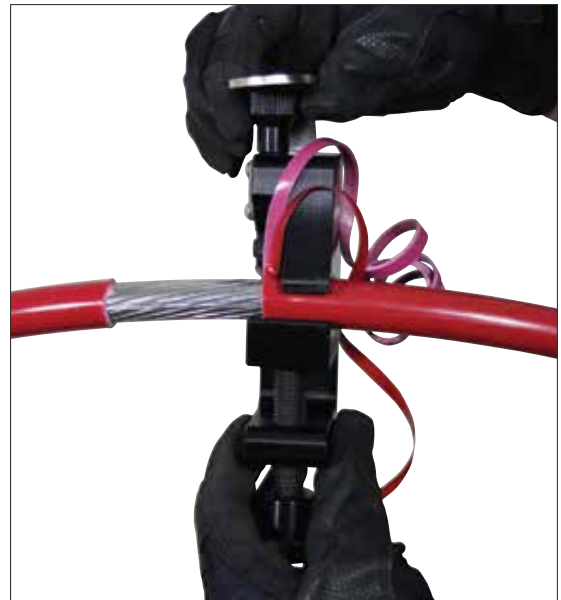


Southwiretools.com



Features & Benefits

- For End and Mid-Span Terminations on most 600V insulation types
- Cutting depth is adjustable to precisely match insulation thickness for fast stripping while eliminating Cable Scoring
- Adjustable 4" depth gauge provides consistent repeatable cuts
- Replaceable, Precision Razor Sharp blade that is safely enclosed within the tool, eliminates stripping cables with a knife
- Capacity: wire 1/0 (.33" in diameter) in size to 1000kcMill (approx. 1.284" diameter)



Specifications

MODEL #	STOCK#	DESCRIPTION	HEIGHT	WIDTH	DEPTH	WEIGHT
XTS-01	64984901	XT Cable Stripper	8.5"	2.5"	2.25"	1.30 lbs

