

Assembly Guide



Bush
FURNITURE

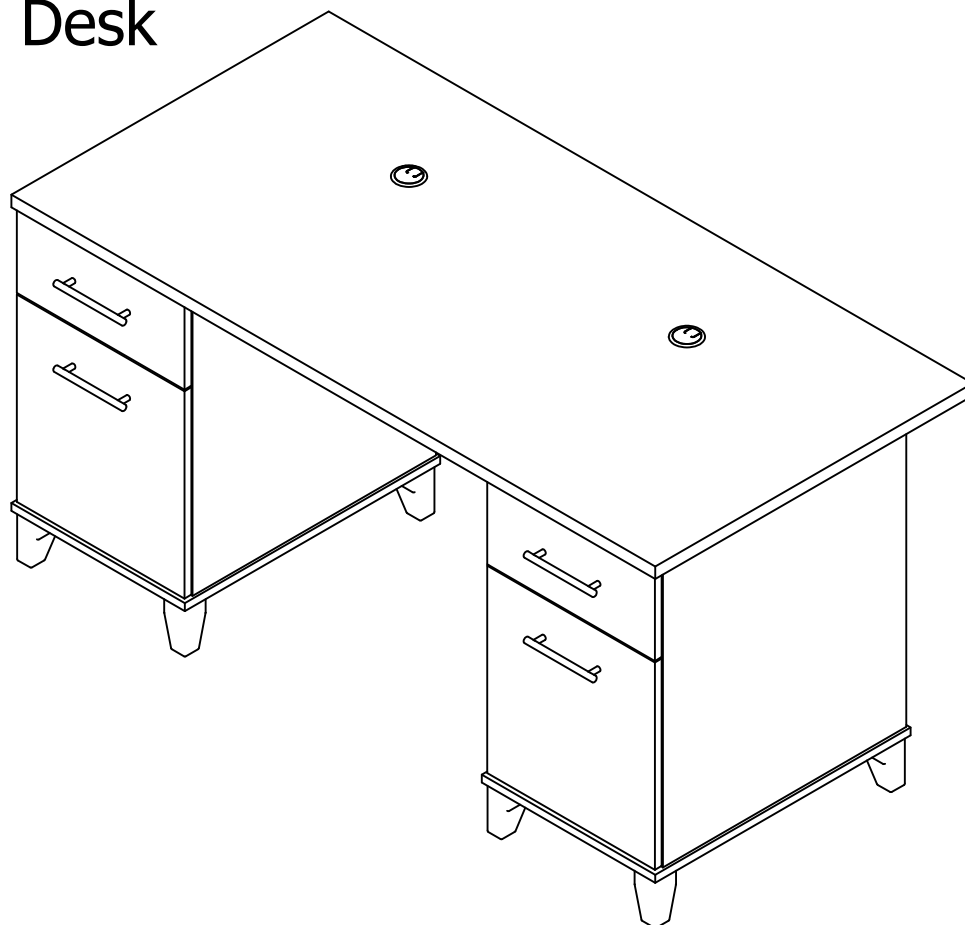


If you're having any difficulty during assembly of this product, don't hesitate to call us at **1-800-950-4782.**

Our customer service experts are trained to provide step-by-step instruction and can easily replace any missing or damaged parts.

Representatives are available Monday-Friday from 8:30 a.m. to 7:30 p.m. (ET)

Pedestal Desk



Lot Code #

Instruction Sheet Number A186386G

Keep manual for future reference.

For best results, keep these tips in mind:

- ① We know you want to finish this assembly as quickly as possible, but trust us: you'll have a better experience if you take it one step at a time.
- ② Give yourself some room to work near where you want the fully assembled product.
- ③ If your floor isn't carpeted, assemble this product on the empty carton to avoid scratching.
- ④ Do you have a friend who owes you a favor? Some steps may go a little easier with a second set of hands.

DOs

- ✔ Use a #2 Phillips head screwdriver (or other handheld tools as indicated)
- ✔ Wear safety glasses at all times during assembly
- ✔ Carefully follow the instructions in this guide and complete all steps in order
- ✔ Give us a call if you're having trouble with a particularly tricky step

DON'Ts

- ✘ We know power tools are quick and easy, but you shouldn't use them when assembling this product (unless otherwise specified)
- ✘ Never move your furniture with items inside or resting on the surface
- ✘ Do not attempt to use this product before all steps have been completed



Watch assembly videos right on your phone or computer!



Some steps include QR codes that link to helpful videos. Watch out for the icon on the left! Simply open up your smartphone camera to scan the code.

(Users of older smartphones may need to install a QR Reader.)

SCAN HERE



FOR VIDEOS

Or visit <https://www.bushfurniture.com/CustomerService/HowtoAssemble.aspx>

IMPORTANT SAFETY INFORMATION



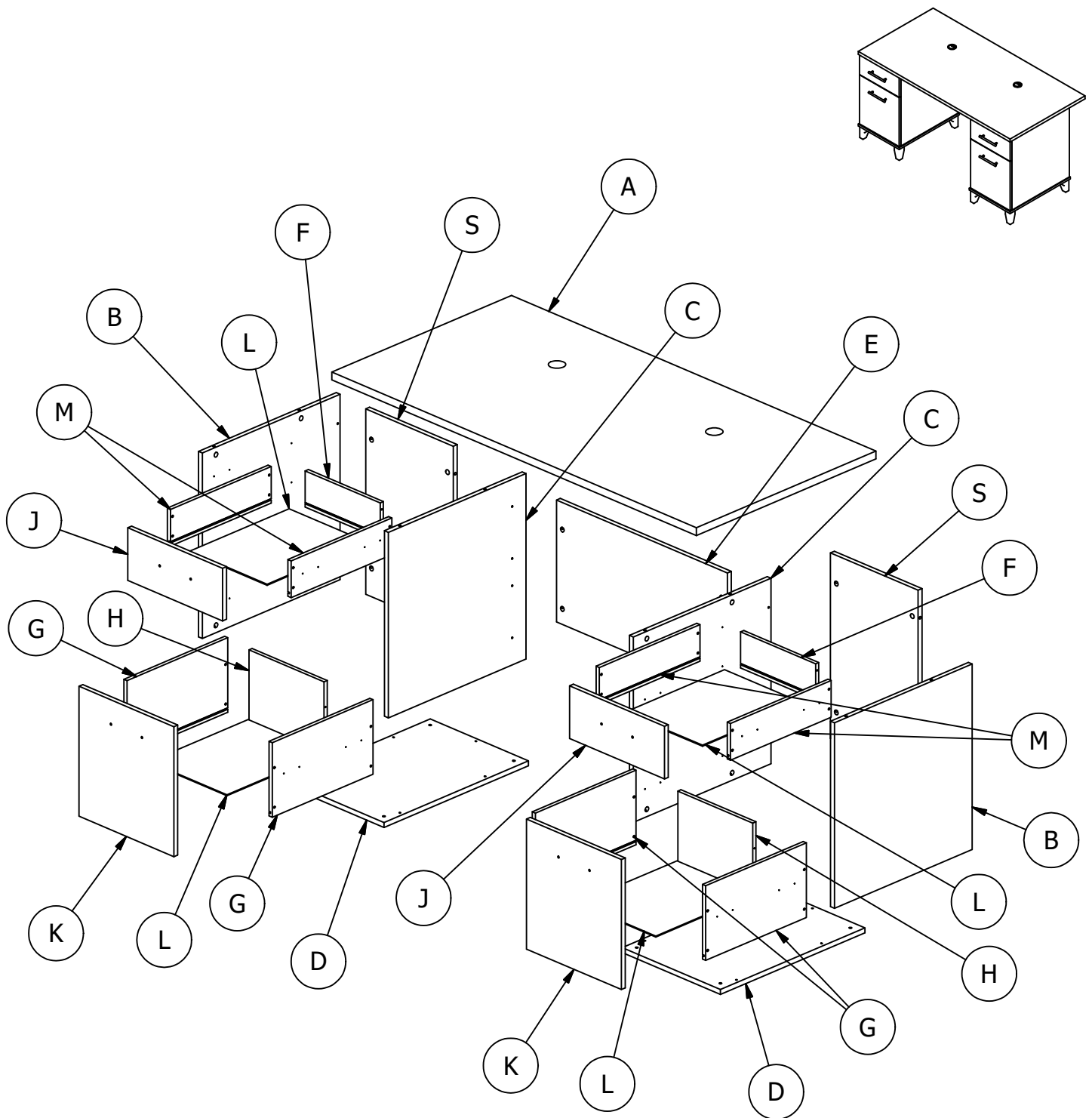
PLEASE READ WARNINGS

Improper use can cause safety hazards, or damage to your furniture and household items.

Warning	Do	Don't	Why it's important
Serious injury may occur.	<ul style="list-style-type: none">Assemble following all instructions using all indicated parts and hardware provided.	<ul style="list-style-type: none">Do not move unit when loaded.Do not load with a television or other heavy equipment.Do not exceed the maximum load limits stated in the instructions.	Improper assembly, use or loading can lead to product instability, tipover, or collapse.

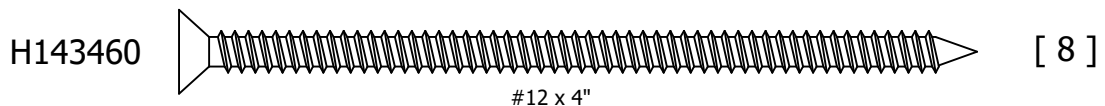
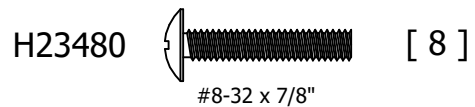
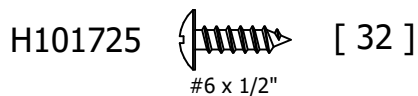
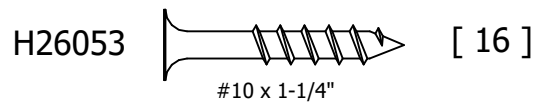
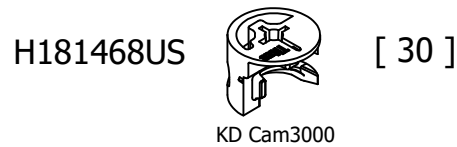
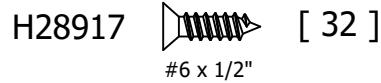
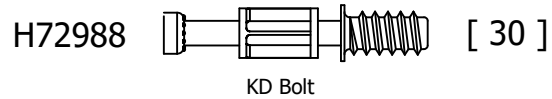
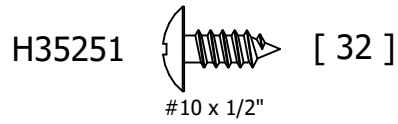
Advertencia	Hacer	No	Por qué es importante
Pueden producirse lesiones graves.	<ul style="list-style-type: none">Realice el montaje siguiendo todas las instrucciones y utilizando todas las piezas indicadas y los herrajes suministrados.	<ul style="list-style-type: none">No mueva la unidad cuando esté cargada.No cargue el mueble con un televisor u otro equipo pesado.No supere los límites máximos de carga indicados en las instrucciones.	El montaje, uso o carga inadecuados pueden provocar inestabilidad, vuelco o colapso del producto.

Avertissement	À faire	À ne pas faire	Pourquoi c'est important
Peut entraîner des blessures graves.	<ul style="list-style-type: none">Assembler en suivant toutes les instructions et en utilisant toutes les pièces et la quincaillerie incluses.	<ul style="list-style-type: none">Ne pas déplacer le meuble lorsqu'il est chargé.Ne pas charger le meuble avec un téléviseur ou tout autre équipement lourd.Ne pas dépasser les limites de poids maximales indiquées dans les instructions.	Un assemblage, une utilisation ou un chargement incorrects peuvent entraîner l'instabilité, le basculement ou l'effondrement du produit.



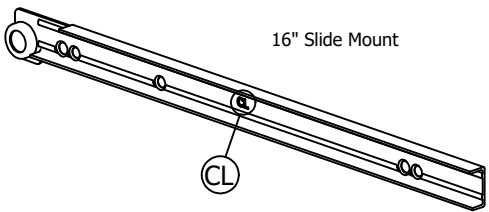
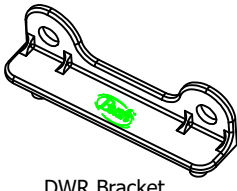
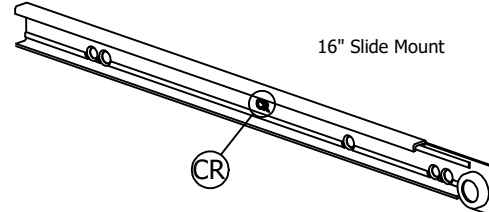
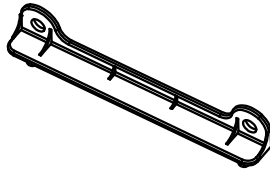
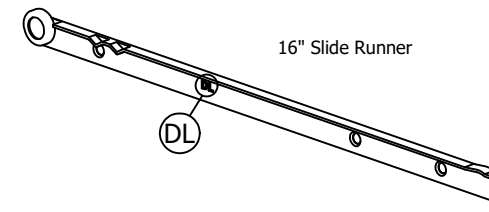
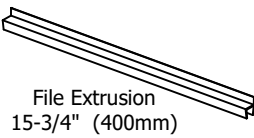
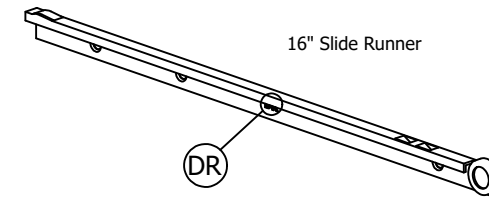
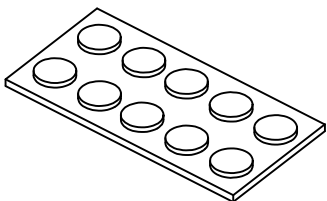
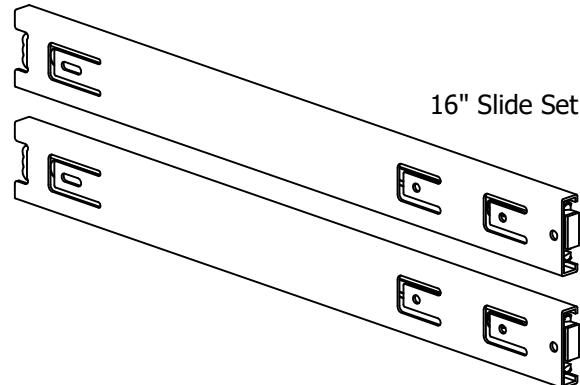
Have an assembly question or need a replacement part? Just call
1-800-950-4782, we are here to help.

Fasteners are shown actual size.



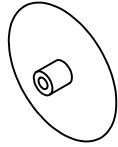
Have an assembly question or need a replacement part? Just call
1-800-950-4782, we are here to help.

Hardware not to scale.

- | | | | | | |
|---------|---|-------|---------|--|-------|
| Q89897 |  <p>16" Slide Mount</p> | [2] | H100445 |  <p>DWR Bracket</p> | [4] |
| Q89897 |  <p>16" Slide Mount</p> | [2] | H100446 |  <p>Drawer Bracket</p> | [4] |
| Q89897 |  <p>16" Slide Runner</p> | [2] | H162488 |  <p>File Extrusion
15-3/4" (400mm)</p> | [4] |
| Q89897 |  <p>16" Slide Runner</p> | [2] | H215406 |  <p>Bumper (10) per pack</p> | [1] |
| Q162813 |  <p>16" Slide Set</p> | [2] | | | |

Have an assembly question or need a replacement part? Just call
1-800-950-4782, we are here to help.

Hardware not to scale.



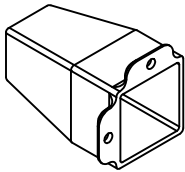
[4]

Cover Cap



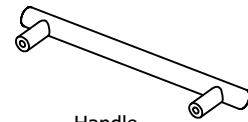
[2]

5mm Hole Plug



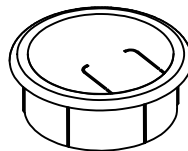
[8]

Foot



[4]

Handle



[2]

Grommet

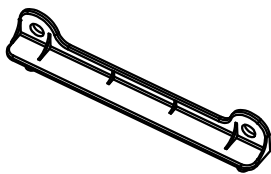
Have an assembly question or need a replacement part? Just call
1-800-950-4782, we are here to help.

STEP 1

Prepare Panels

A186386G

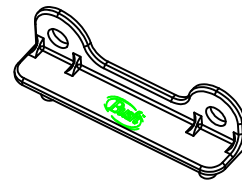
H100446



[4]

Drawer Bracket

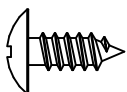
H100445



[4]

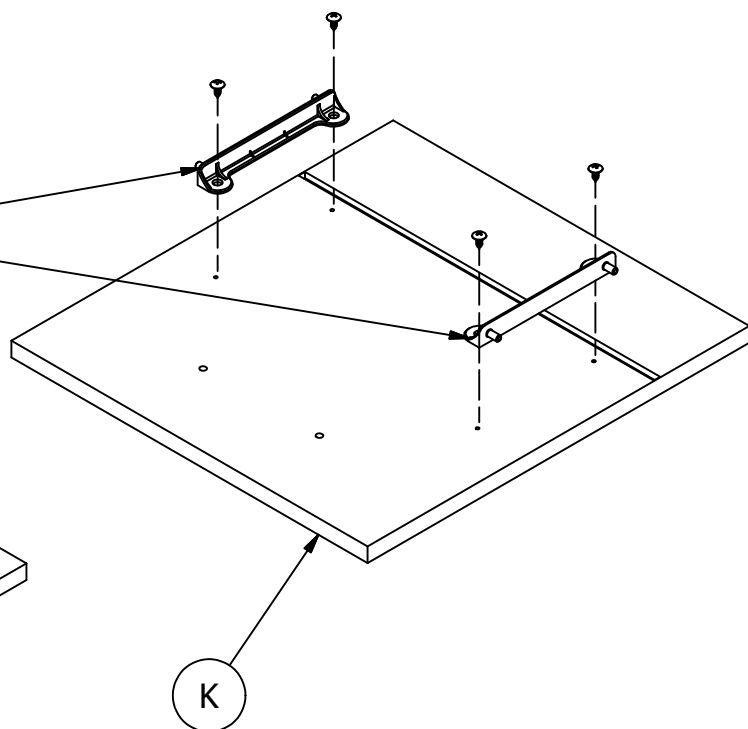
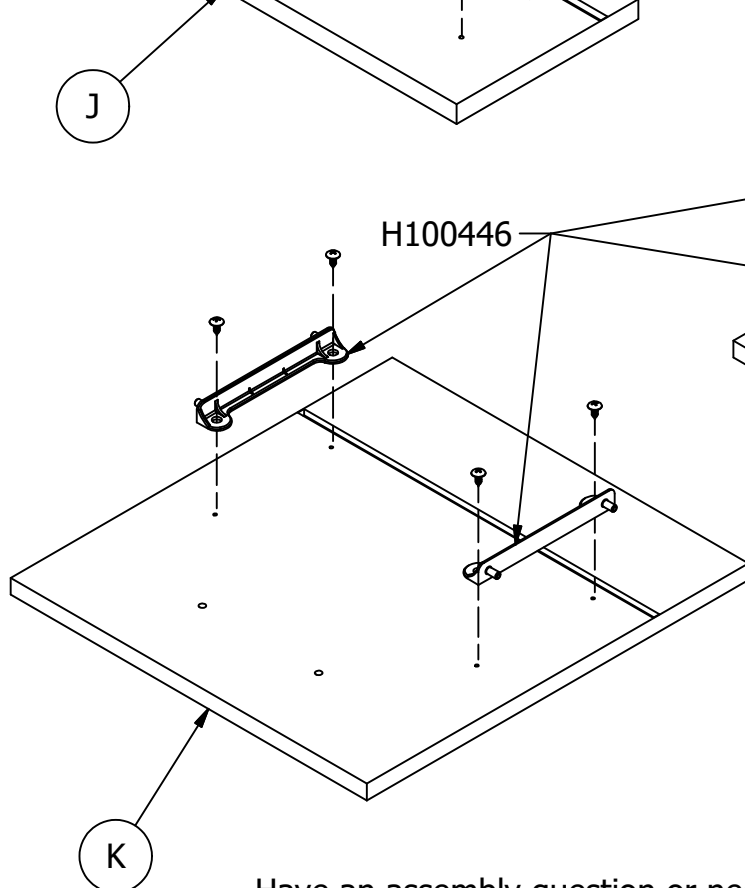
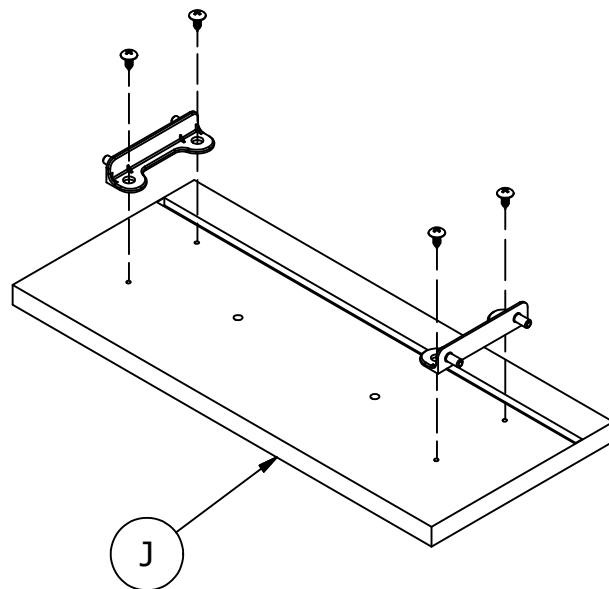
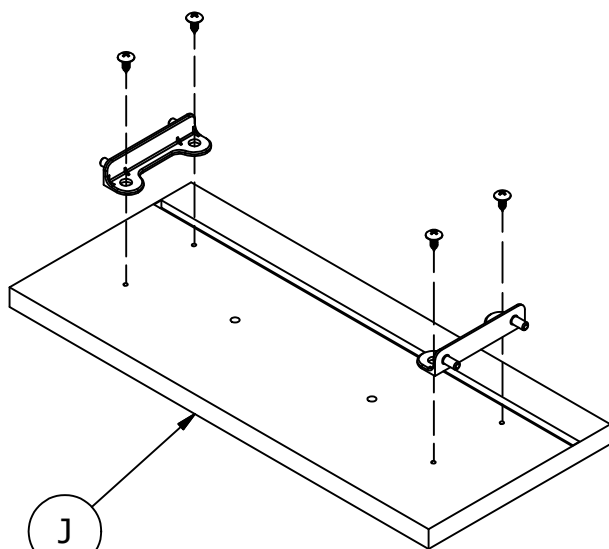
DWR Bracket

H35251

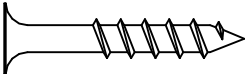



[16]


#10 x 1/2"

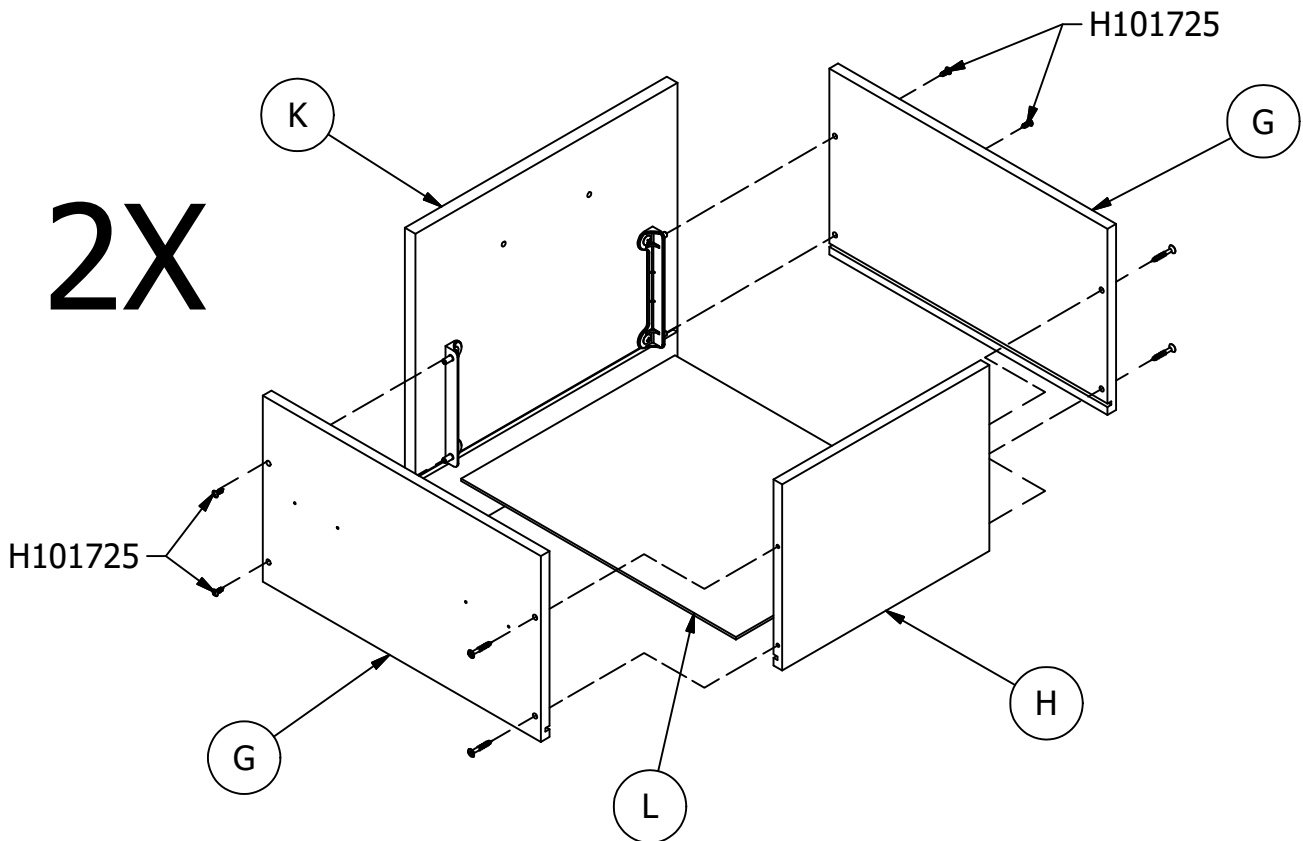
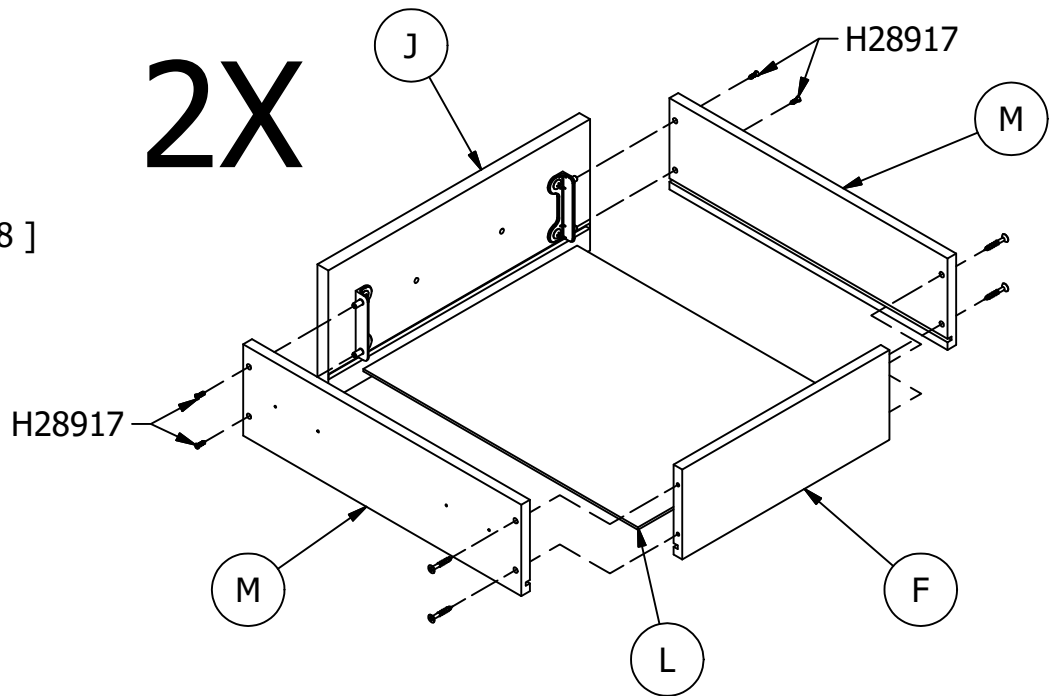


Have an assembly question or need a replacement part? Just call
1-800-950-4782, we are here to help.

H26053  [16]
#10 x 1-1/4"

H28917  [8]
#6 x 1/2"

H101725  [8]
#6 x 1/2"





Have an assembly question or need a replacement part? Just call
1-800-950-4782, we are here to help.


STEP 3

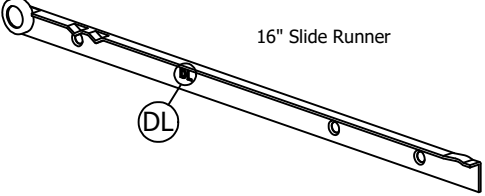
Assemble Panels

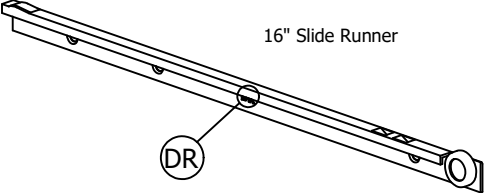
A186386G

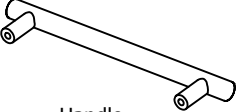
H28917  [12]
#6 x 1/2"

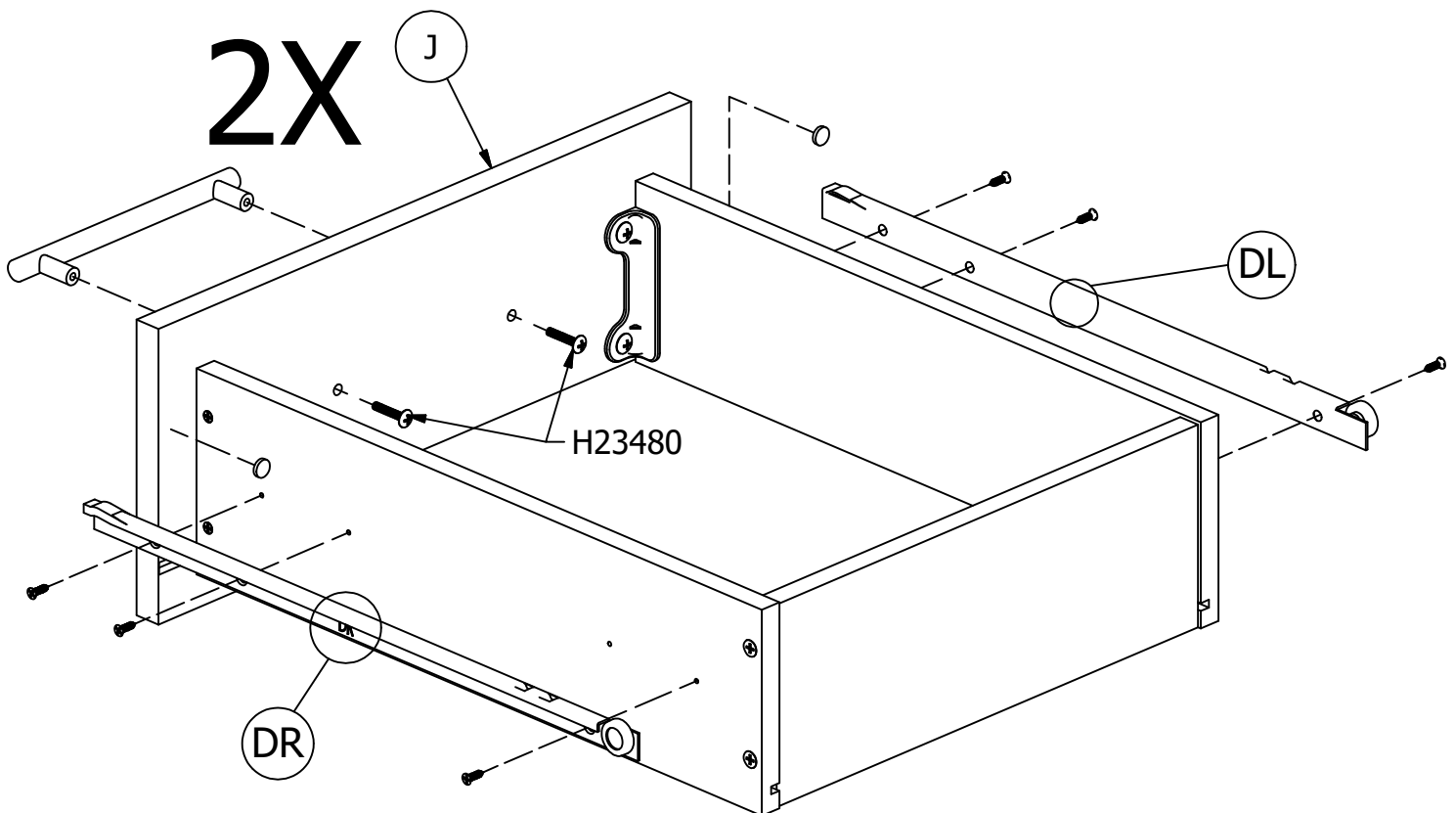
H23480  [4]
#8-32 x 7/8"

H215406  [4]
Bumper

Q89897  [2]
16" Slide Runner
DL

Q89897  [2]
16" Slide Runner
DR

 [2]
Handle



Have an assembly question or need a replacement part? Just call
1-800-950-4782, we are here to help.

Scan QR Code to Watch Video on:

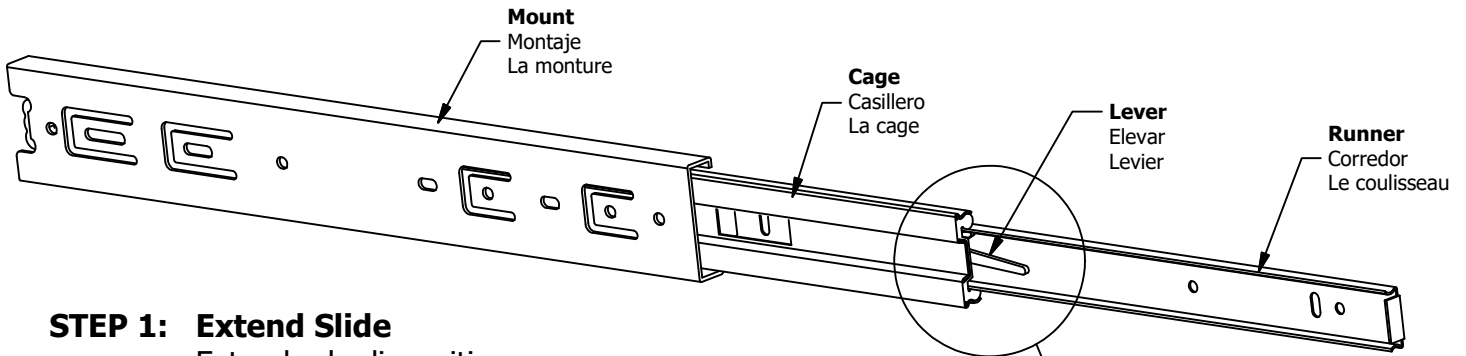


How to Separate and Install Drawer Slides

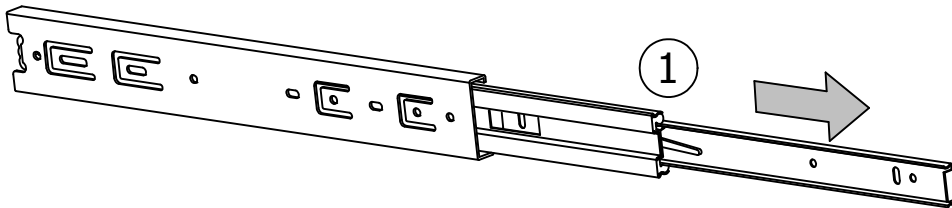
**Slides Must Be Separated Before Assembly.
After Separated, Set Aside Until Needed for Assembly.**

Las diapositivas deben separarse antes del montaje.
Después de la separación, déjelo a un lado hasta que sea necesario.

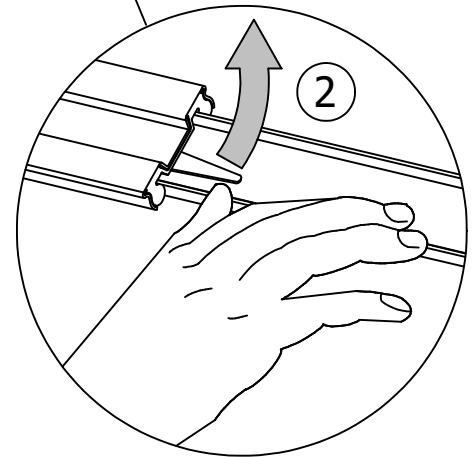
Les glissières doivent être séparées avant l'assemblage.
Après la séparation, mettez de côté jusqu'au moment de l'assemblage.



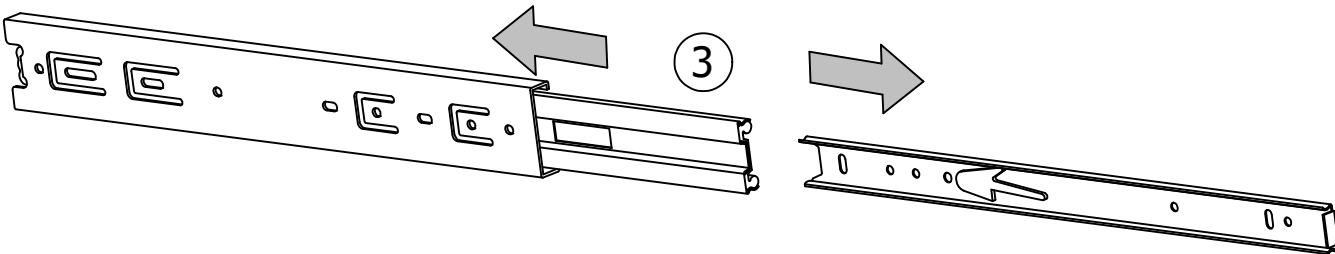
STEP 1: Extend Slide
Extender la diapositiva
Extendre la diapositive



STEP 2: Push Lever UP
Empujar hacia arriba
Lever le levier



STEP 3: Remove Runner
Quitar el corredor
Enlever le coureur



Have an assembly question or need a replacement part? Just call **1-800-950-4782**, we are here to help.

STEP 5


Assemble Panels

A186386G


Scan QR Code to Watch Video on:




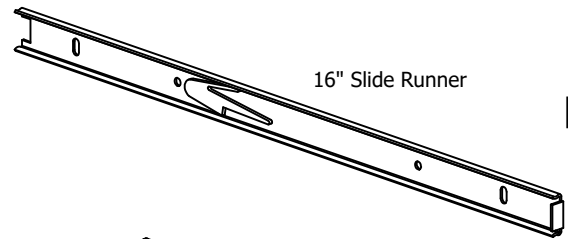
How to Separate and Install Drawer Slides

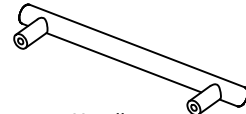
H101725  [12]
#6 x 1/2"

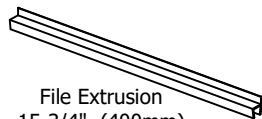
Q162813

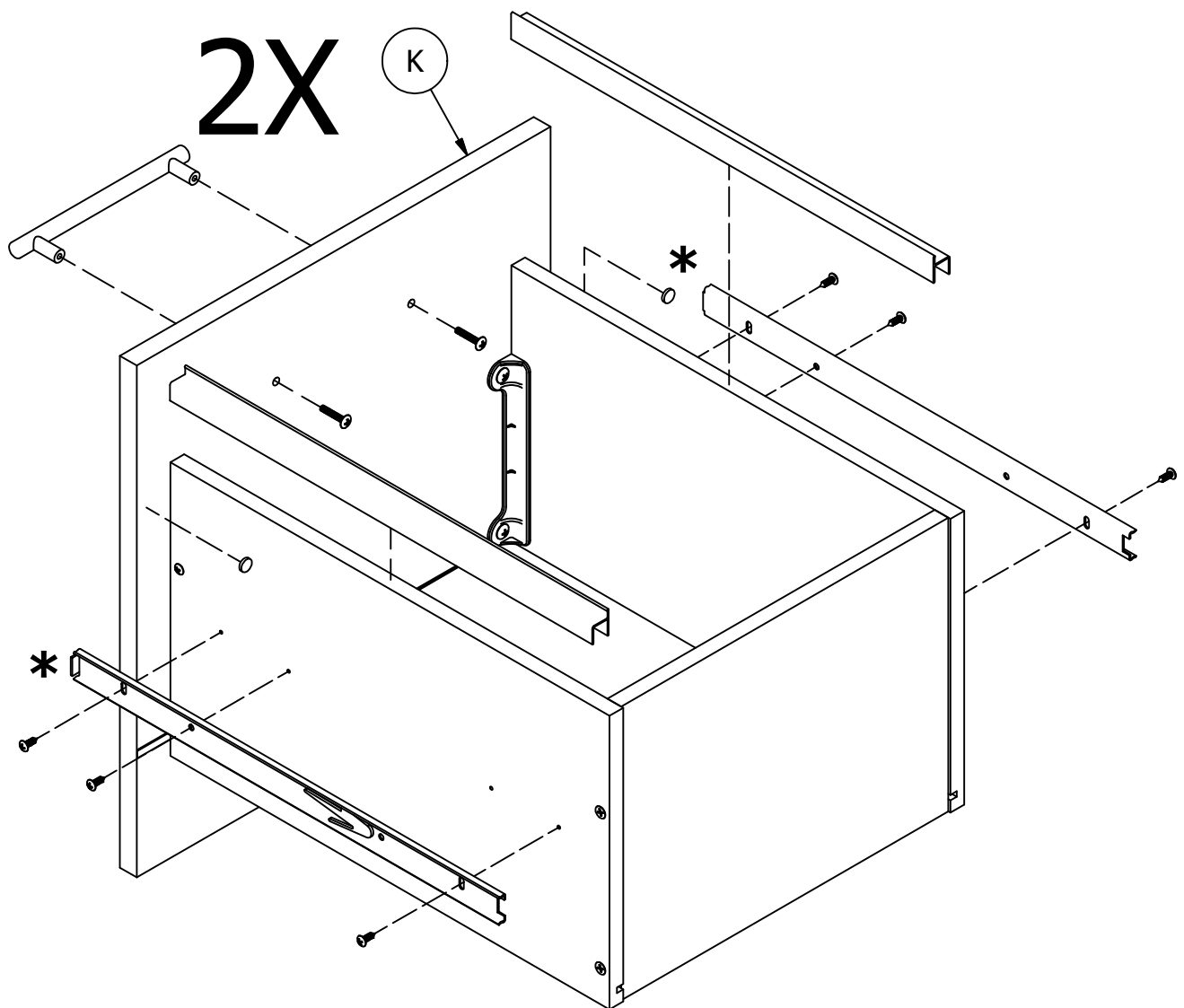
H23480  [4]
#8-32 x 7/8"

H215406  [4]
Bumper

 16" Slide Runner [4] *

 [2]
Handle

H162488  [4]
File Extrusion
15-3/4" (400mm)



Have an assembly question or need a replacement part? Just call **1-800-950-4782**, we are here to help.

STEP 6


Prepare Panel

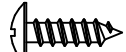
A186386G


Scan QR Code to Watch Video on:



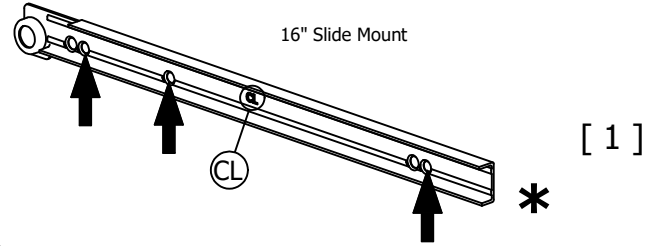
How to Separate and Install Drawer Slides

H28917  [3]
#6 x 1/2"

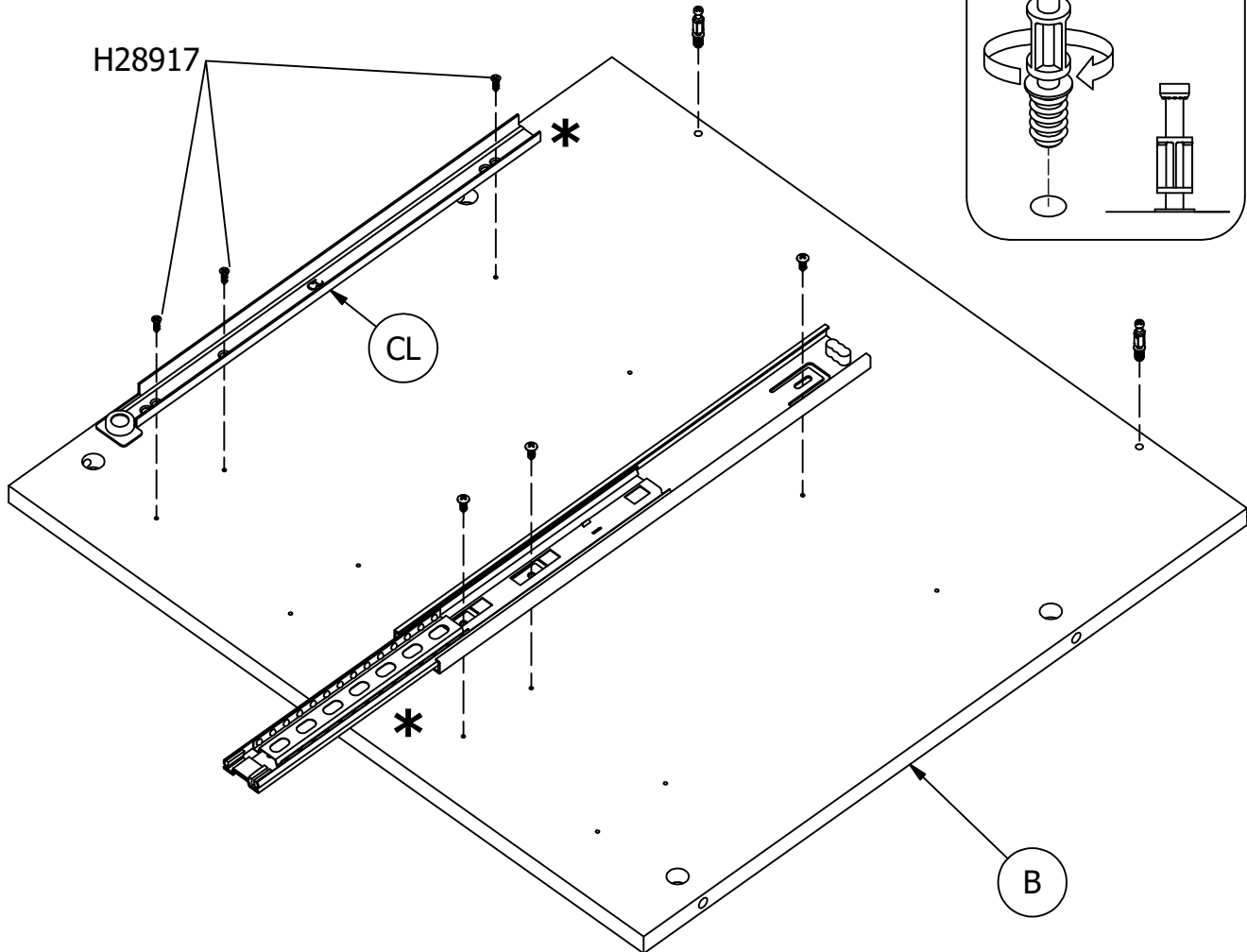
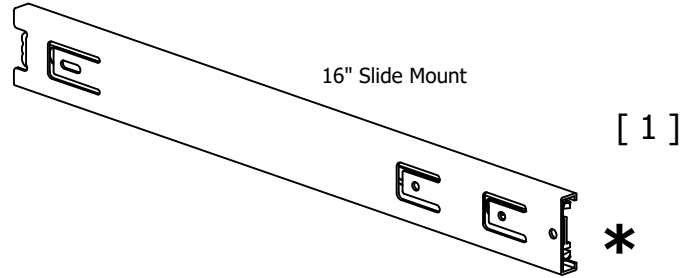
H101725  [3]
#6 x 1/2"

H72988  [2]
KD Bolt

Q89897



Q162813



Have an assembly question or need a replacement part? Just call **1-800-950-4782**, we are here to help.

STEP 7

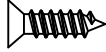
Prepare Panel


A186386G


Scan QR Code to Watch Video on:

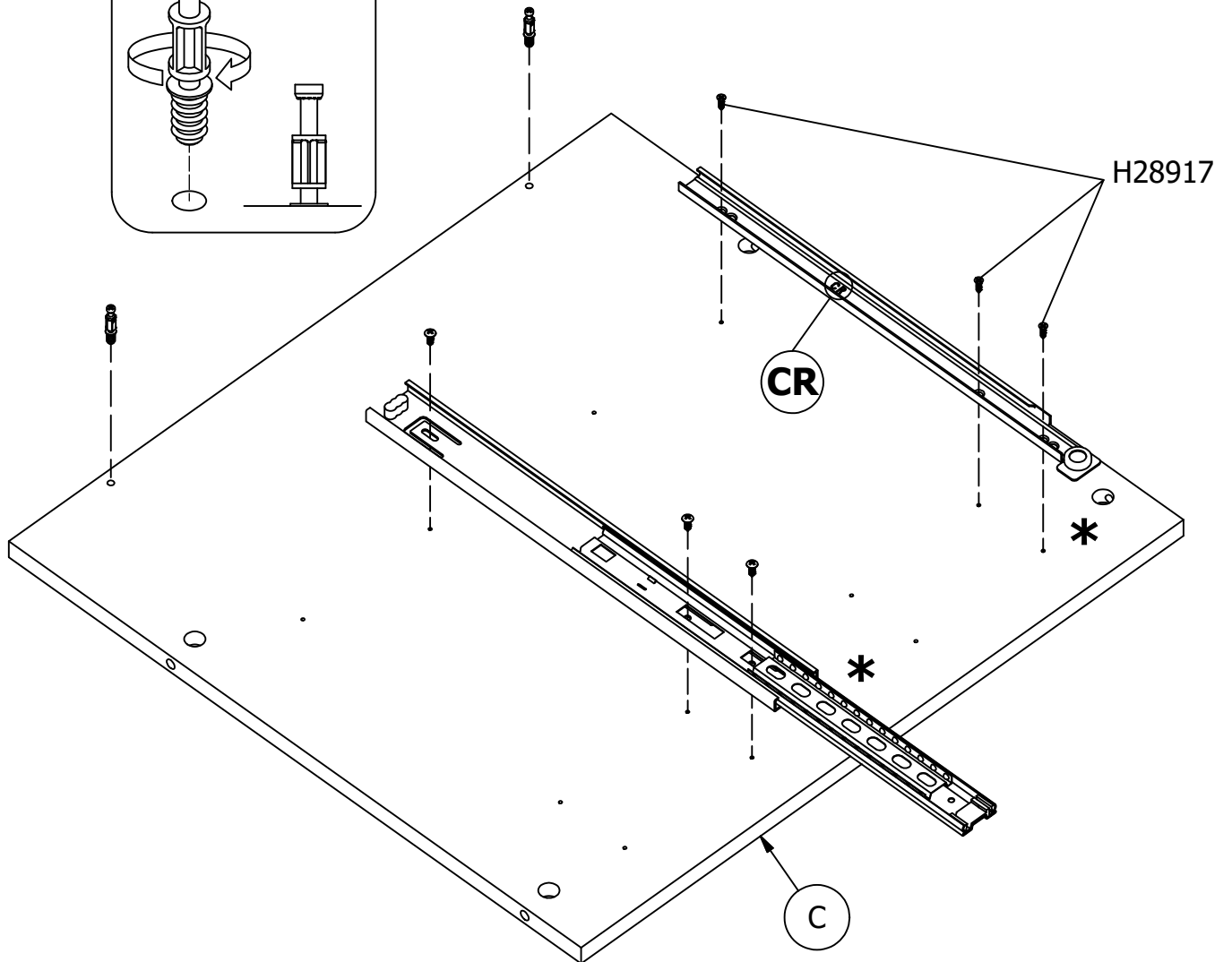
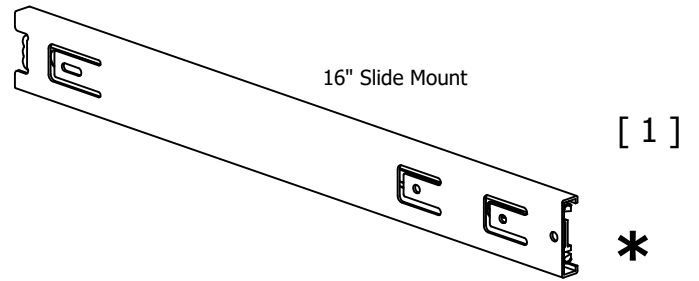
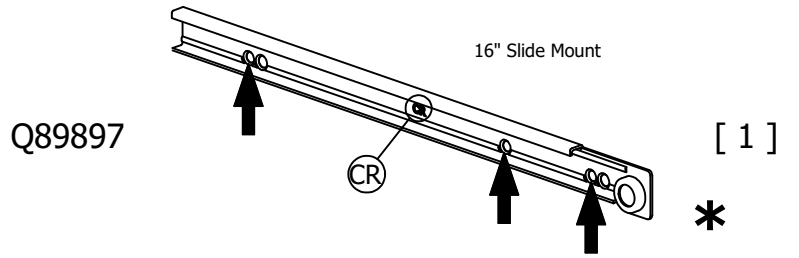
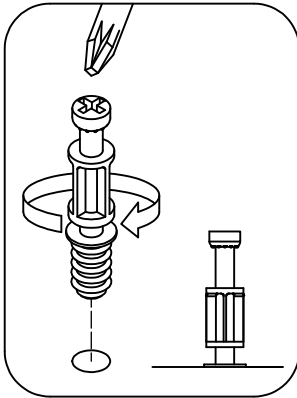


How to Separate and Install Drawer Slides

H28917  [3]
#6 x 1/2"

H101725  [3]
#6 x 1/2"

H72988  [2]
KD Bolt

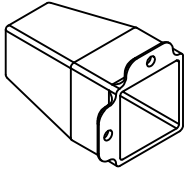


Have an assembly question or need a replacement part? Just call **1-800-950-4782**, we are here to help.

STEP 8

Prepare Panel

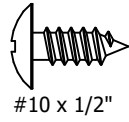
A186386G



Foot

[4]

H35251



[8]

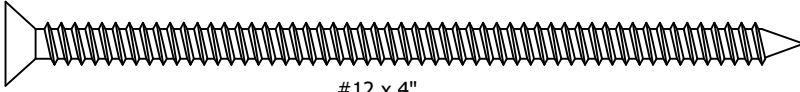
H72988



KD Bolt

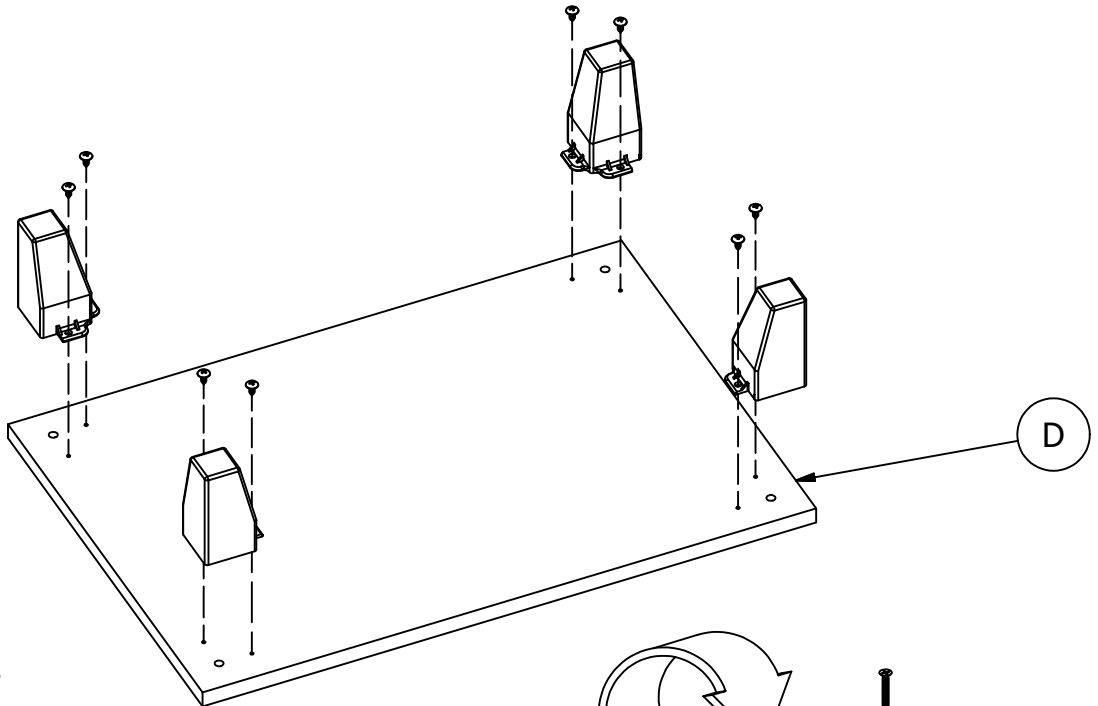
[5]

H143460

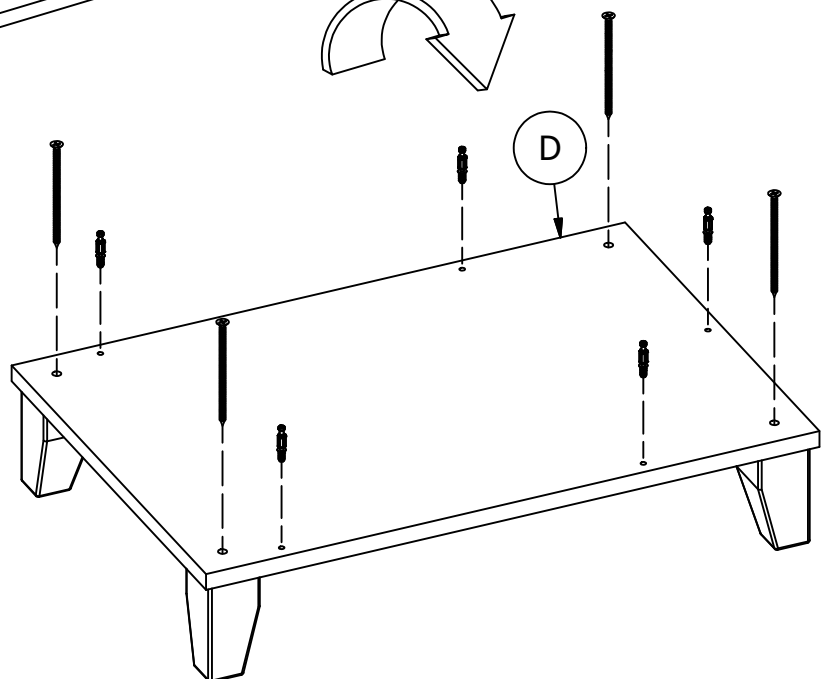
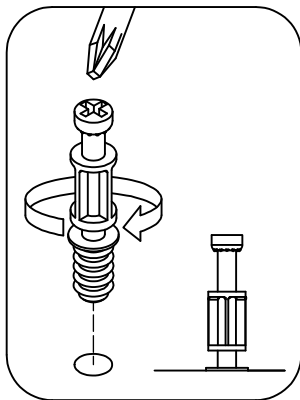


#12 x 4"

[4]



Flip panel over
Voltear el panel
Retournez le panneau



Have an assembly question or need a replacement part? Just call **1-800-950-4782**, we are here to help.

STEP 9

Assemble Panels

A186386G

Scan QR Code to Watch Video on:



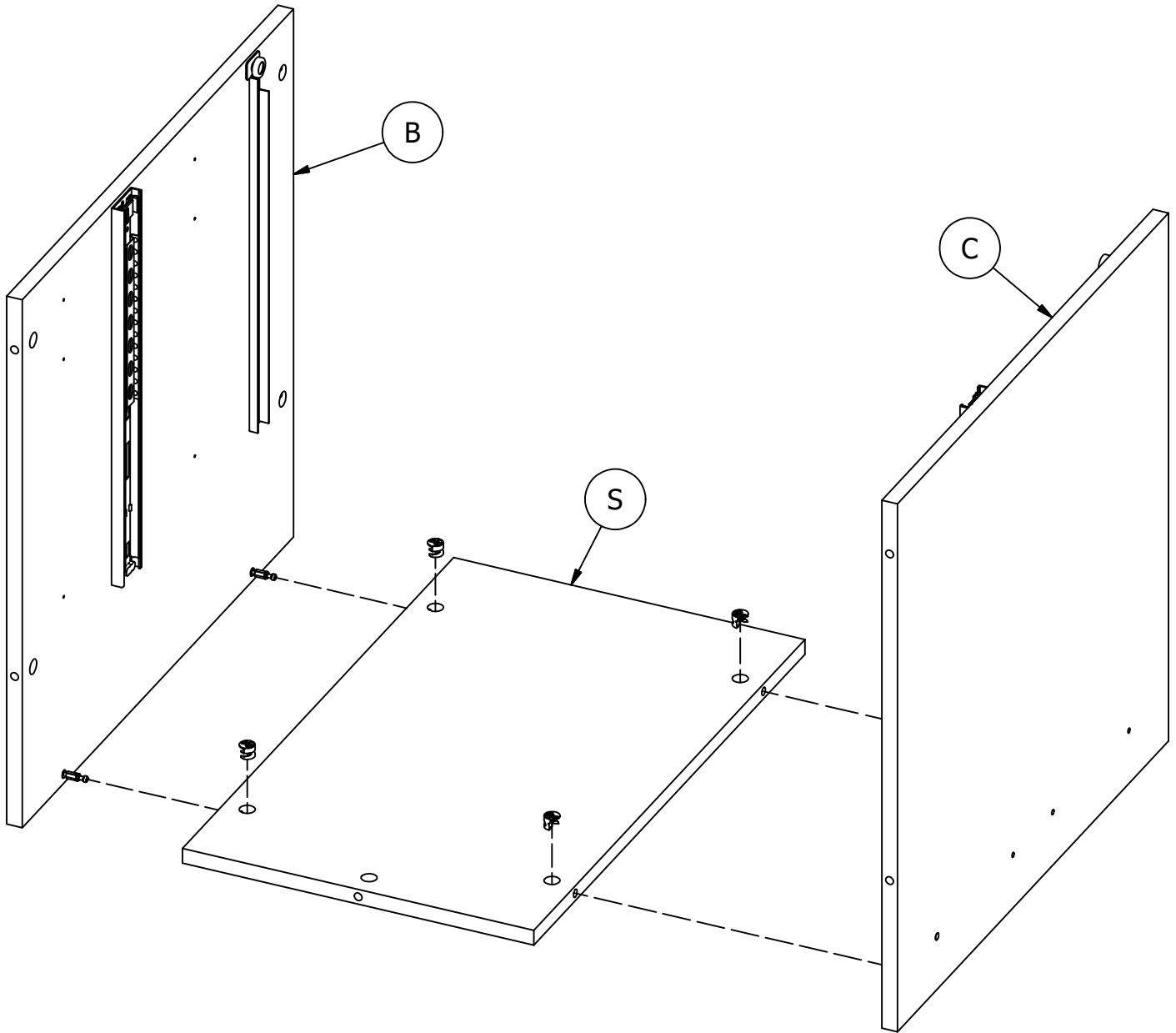
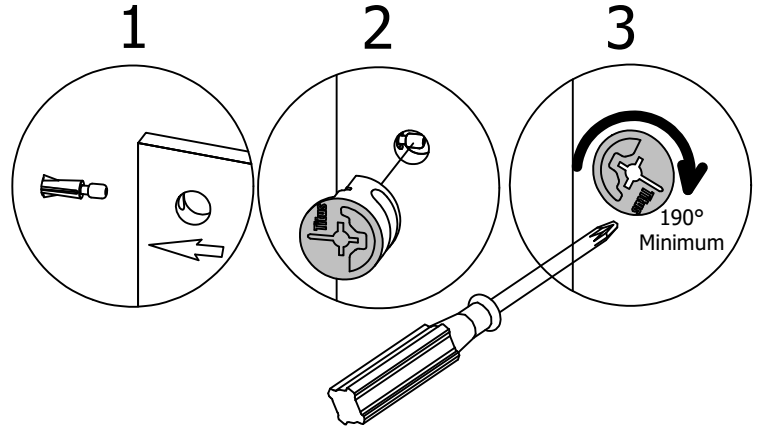
How to Tighten KD Cams

H181468US



KD Cam3000

[4]



Have an assembly question or need a replacement part? Just call **1-800-950-4782**, we are here to help.

STEP 10

Assemble Panels

A186386G

Scan QR Code to Watch Video on:

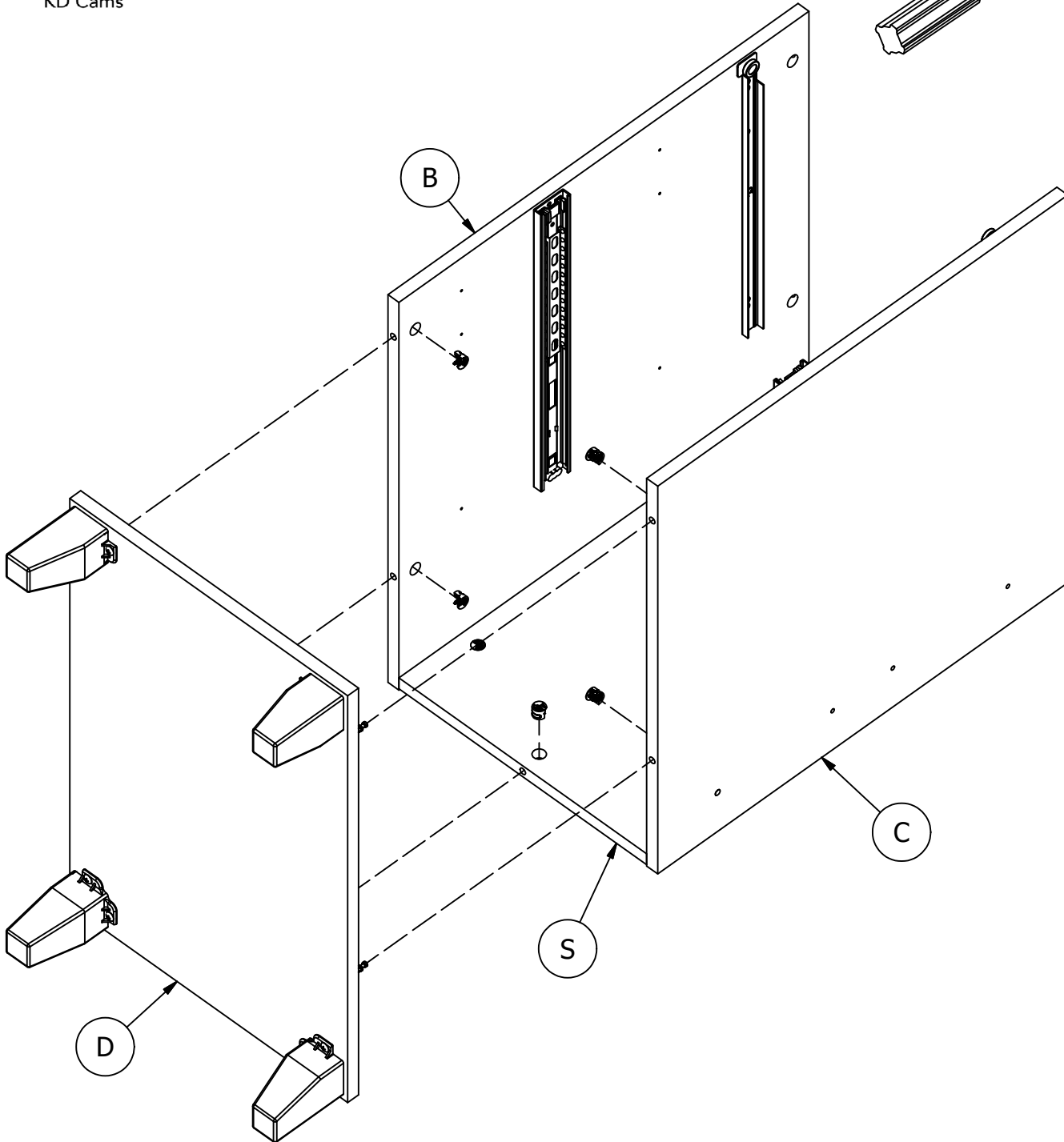
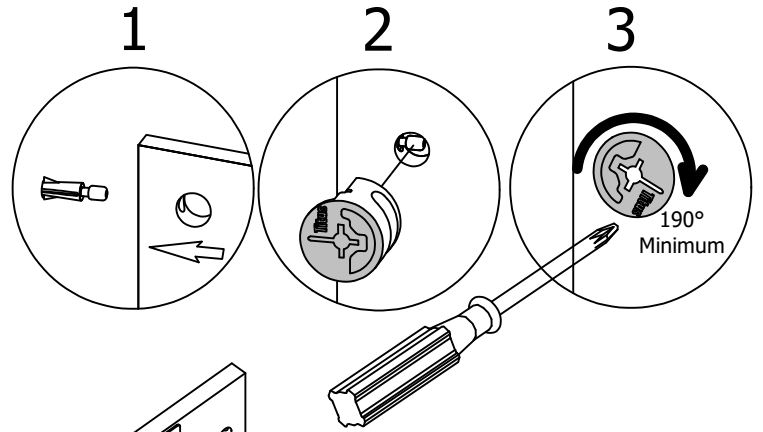


How to Tighten KD Cams

H181468US



[5]



Have an assembly question or need a replacement part? Just call **1-800-950-4782**, we are here to help.

STEP 11

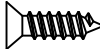
Prepare Panel

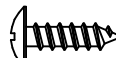
A186386G

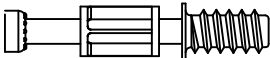
Scan QR Code to Watch Video on:

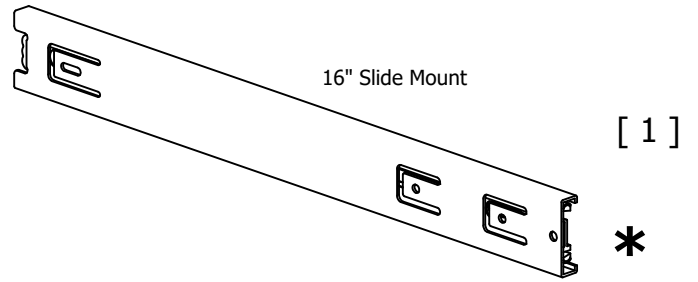
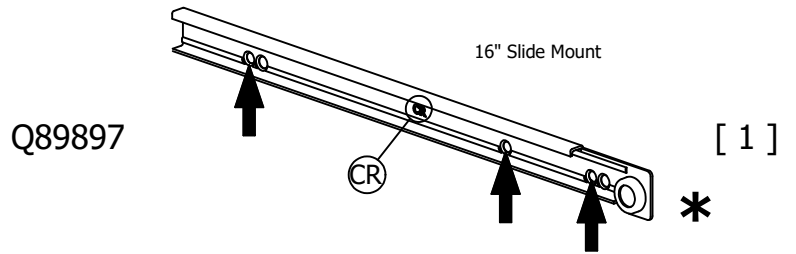
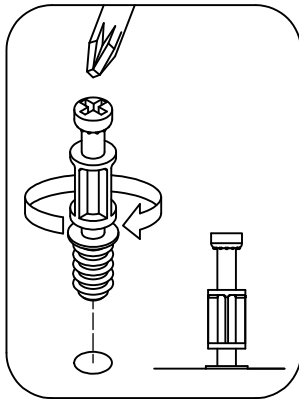


How to Separate and Install Drawer Slides

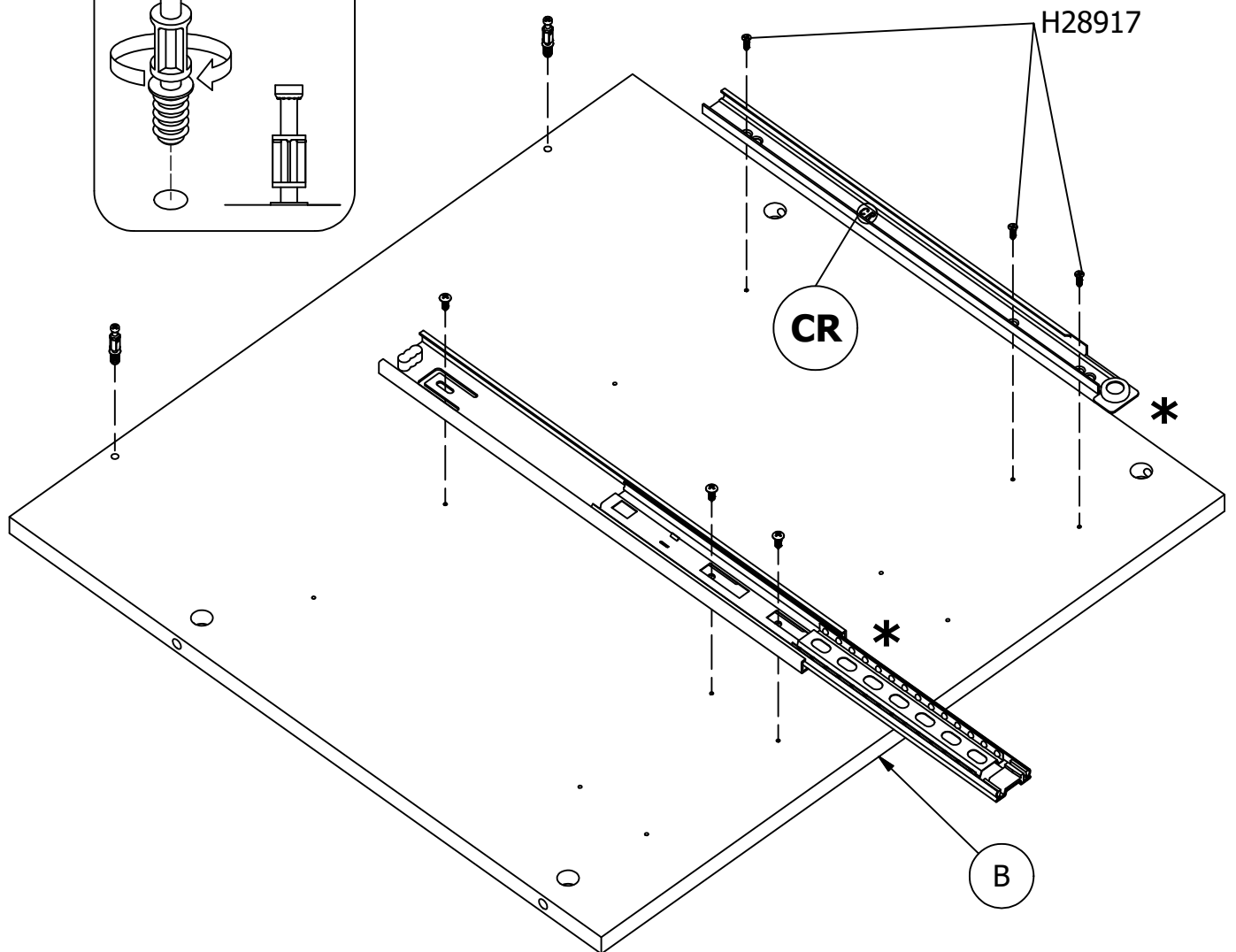
H28917  [3]
#6 x 1/2"

H101725  [3]
#6 x 1/2"

H72988  [2]
KD Bolt



Q162813



Have an assembly question or need a replacement part? Just call **1-800-950-4782**, we are here to help.

STEP 12


Prepare Panel


A186386G

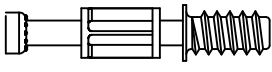
Scan QR Code to Watch Video on:



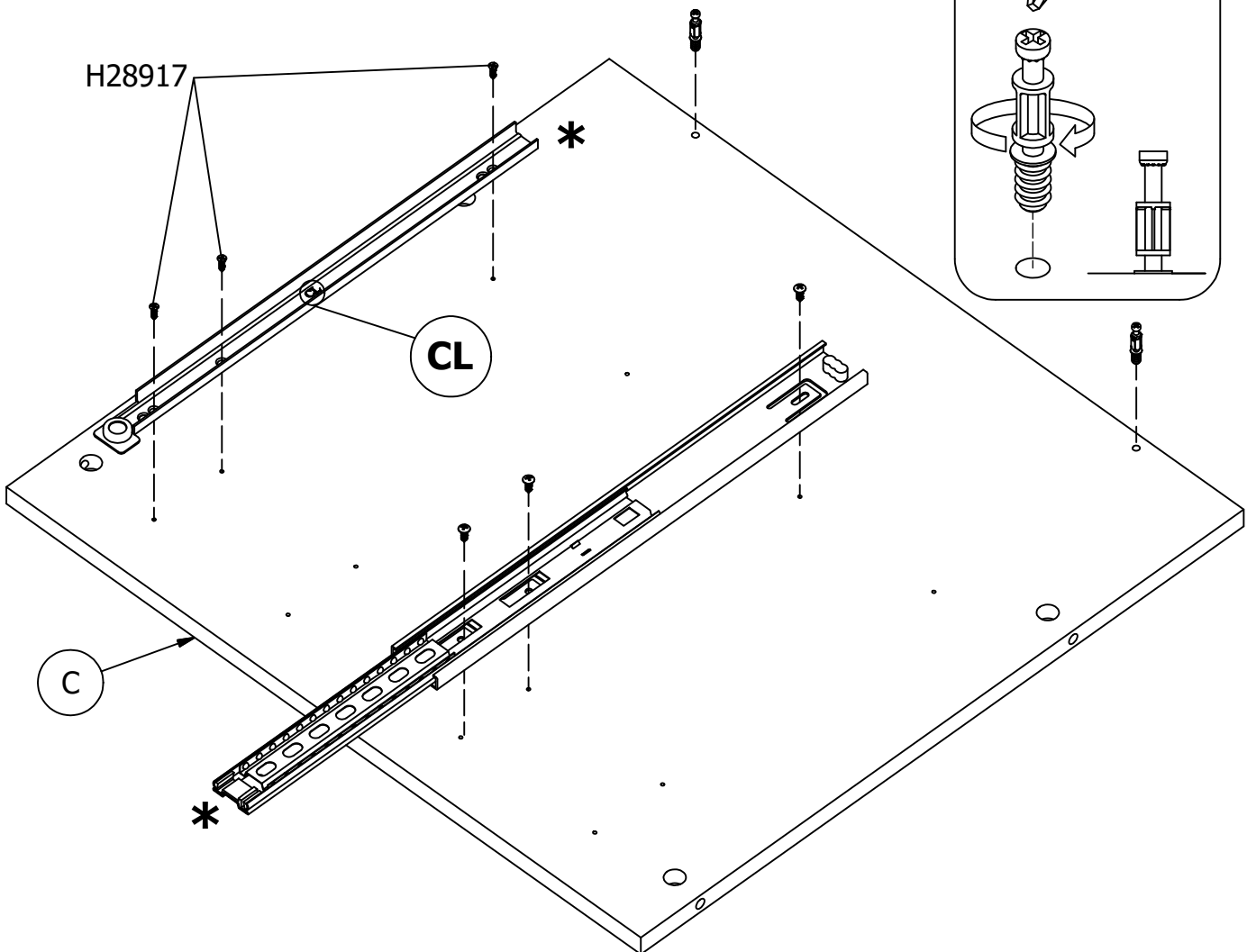
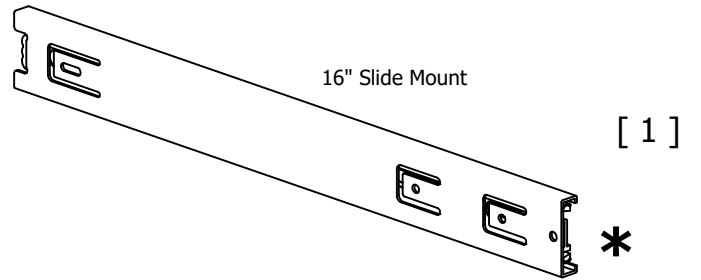
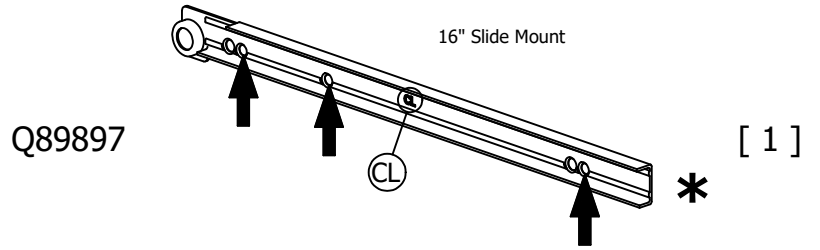
How to Separate and Install Drawer Slides

H28917  [3]
#6 x 1/2"

H101725  [3]
#6 x 1/2"

H72988  [2] KD Bolt

Q162813

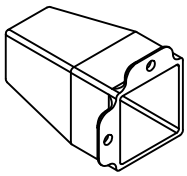


Have an assembly question or need a replacement part? Just call **1-800-950-4782**, we are here to help.

STEP 13

Prepare Panel

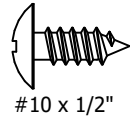
A186386G



[4]

Foot

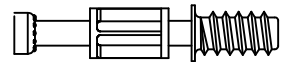
H35251



[8]

#10 x 1/2"

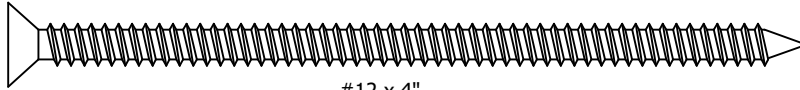
H72988



[5]

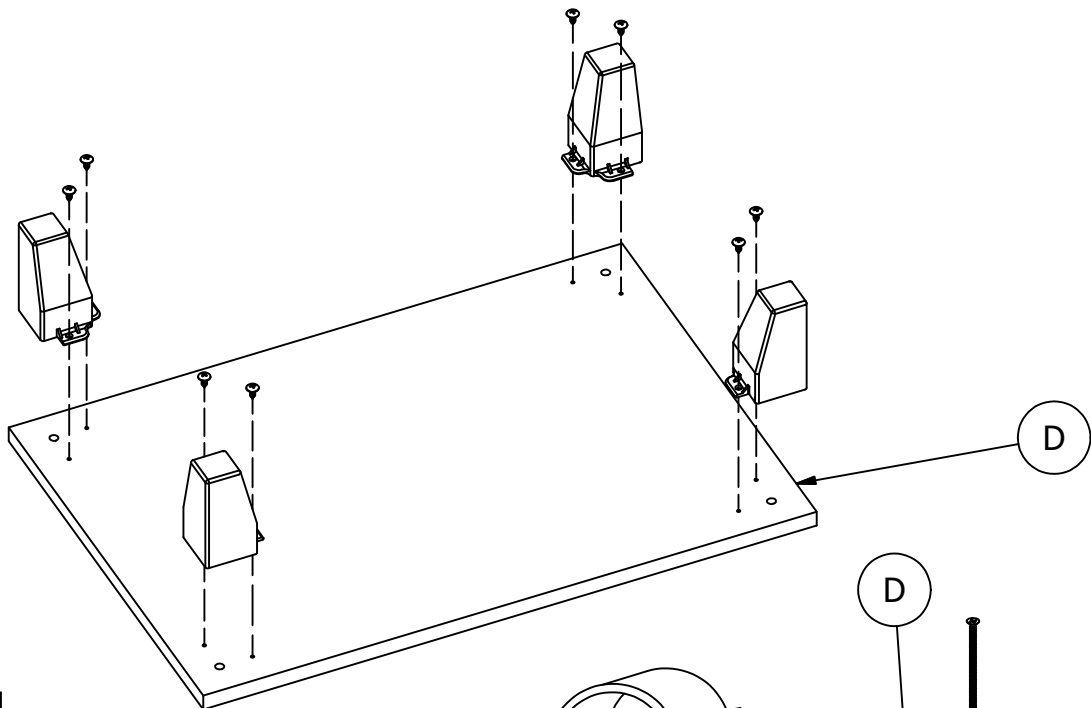
KD Bolt

H143460

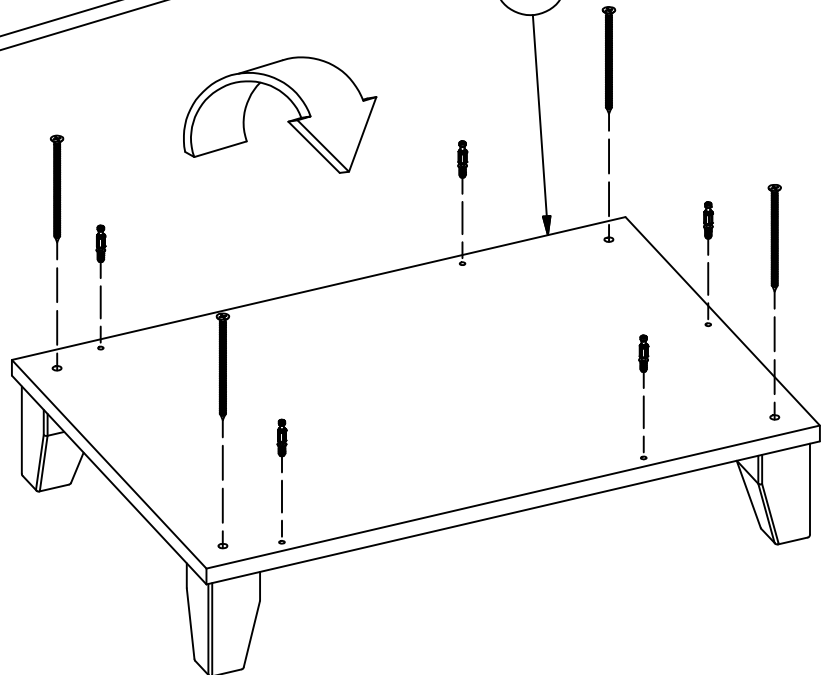
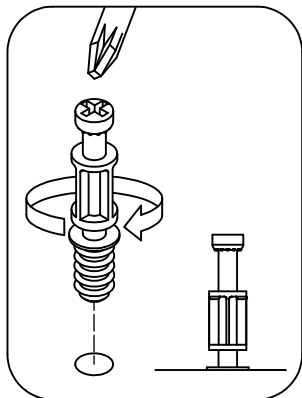


[4]

#12 x 4"



Flip panel over
Voltear el panel
Retournez le panneau



Have an assembly question or need a replacement part? Just call
1-800-950-4782, we are here to help.

STEP 14

Assemble Panels

A186386G

Scan QR Code to Watch Video on:

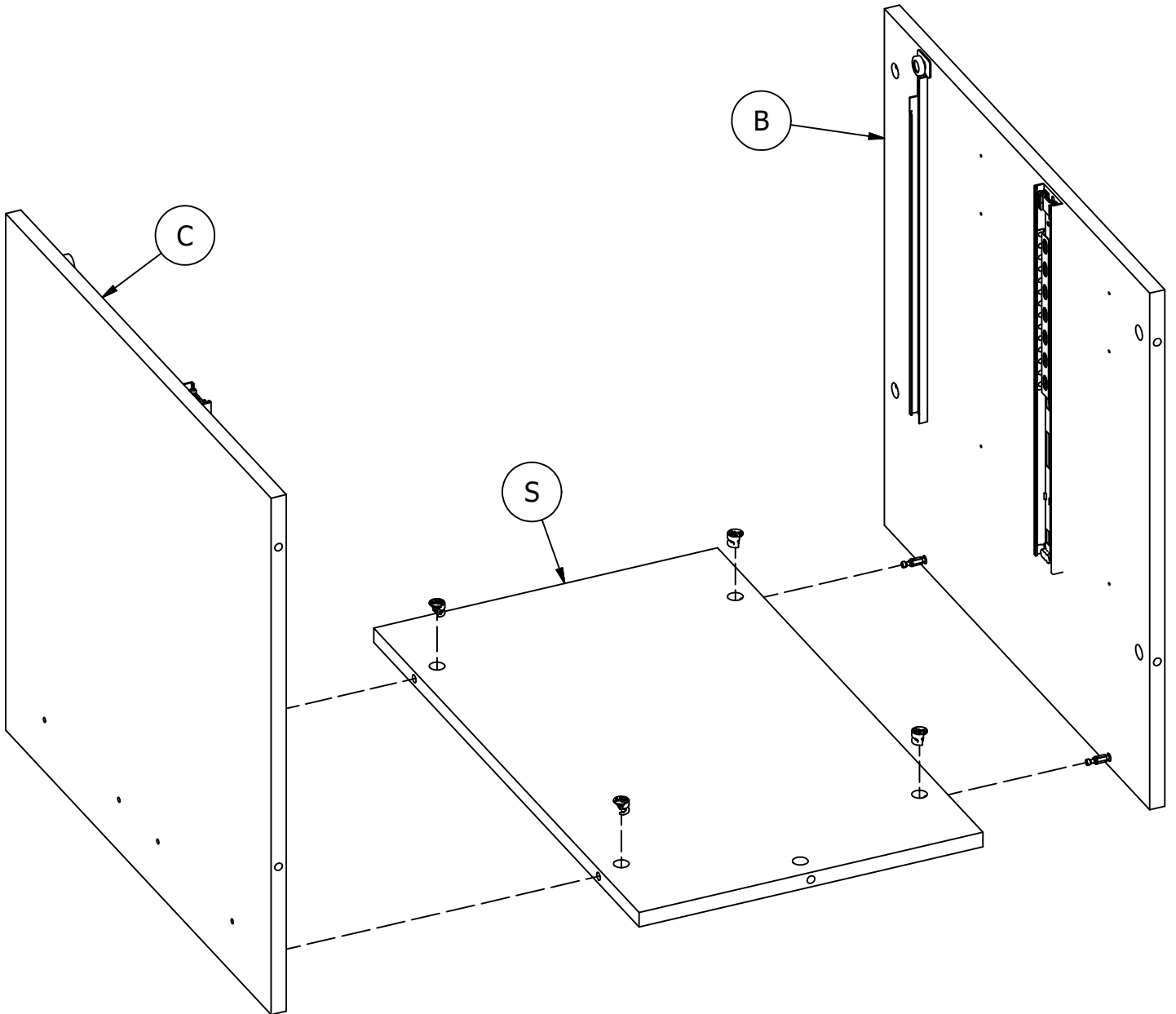
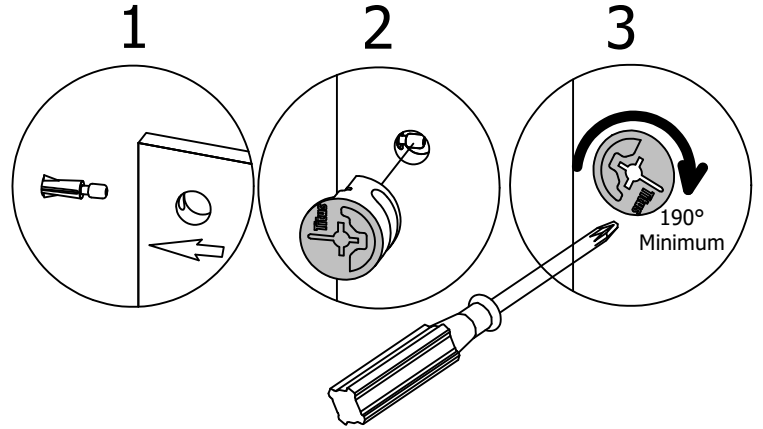


How to Tighten KD Cams

H181468US



[4]



Have an assembly question or need a replacement part? Just call **1-800-950-4782**, we are here to help.

STEP 15

Assemble Panels

A186386G

Scan QR Code to Watch Video on:

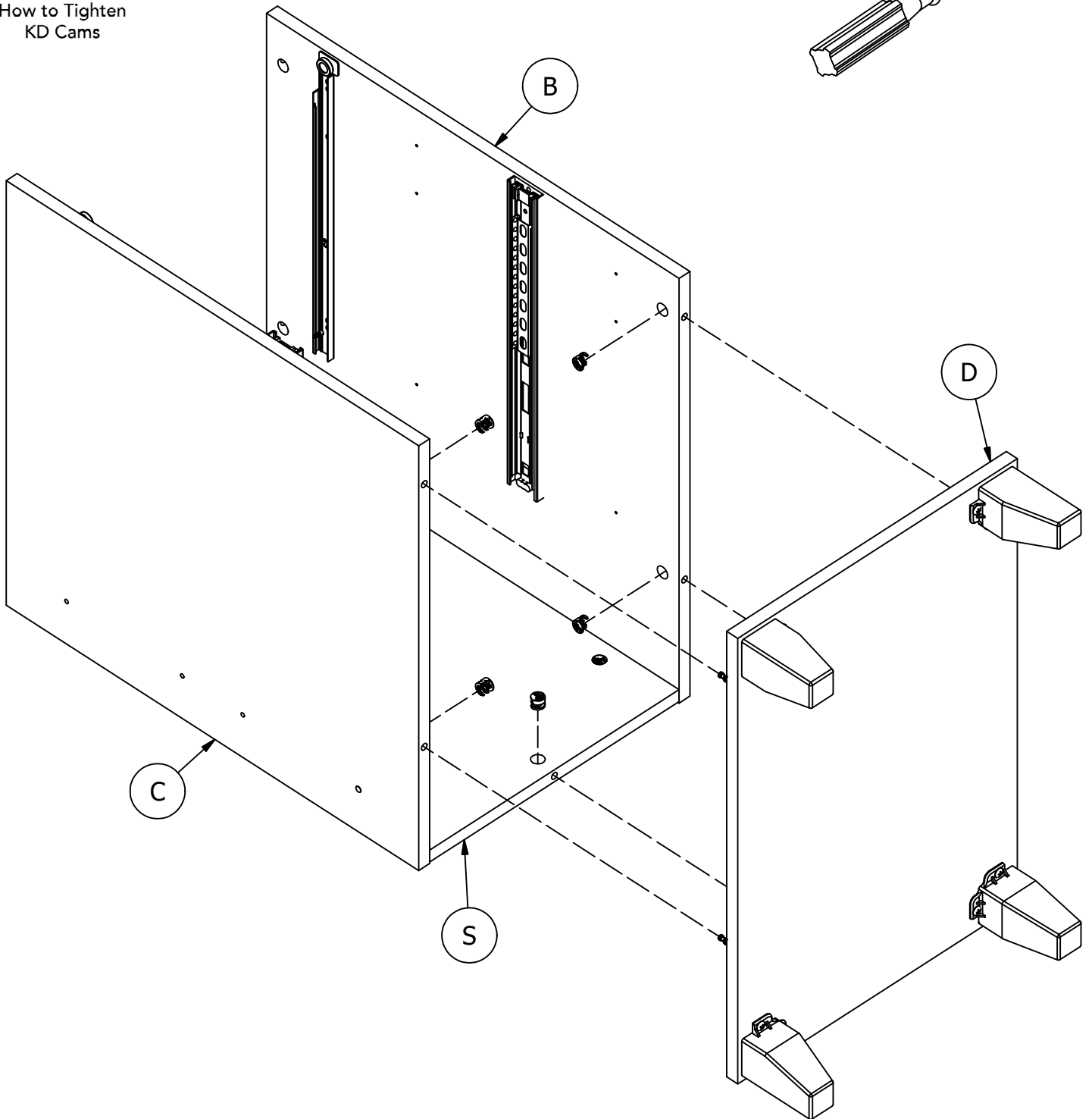
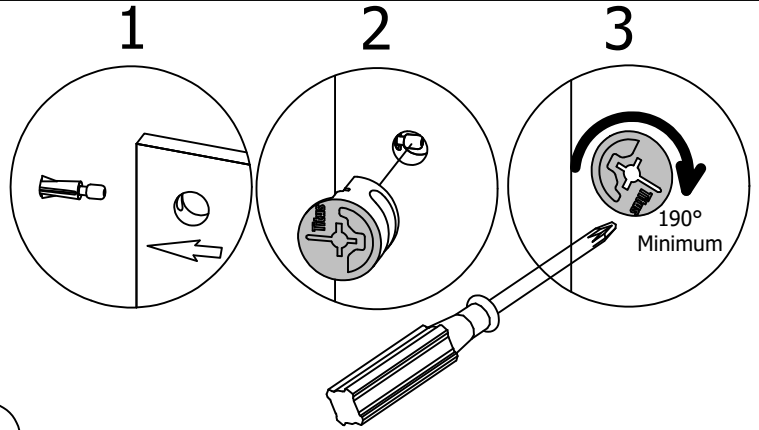


How to Tighten KD Cams

H181468US



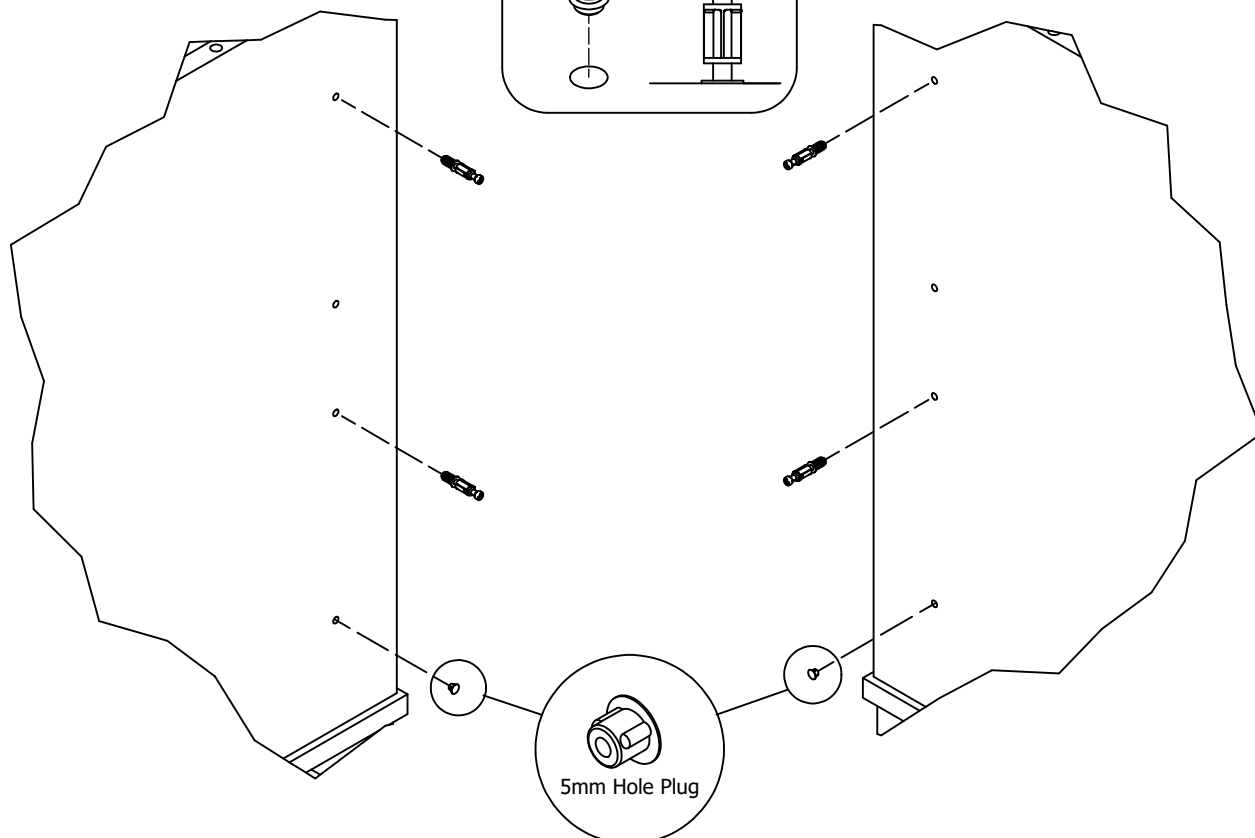
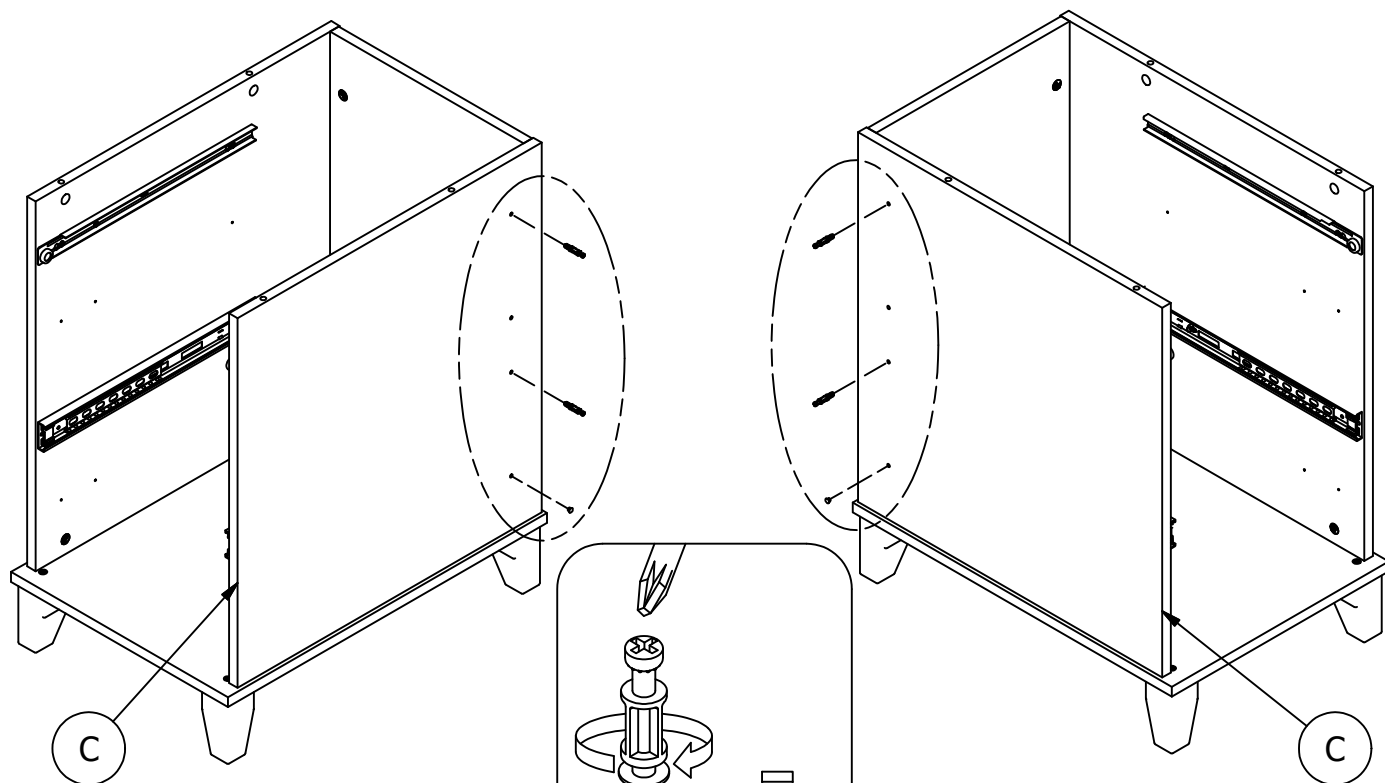
[5]



Have an assembly question or need a replacement part? Just call **1-800-950-4782**, we are here to help.

H72988 [4]
KD Bolt

[2]
5mm Hole Plug



Have an assembly question or need a replacement part? Just call
1-800-950-4782, we are here to help.

STEP 17

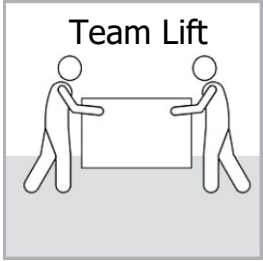
Assemble Panels

A186386G

Scan QR Code to Watch Video on:



How to Tighten KD Cams

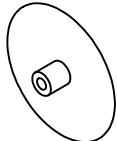


H181468US



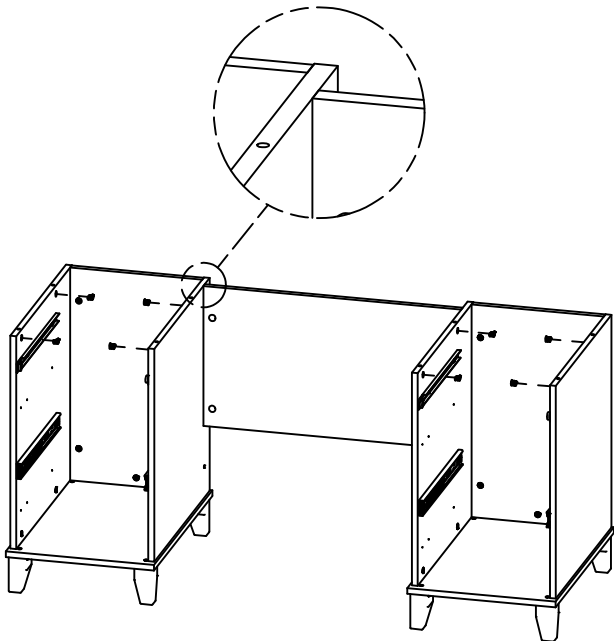
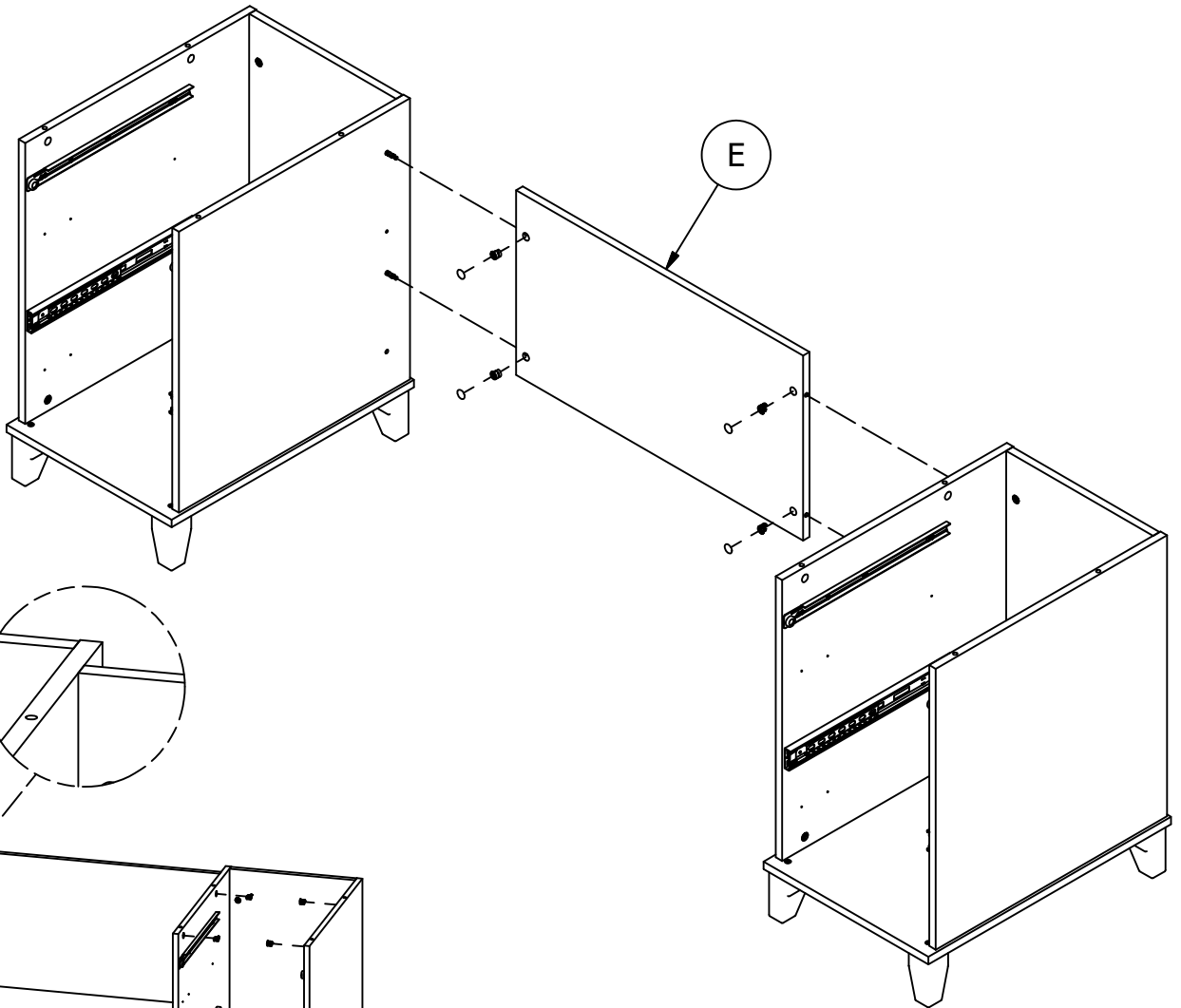
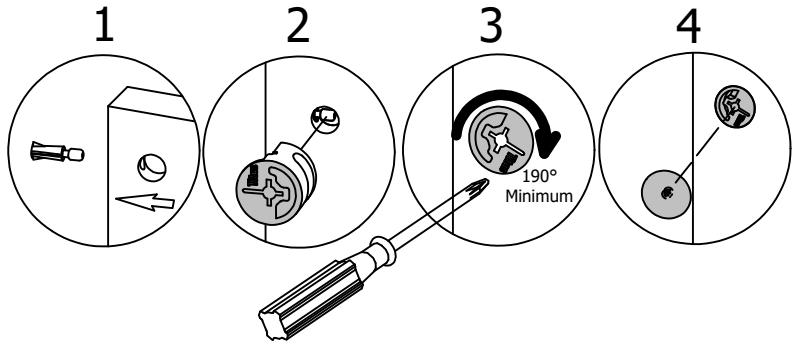
KD Cam3000

[4]



Cover Cap

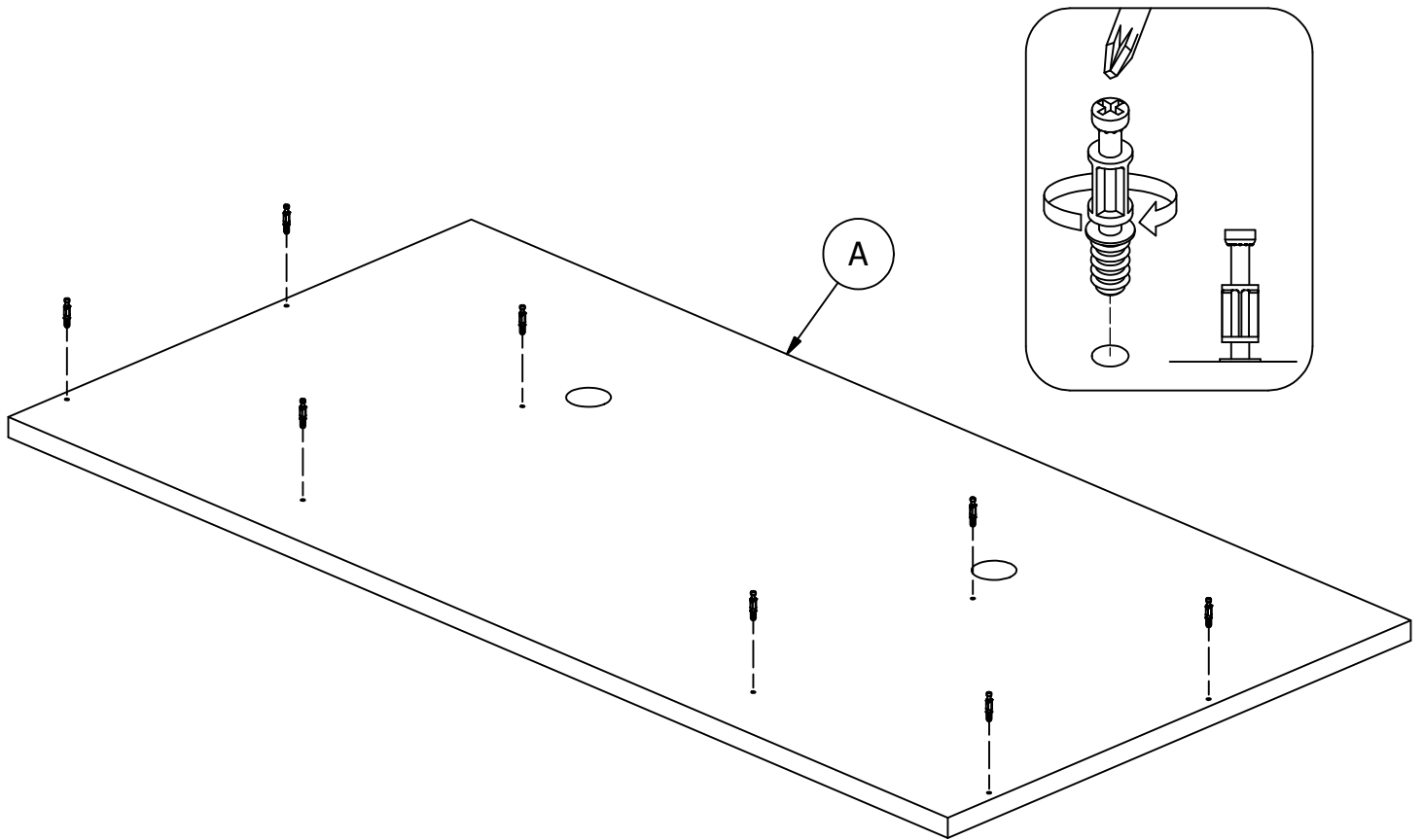
[4]



Finished view

Have an assembly question or need a replacement part? Just call **1-800-950-4782**, we are here to help.

H72988 [8]
KD Bolt



Have an assembly question or need a replacement part? Just call
1-800-950-4782, we are here to help.

STEP 19

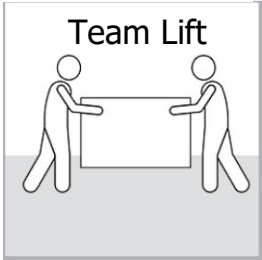
Assemble Panels

A186386G

Scan QR Code to Watch Video on:



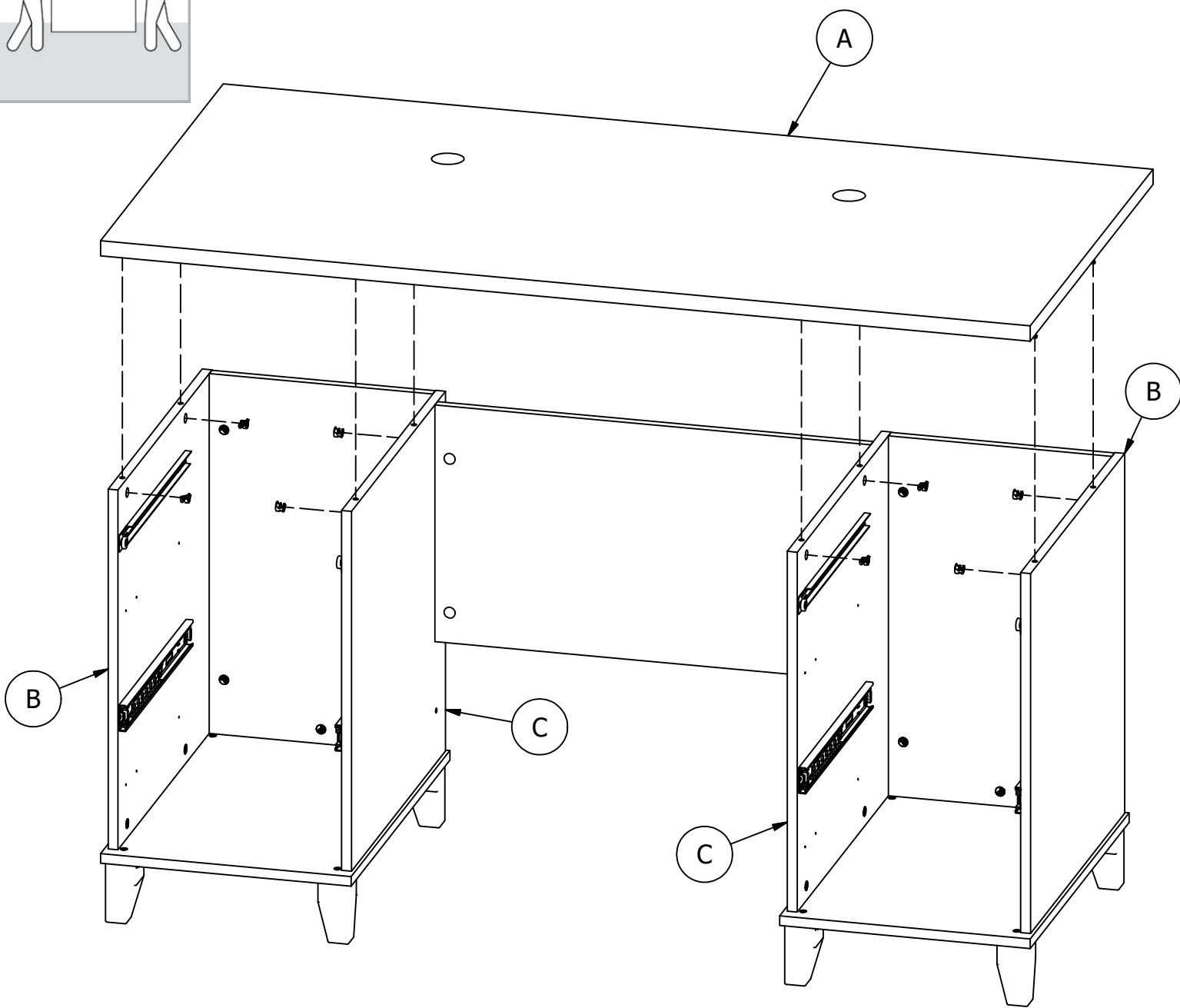
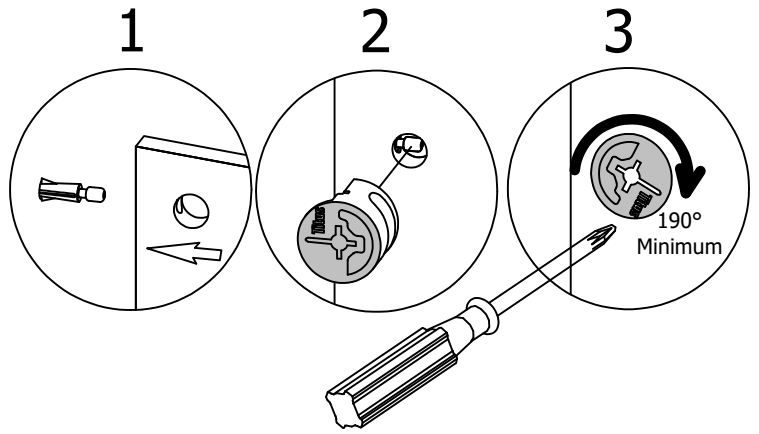
How to Tighten KD Cams



H181468US



[8]

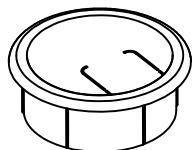


Have an assembly question or need a replacement part? Just call **1-800-950-4782**, we are here to help.

Scan QR Code to Watch Video on:

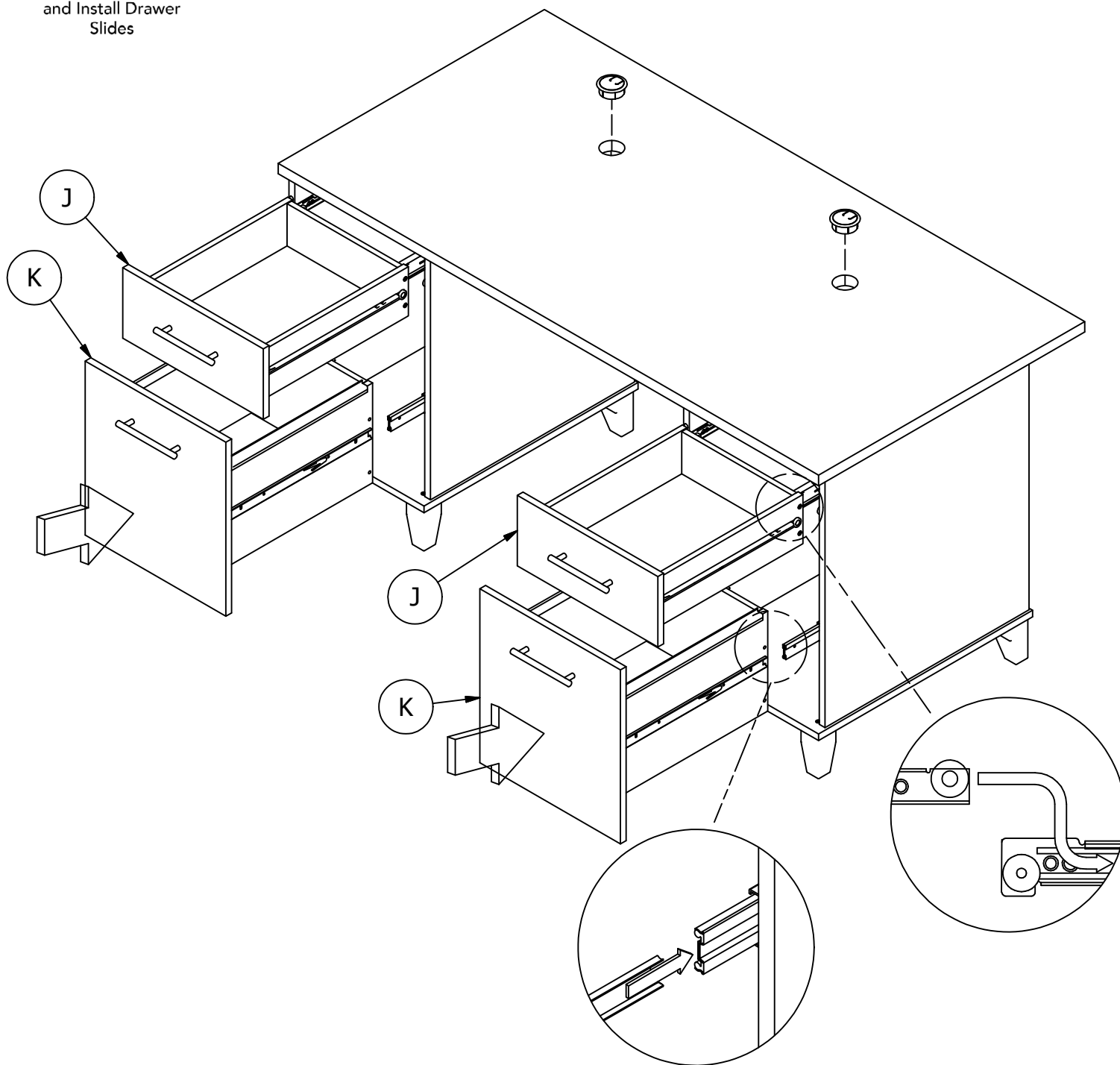


How to Separate and Install Drawer Slides



Grommet

[2]



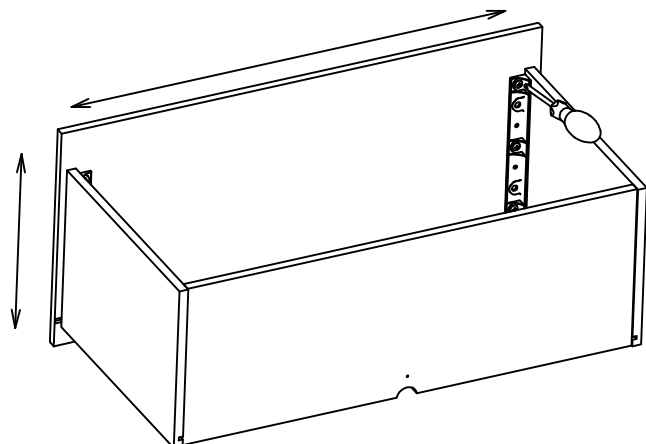
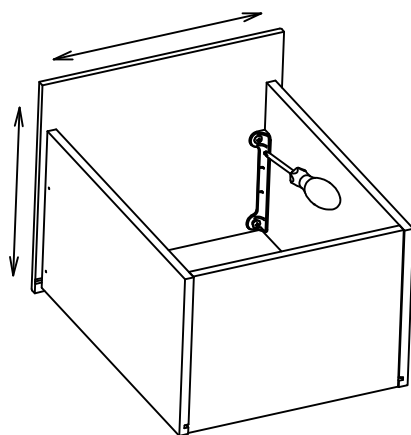
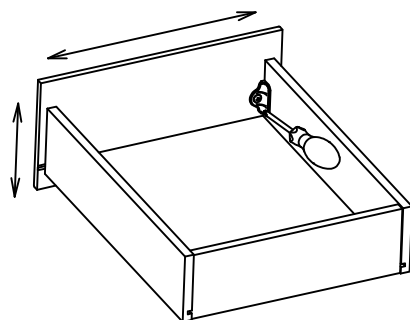
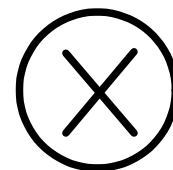
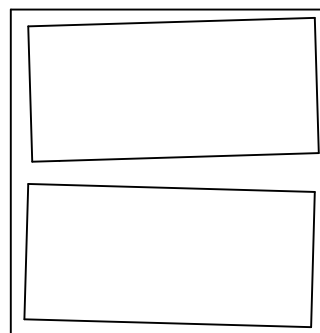
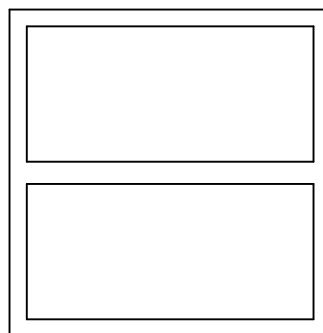
Have an assembly question or need a replacement part? Just call **1-800-950-4782**, we are here to help.

Scan QR Code to Watch Video on:



How to Adjust Drawer Fronts

DRAWER FRONT VIEW



REQUIRED TOOL: PHILLIPS SCREWDRIVER

HERRAMIENTA REQUERIDA: DESTORNILLADOR PHILLIPS
 OUTIL REQUIS: TOURNEVIS CRUCIFORME



1. LOOSEN SCREWS.
2. ADJUST DRAWER FRONTS.
3. TIGHTEN SCREWS.

1. Afloje los tornillos
2. Ajustar frentes de cajón
3. Apriete los tornillos

1. Desserrer les vis
2. Ajuster les façades des tiroirs
3. Serrer les vis

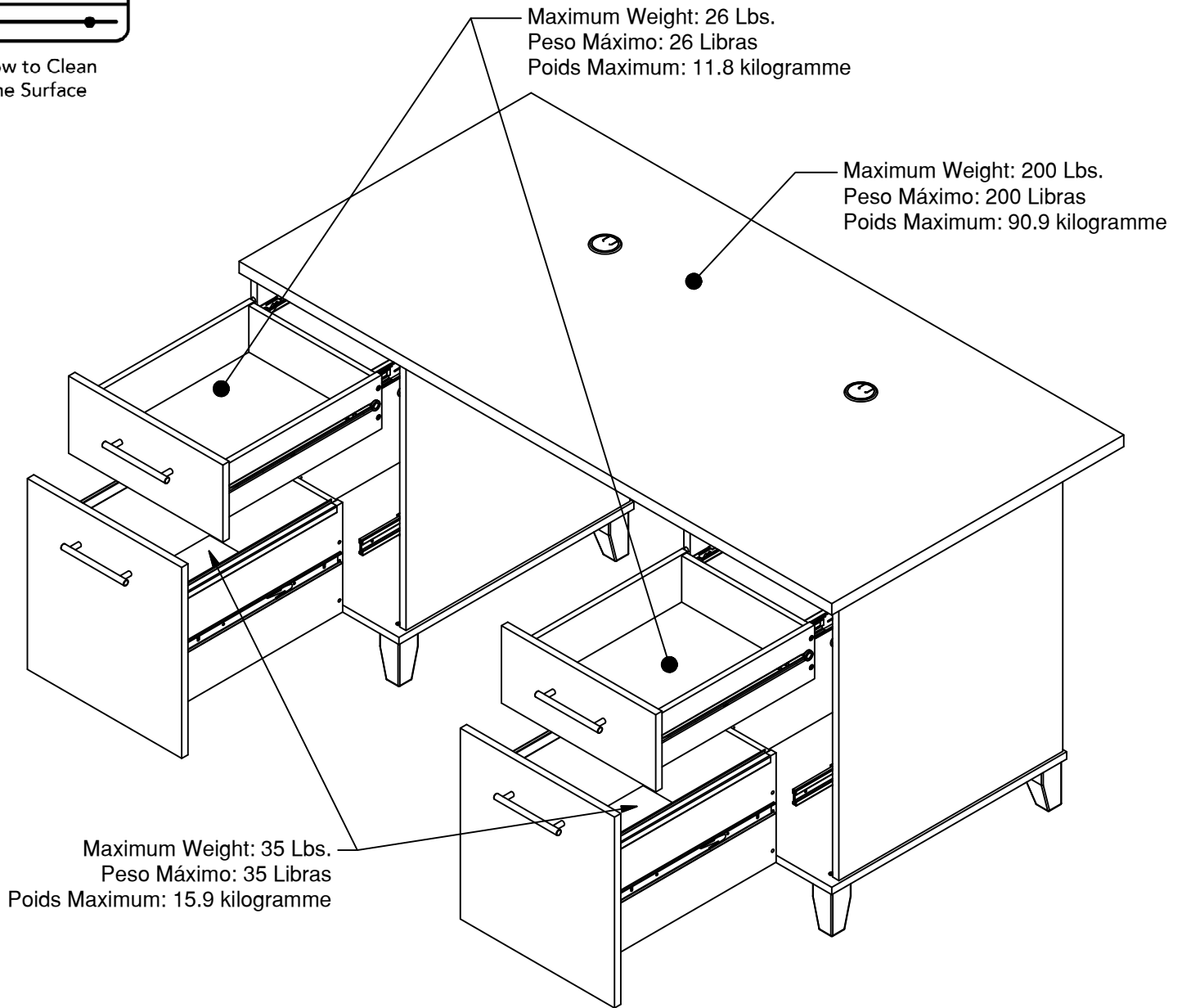
Have an assembly question or need a replacement part? Just call **1-800-950-4782**, we are here to help.

Scan QR Code to Watch Video on:



How to Clean the Surface

Gently clean surfaces with a damp sponge eraser.

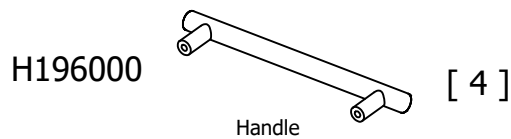
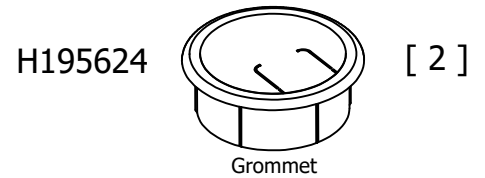
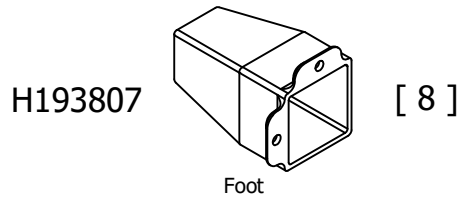


Congratulations! You are all done. If you have any questions or concerns, please call.

Have an assembly question or need a replacement part? Just call **1-800-950-4782**, we are here to help.

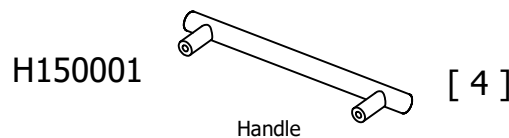
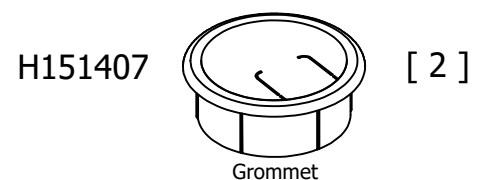
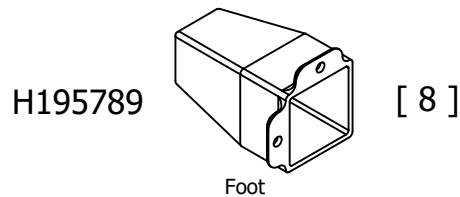
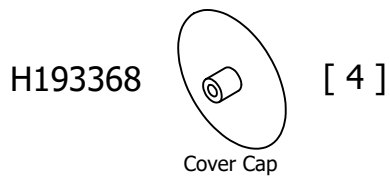
WC81028

A	W200551	[1]	H	W176195	[2]
B	W196078	[2]	J	W193859	[2]
C	W196079	[2]	K	W193860	[2]
D	W196080	[2]	L	W87410	[4]
E	W196081	[1]	M	W106489	[4]
F	W107685	[2]	S	W193878	[2]
G	W107681	[4]			



WC81128

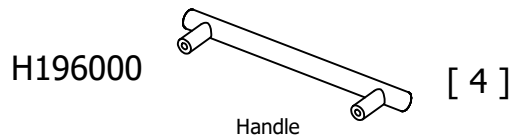
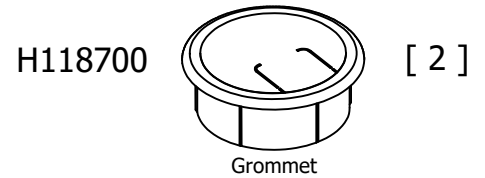
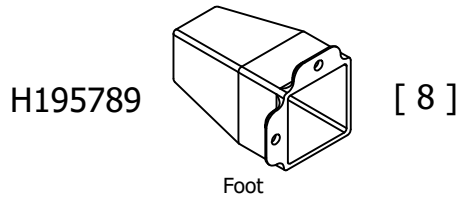
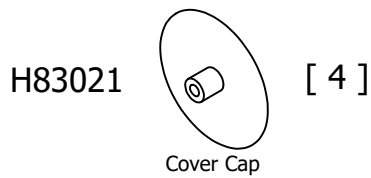
A	W200489	[1]	H	W176195	[2]
B	W200490	[2]	J	W200463	[2]
C	W200491	[2]	K	W200464	[2]
D	W200492	[2]	L	W87410	[4]
E	W200493	[1]	M	W106489	[4]
F	W107685	[2]	S	W200494	[2]
G	W107681	[4]			



Have an assembly question or need a replacement part? Just call
1-800-950-4782, we are here to help.

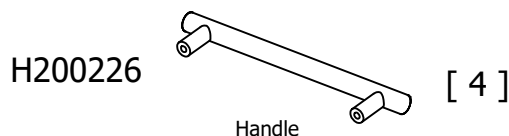
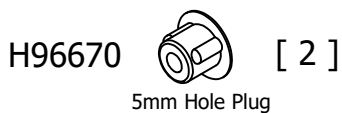
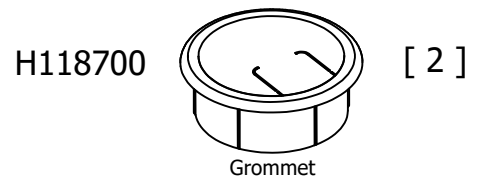
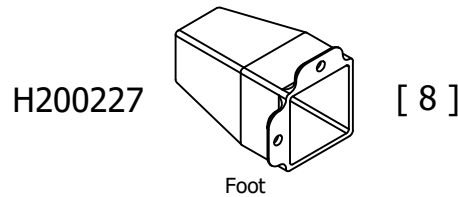
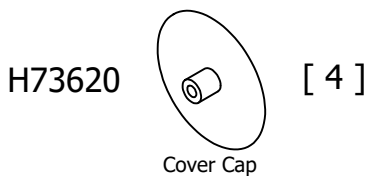
WC81228

A	W195870	[1]	H	W176195	[2]
B	W195871	[2]	J	W195844	[2]
C	W195872	[2]	K	W195845	[2]
D	W195873	[2]	L	W87410	[4]
E	W195874	[1]	M	W106489	[4]
F	W107685	[2]	S	W195875	[2]
G	W107681	[4]			



WC81328

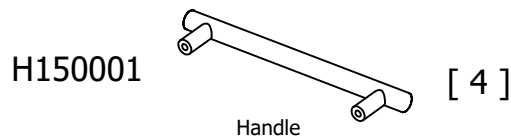
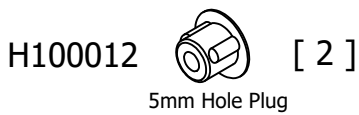
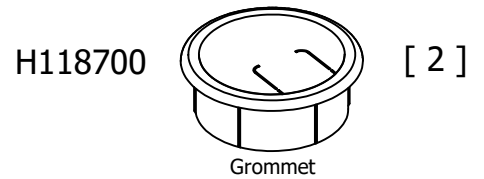
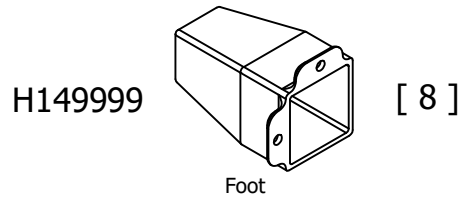
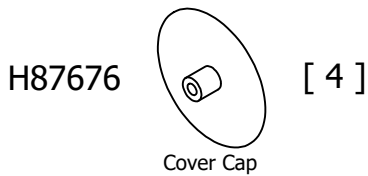
A	W200395	[1]	H	W176195	[2]
B	W200396	[2]	J	W200369	[2]
C	W200397	[2]	K	W200370	[2]
D	W200398	[2]	L	W87410	[4]
E	W200399	[1]	M	W106489	[4]
F	W107685	[2]	S	W200400	[2]
G	W107681	[4]			



Have an assembly question or need a replacement part? Just call
1-800-950-4782, we are here to help.

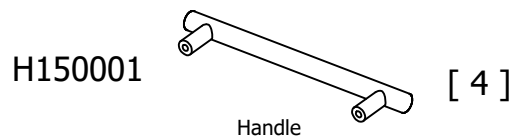
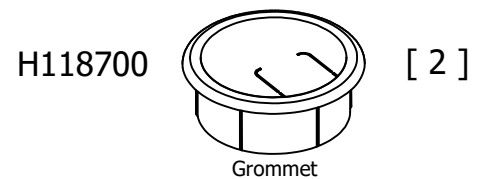
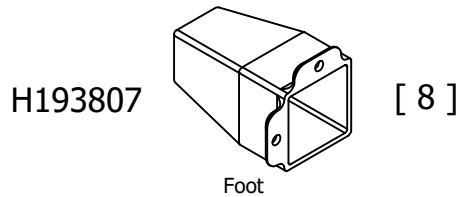
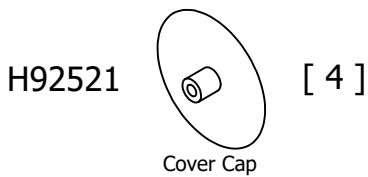
WC81428C

A	W187452	[1]	H	W176195	[2]
B	W187453	[2]	J	W187368	[2]
C	W187454	[2]	K	W187369	[2]
D	W187455	[2]	L	W87410	[4]
E	W187456	[1]	M	W106489	[4]
F	W107685	[2]	S	W187457	[2]
G	W107681	[4]			



WC81528

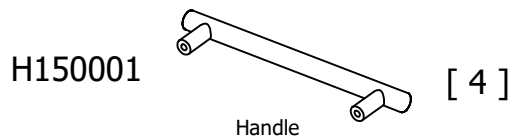
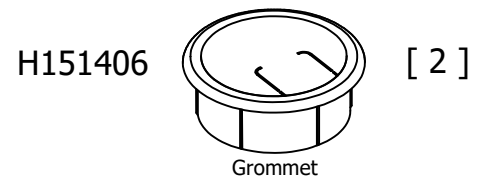
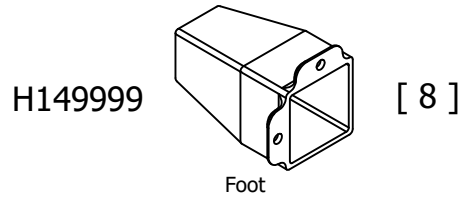
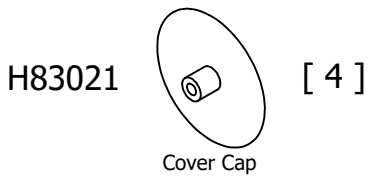
A	W193873	[1]	H	W176195	[2]
B	W193874	[2]	J	W193859	[2]
C	W193875	[2]	K	W193860	[2]
D	W193876	[2]	L	W87410	[4]
E	W193877	[1]	M	W106489	[4]
F	W107685	[2]	S	W193878	[2]
G	W107681	[4]			



Have an assembly question or need a replacement part? Just call
1-800-950-4782, we are here to help.

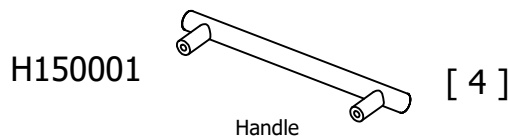
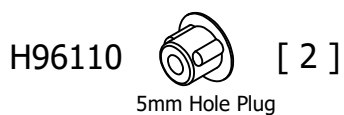
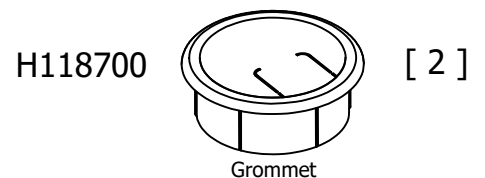
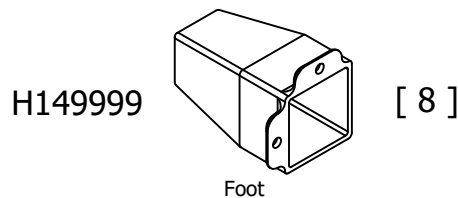
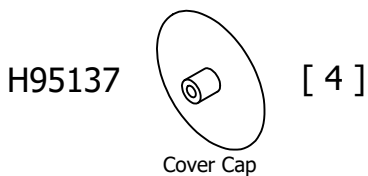
WC81628

A	W186381	[1]	H	W176195	[2]
B	W186382	[2]	J	W186355	[2]
C	W186383	[2]	K	W186356	[2]
D	W186384	[2]	L	W87410	[4]
E	W186385	[1]	M	W106489	[4]
F	W107685	[2]	S	W187470	[2]
G	W107681	[4]			



WC81728C

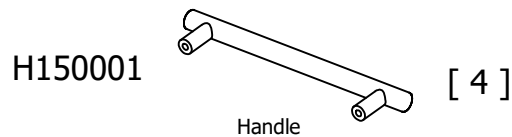
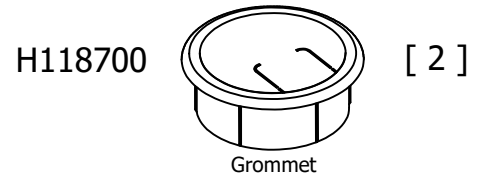
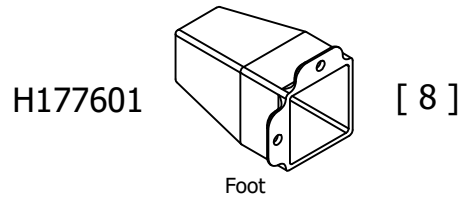
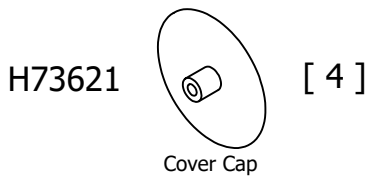
A	W187458	[1]	H	W176195	[2]
B	W187459	[2]	J	W187386	[2]
C	W187460	[2]	K	W187387	[2]
D	W187461	[2]	L	W87410	[4]
E	W187462	[1]	M	W106489	[4]
F	W107685	[2]	S	W187463	[2]
G	W107681	[4]			



Have an assembly question or need a replacement part? Just call
1-800-950-4782, we are here to help.

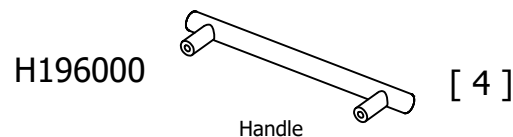
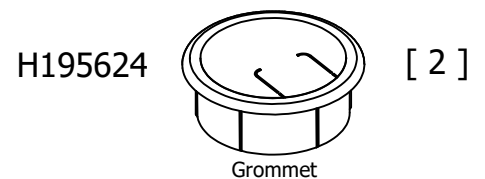
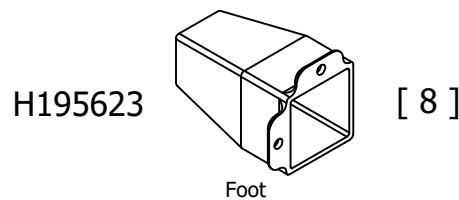
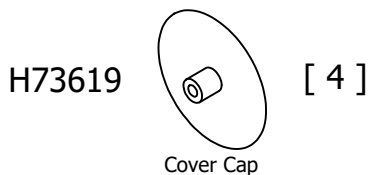
WC81828C

A	W187464	[1]	H	W176195	[2]
B	W187465	[2]	J	W187404	[2]
C	W187466	[2]	K	W187405	[2]
D	W187467	[2]	L	W87410	[4]
E	W187468	[1]	M	W106489	[4]
F	W107685	[2]	S	W187469	[2]
G	W107681	[4]			



WC81928

A	W196077	[1]	H	W176195	[2]
B	W196078	[2]	J	W196051	[2]
C	W196079	[2]	K	W196052	[2]
D	W196080	[2]	L	W87410	[4]
E	W196081	[1]	M	W106489	[4]
F	W107685	[2]	S	W196082	[2]
G	W107681	[4]			



Have an assembly question or need a replacement part? Just call
1-800-950-4782, we are here to help.