

**OVERVIEW**

Low voltage 2-Channel WallPods are nLight-enabled dual toggle switches that provide a user with local on/off control of two channels within a lighting zone. These single gang decorator style devices use innovative finger-touch control instead of mechanical push-buttons or rockers. WallPods communicate with other nLight devices via a CAT-5e cable that connects to one of its two RJ-45 connectors. A 2-Channel WallPod can signal two relays located within nLight power packs and/or line voltage sensors to provide toggle switch operation of two lighting circuits.

**FEATURES**

- Communicates w/ nLight network
- Finger-touch control
- Remotely configurable/upgradable
- Two On/Off buttons per unit
- Multiple switch broadcast channels

**SPECIFICATIONS**

Size: 2.74" H x 1.68" W x 1.63" D  
 Weight: 2 oz  
 Mounting: Single gang switch box or low voltage ring  
 Network connection: (2) RJ45 ports  
 Power consumption: <3 mA  
 Dimming load: Sinks < 20mA; ~40 Ballasts @ .5mA each  
 Wires: None

**Warranty**

Three-year limited warranty. Complete warranty terms located at:  
[www.acuitybrands.com/CustomerResources/Terms\\_and\\_conditions.aspx](http://www.acuitybrands.com/CustomerResources/Terms_and_conditions.aspx)

**Note:** Actual performance may differ as a result of end-user environment and application. Specifications subject to change without notice.



nLight®

*nPOD 2P*  
 Wallpod: 2-Channel  
 On/Off Low Voltage



**ORDERING INFORMATION**

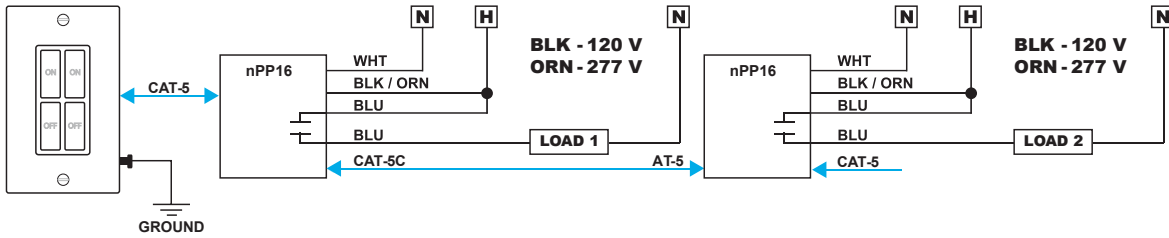
nPOD 2P		Example: nPOD 2P WH	
Series		Color	
nPOD 2P	Wallpod: 2-Channel On/Off Low Voltage	WH	White

# WIRING

## TYPICAL WIRING

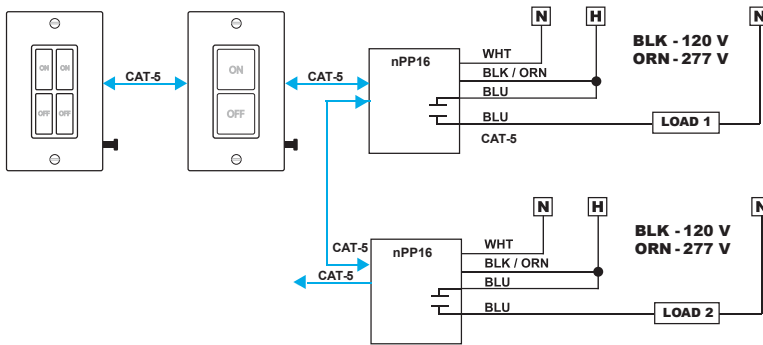
Power to WallPod device is provided via the CAT-5e connection to an nLight power pack/supply or Bridge. T568B pin/pair assignment is recommended for all CAT-5e cables.

### ON/OFF

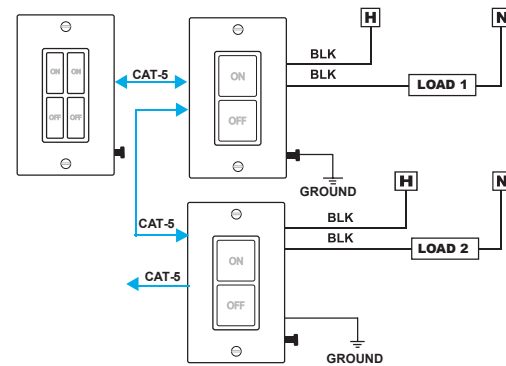


## 3-WAY CONFIGURATION WIRING

### LOW VOLTAGE WALLPODS ONLY



### LOW AND LINE VOLTAGE WALLPODS



## INSTALLATION

- Mount WallPod using holes that align with standard single gang switch box or low voltage ring.
- Connect green screw to ground.
- Access RJ-45 ports by sliding trapdoor up.
- Insert CAT-5 cable(s) through opening and route out through cutouts in rear of WallPod.
- Secure cable(s) by sliding trapdoor back into original place
- Interconnect unit with other nLight devices in lighting zone using CAT-5 cables.
- Once power is received via CAT-5 connection, all devices in zone will automatically begin functioning together according to each device's defaults.

**Attention! Only use non-booted CAT5e cables.**

