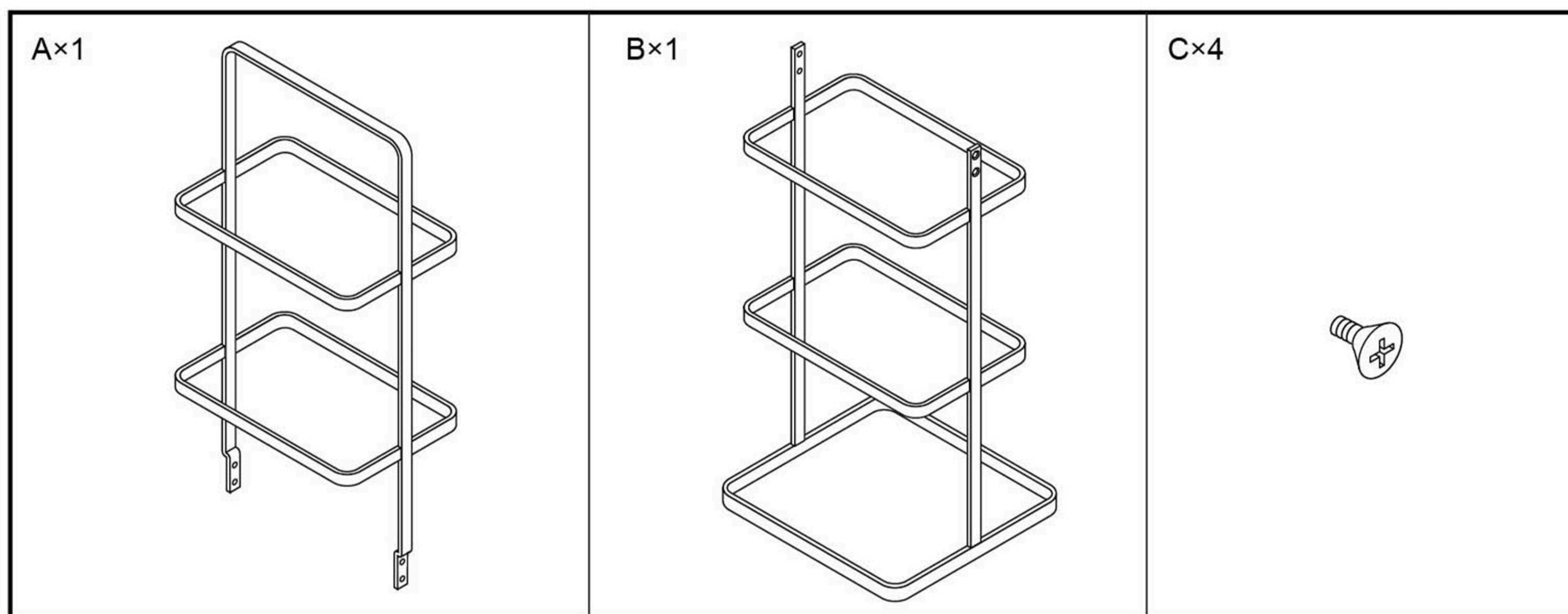


# SHOE STAND

Thank you for purchasing this product. Please read the instructions carefully before use to ensure safe and satisfactory operation of this product.

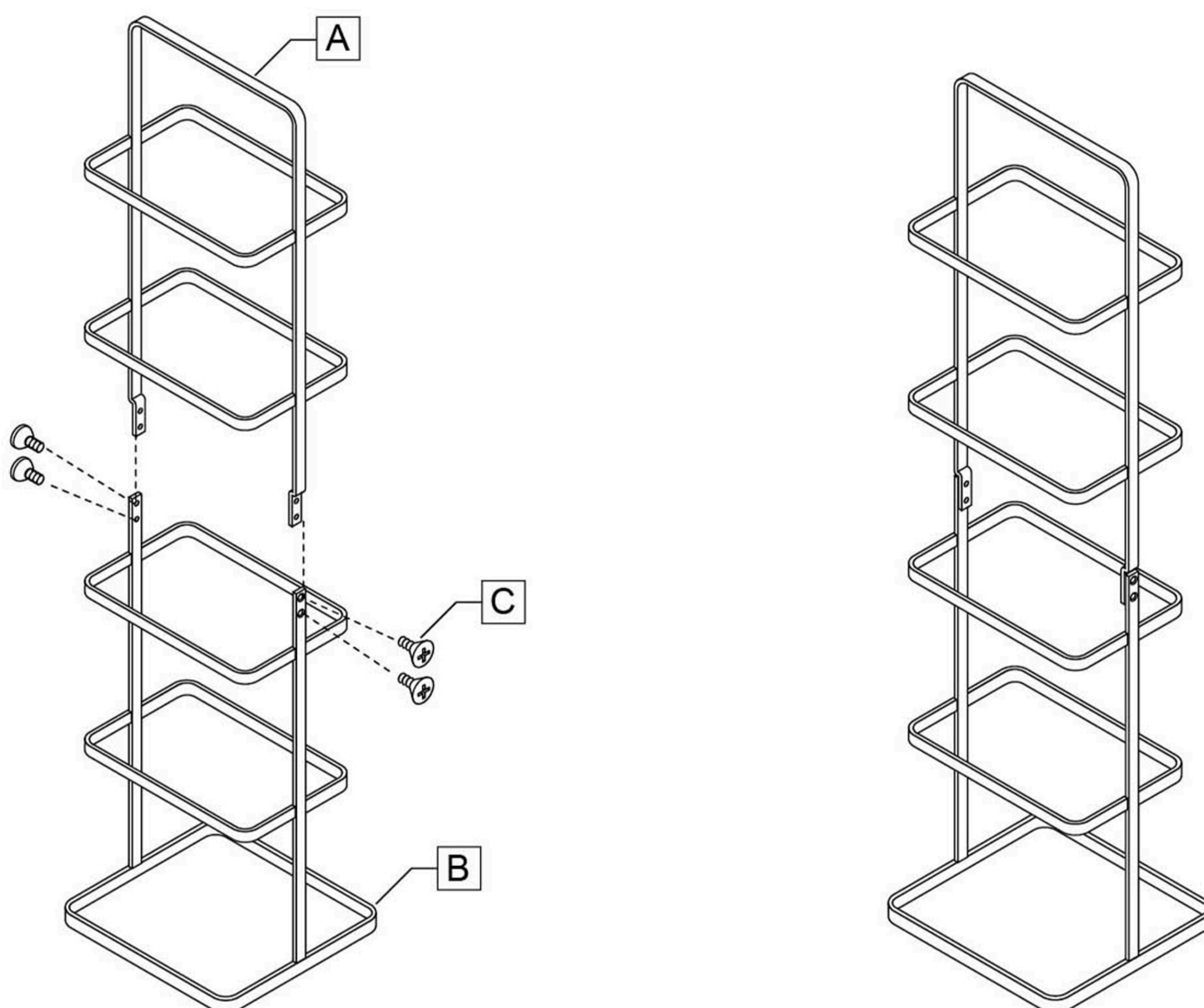
## Pack contents

Please check you have all the parts before beginning assembly.



## Fitting instructions

Assemble as per the diagram below.



## WARNING!

Max loading weight 1kgs×5

The fittings pack contains small items which should be kept away from young children.

## Care and maintenance

Wipe clean with a soft, damp cloth. Do not use scourers or cleaning agents containing abrasives. (such as powder cleaners), as this will damage the surface finishes.