

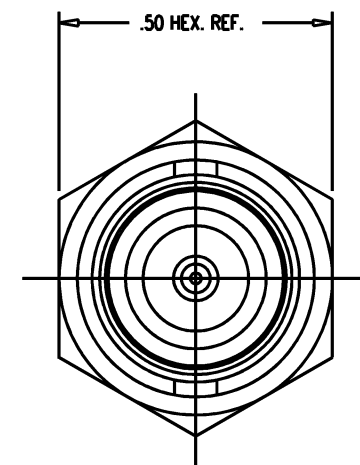
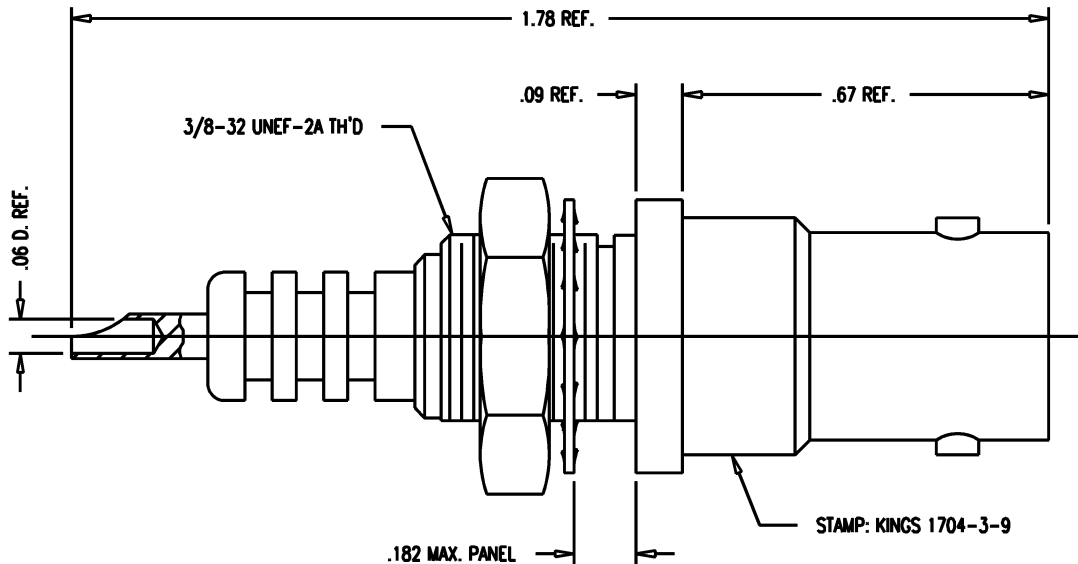
DASH NO.	M CODE	MADE FROM
----------	--------	-----------

# GSD

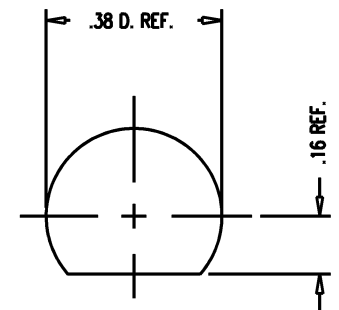
### REVISIONS

ISSUE	CHANGES
0	ER 36253 ME 04/27/95

1704-3-9



- NOTES:**
1. INTERFACE PER MIL-STD-348, FIG. 314-1.
  2. MATERIALS:  
 INSULATOR: TEFLON, ASTM-D-4894  
 LOCKWASHER: PHOSPHOR BRONZE, ASTM-B-103  
 ALL OTHER METAL PARTS: BRASS, ASTM-B16
  3. FINISHES:  
 CENTER CONTACT: GOLD PLATE PER MIL-G-45204  
 ALL OTHER METAL PARTS: KINGS TARNISH RESISTANT NICKEL FINISH (TR-5)
  4. ELECTRICAL CHARACTERISTICS:  
 NOMINAL IMPEDANCE: NON-CONSTANT  
 VOLTAGE RATING: 3500 VOLTS RMS  
 6000 VOLTS DC



MOUNTING HOLE

# GSD

QGS0161

SCALE 4:1

APPROX SURFACE AREA

USED ON

REF:

RECEPTACLE, PANEL, SHV, F

DRAWN	ME	04/27/95
DESIGN	AR	04/27/95
APPR.	VLS	04/28/95

**KINGS**  
ELECTRONICS CO., INC.  
TUCKAHOE, NEW YORK 10707

1704-3-9