

ITEM #82262

Mission Oak Slatted Mantel Height
3-Shelf Bookcase with Drawer

Leick
Home
SINCE 1910

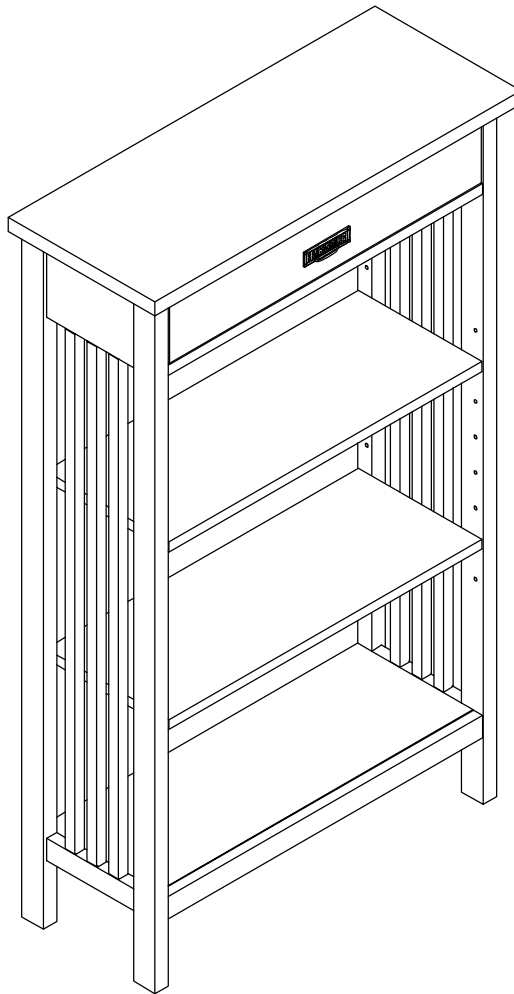
2219 S. 19th St.

Sheboygan, WI 53081


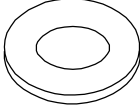
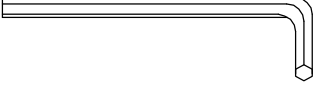
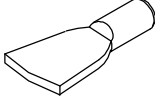
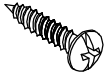
Ph: 920-451-4060

Fax: 920-451-4063

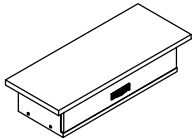
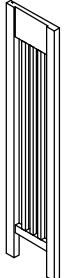
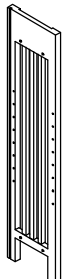
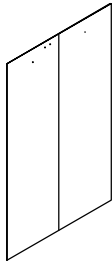
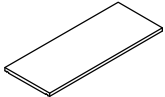
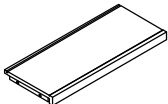
info@leickhome.com



Hardware List

Item	Description	Qty
a 	Bolt 1/4"x1-1/8"	8PCS
b 	Flat Washer 1/4"x16mm	8PCS
c 	Allen Wrench	1PC
d 	Shelf Metal Clip	8PCS
e 	Black Screw	2PCS

Parts List

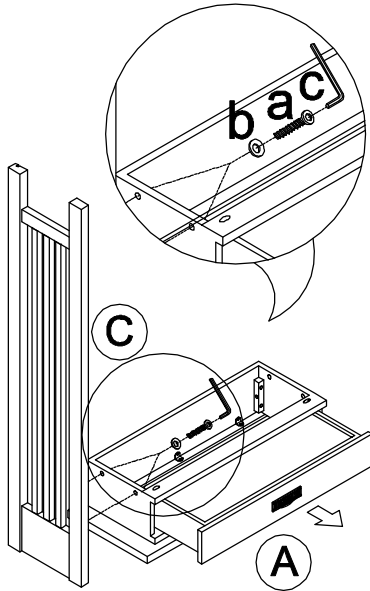
Item	Description	Qty
A 	Top	1PC
B 	Left Side Frame	1PC
C 	Right Side Frame	1PC
D 	Back Panel	1PC
E 	Adjustable shelf	2PCS
F 	Bottom Panel	1PC

Assembly Instructions

Two person assembly recommended.

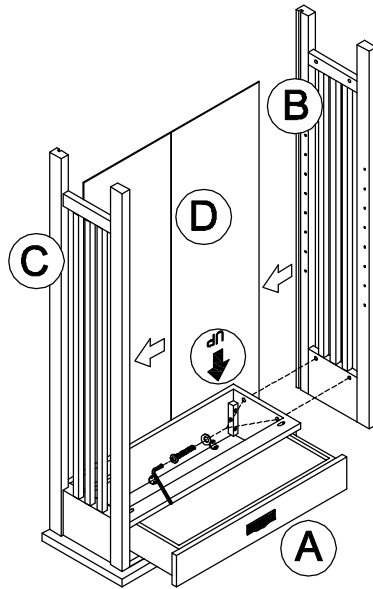
step 1

Open the drawer for fastening the right side frame (C) and top with bolts. Tighten two bolts when the side frame front rail is flush with drawer front rails.



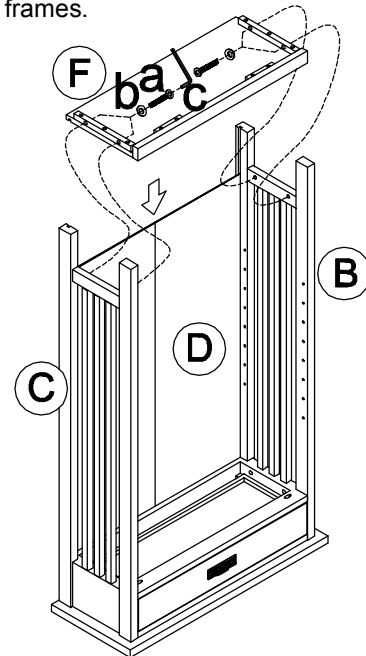
step 2

Insert back panel (D) into right side frame groove. Align the left side frame (B) groove with back panel and fasten with bolts when the front rails are flush.



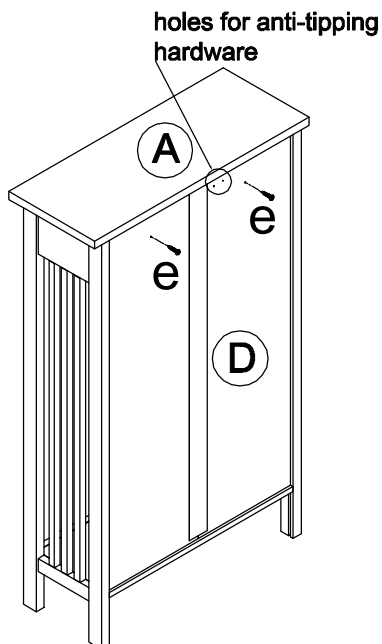
step 2

Insert the bottom shelf and align the back panel into bottom shelf groove. Fasten the bolts when the bottom shelf front rail is flush with two side frames.



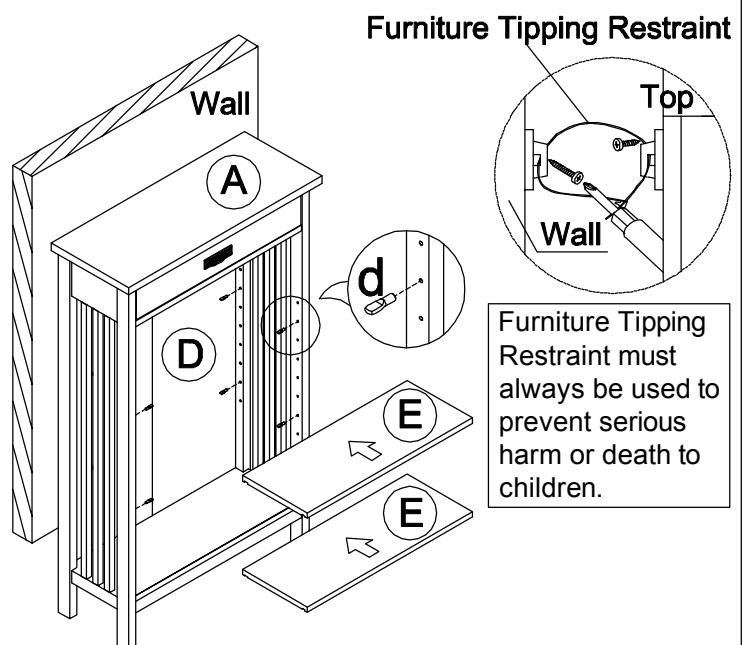
step 3

Place the bookcase right side up and fasten the back panel with two screws (e).



step 4

Insert shelf supports and place two adjustable shelves on shelf supports. Fasten the anti-tipping hardware onto pre-drilled holes at back of bookcase and wall.



Furniture Tipping Restraint
Furniture Tipping Restraint must always be used to prevent serious harm or death to children.