



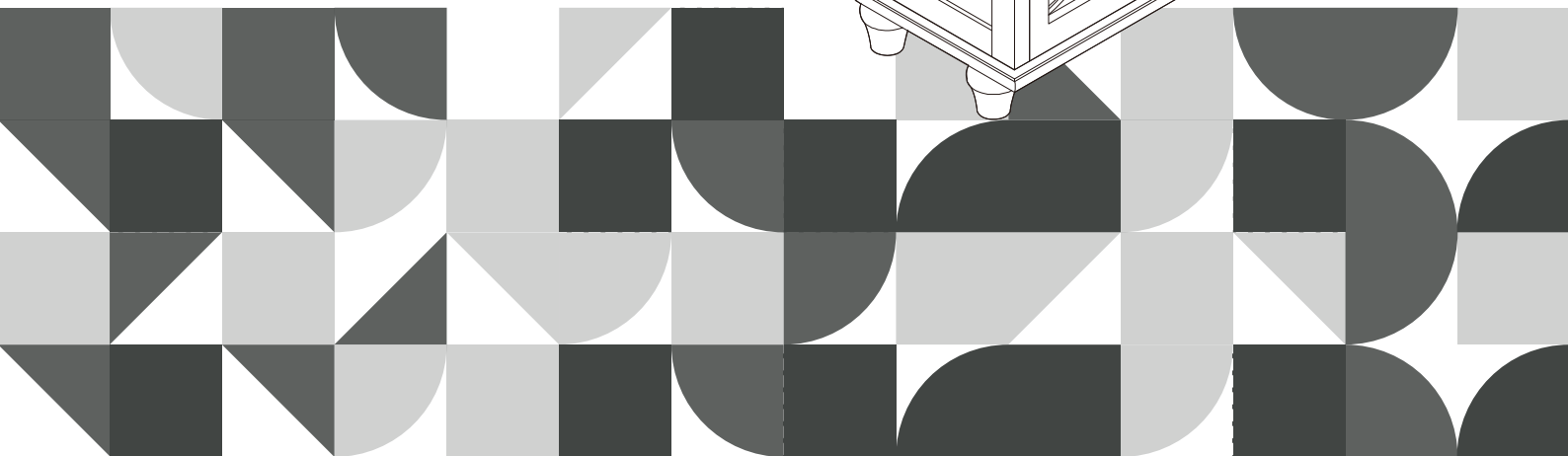
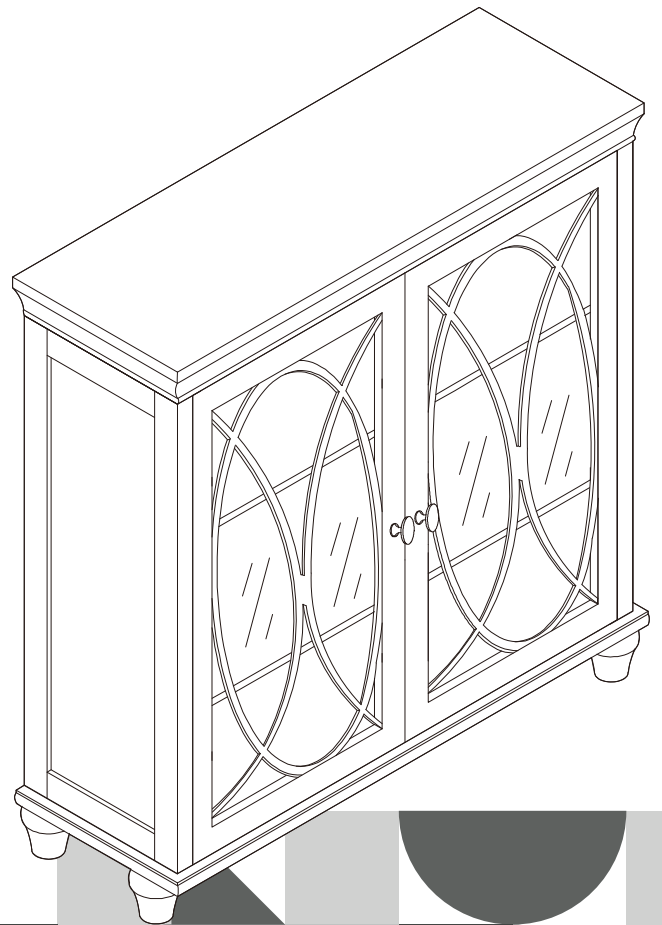
Extended Warranty
Sign Up

E-1

Welcome home!

ELG-635

**TEAMSON HOME
32" H Florence Double
Door Floor Cabinet
with 2 Adjustable
Tempered Glass Shelves**





**Questions? Comments? Need help?
Call or email us any time!**

Global Customer Service

USA

+1(800)935-3959

Mon - Fri 10:00am ~ 2:00pm EST
✉ support@teamson.com

EU/UK

+44(0)1952-916-050

Mon - Thu 9:00am ~ 5:00pm GMT
Friday 9:00am ~ 4:00pm GMT
✉ support@teamson.co.uk

ASIA

深圳办公室:

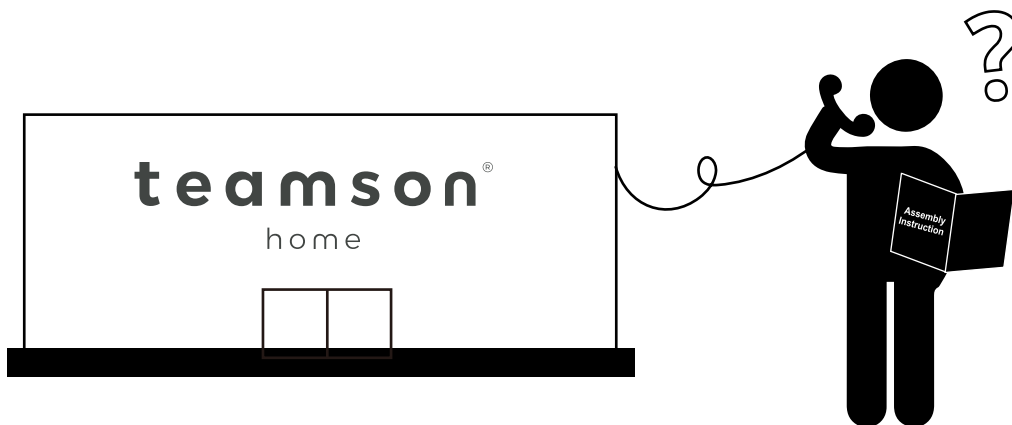
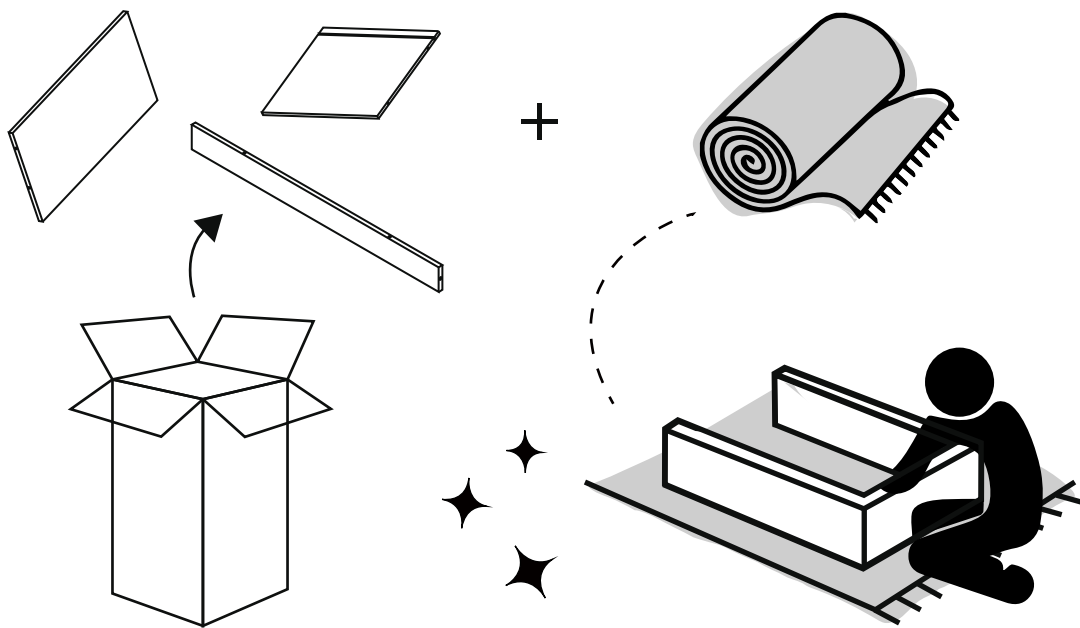
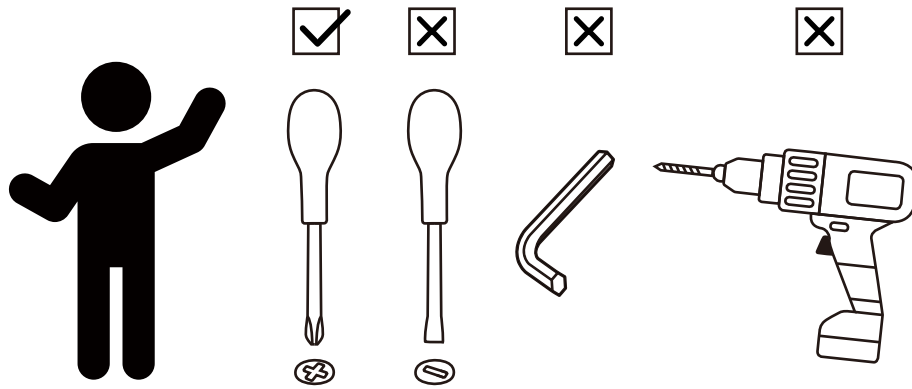
+86(0755)8885-3558.分机号331

Mon - Sat 9:00am ~ 5:00pm GMT+8
✉ sales_ec@teamson.com

台北办公室:

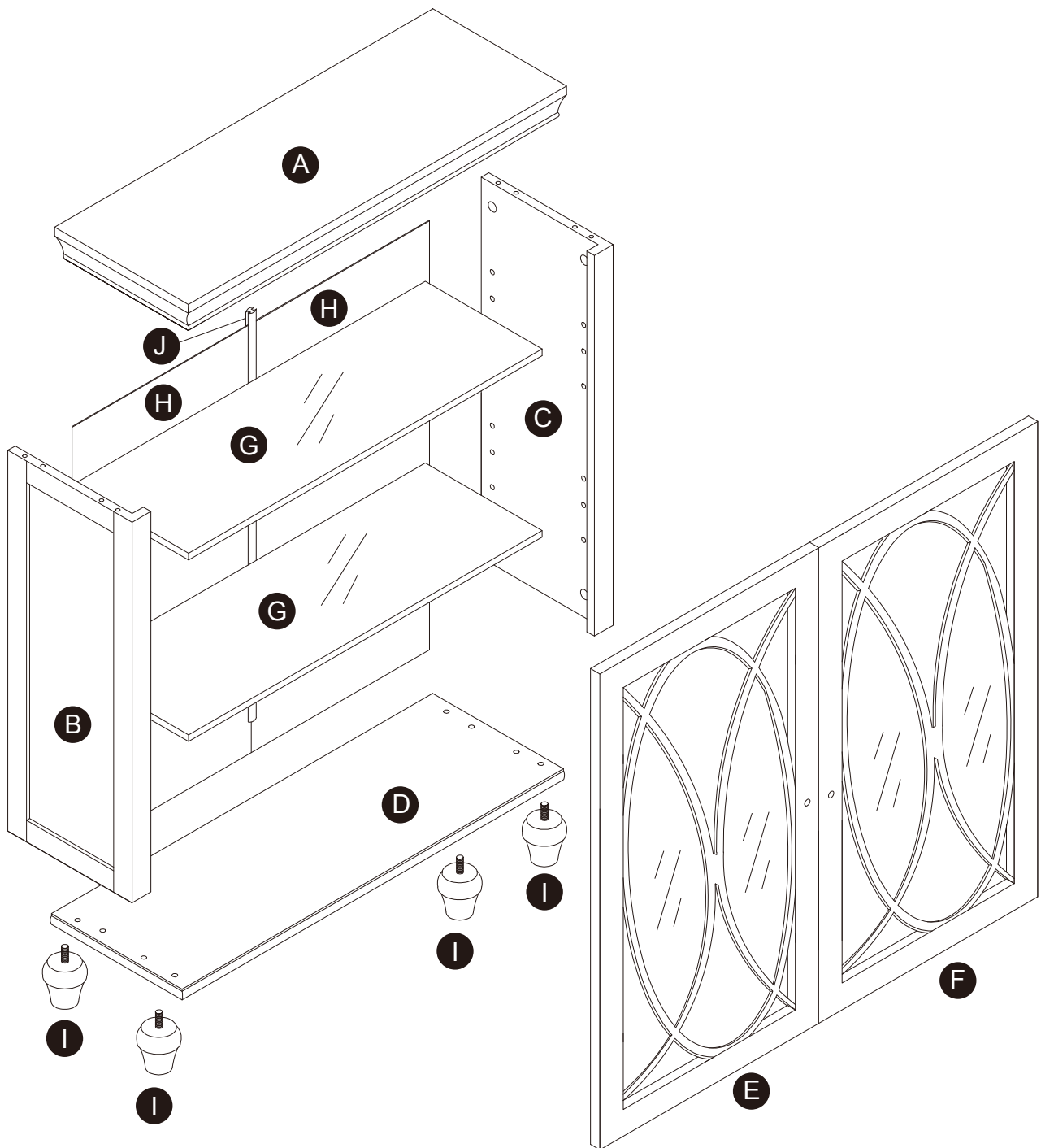
+886(2)2556-6268

Mon - Fri 9:00am ~ 5:00pm GMT+8
✉ sales_ec@teamson.com



** Got questions? Please have your product code (on the first page of this instruction, e.g. TD-12345A) and the order number ready, give us a call or email us through our customer care support! We are always ready to assist you!

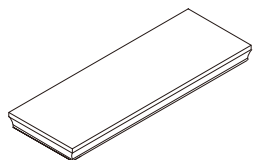
Exploded Drawing



Scan for assembly instructions.

Product Parts

A



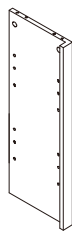
1 PC

B



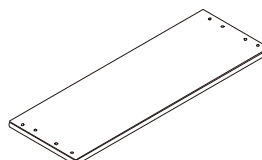
1 PC

C



1 PC

D



1 PC

E



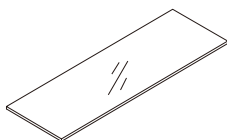
1 PC

F



1 PC

G



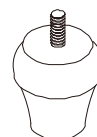
2 PCS

H



2 PCS

I



4 PCS

J



1 PC

! Care Instructions

Dust surface with a dry soft cloth. Do not use window cleaners or cleaning abrasives as they will scratch the surface and could damage the protective coating

! WARNING

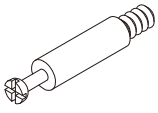
Small parts and sharp edges may be present prior to assembly.



Scan for assembly instructions.

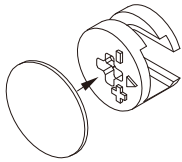
Hardware

1



8 PCS

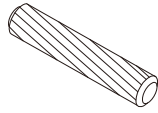
2



Ø15*12

8 PCS

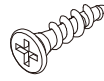
3



Ø8*30mm

8 PCS

4



Ø3*12mm

8 PCS

5



8 PCS

6



Ø3*12 D=7

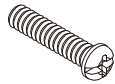
16 PCS

7



2 PCS

8



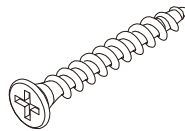
2 PCS

9



1 PC

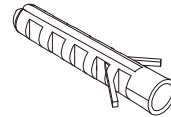
10



Ø4*25mm

2 PCS

11



1 PC

12



2 PCS



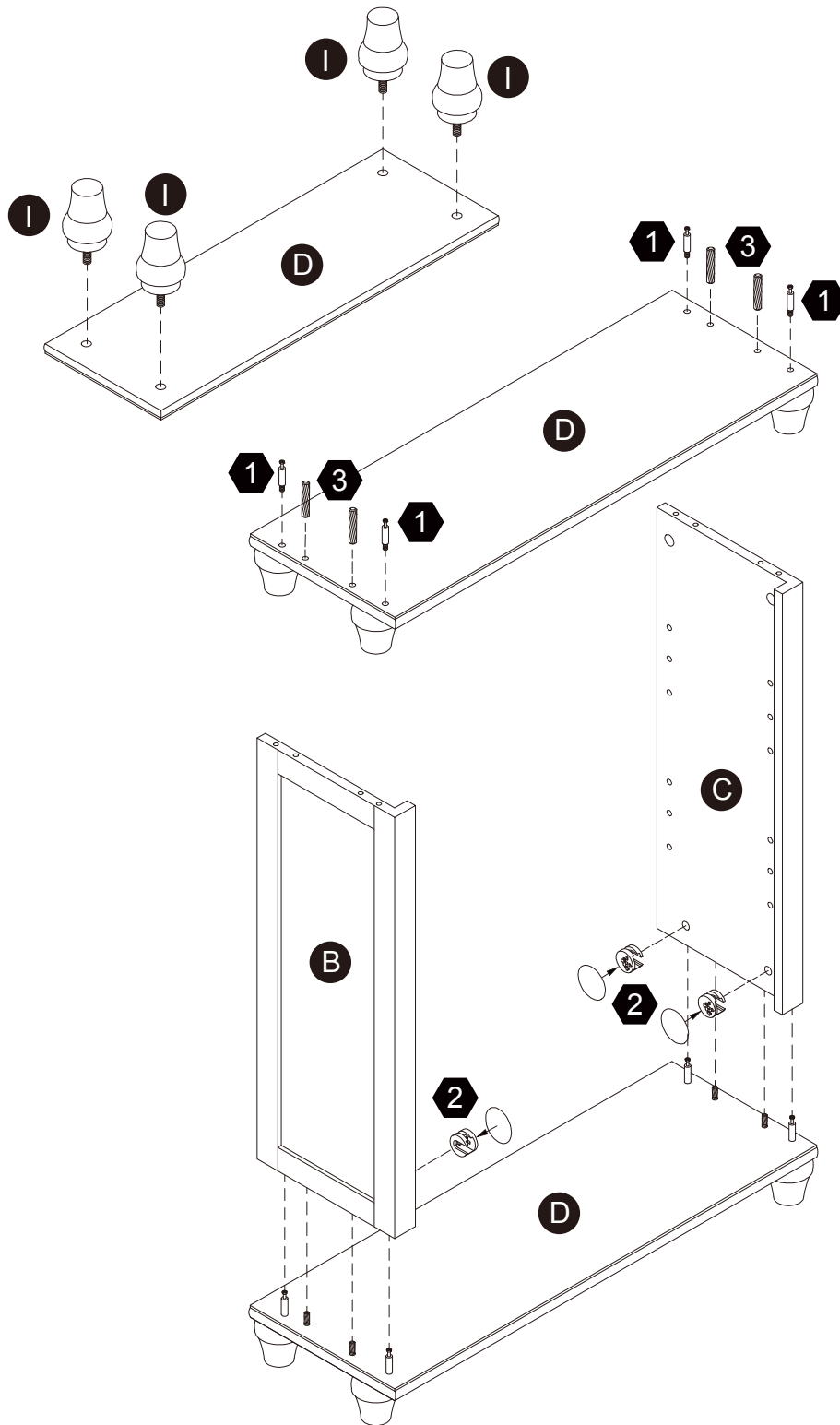
Scan for assembly instructions.

Step 1

1 4 pcs

2 $\varnothing 15 \times 12$ 4 pcs

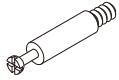
3 $\varnothing 8 \times 30 \text{mm}$ 4 pcs



Scan for assembly instructions.

Step 2

1



4 pcs

2



Ø15*12

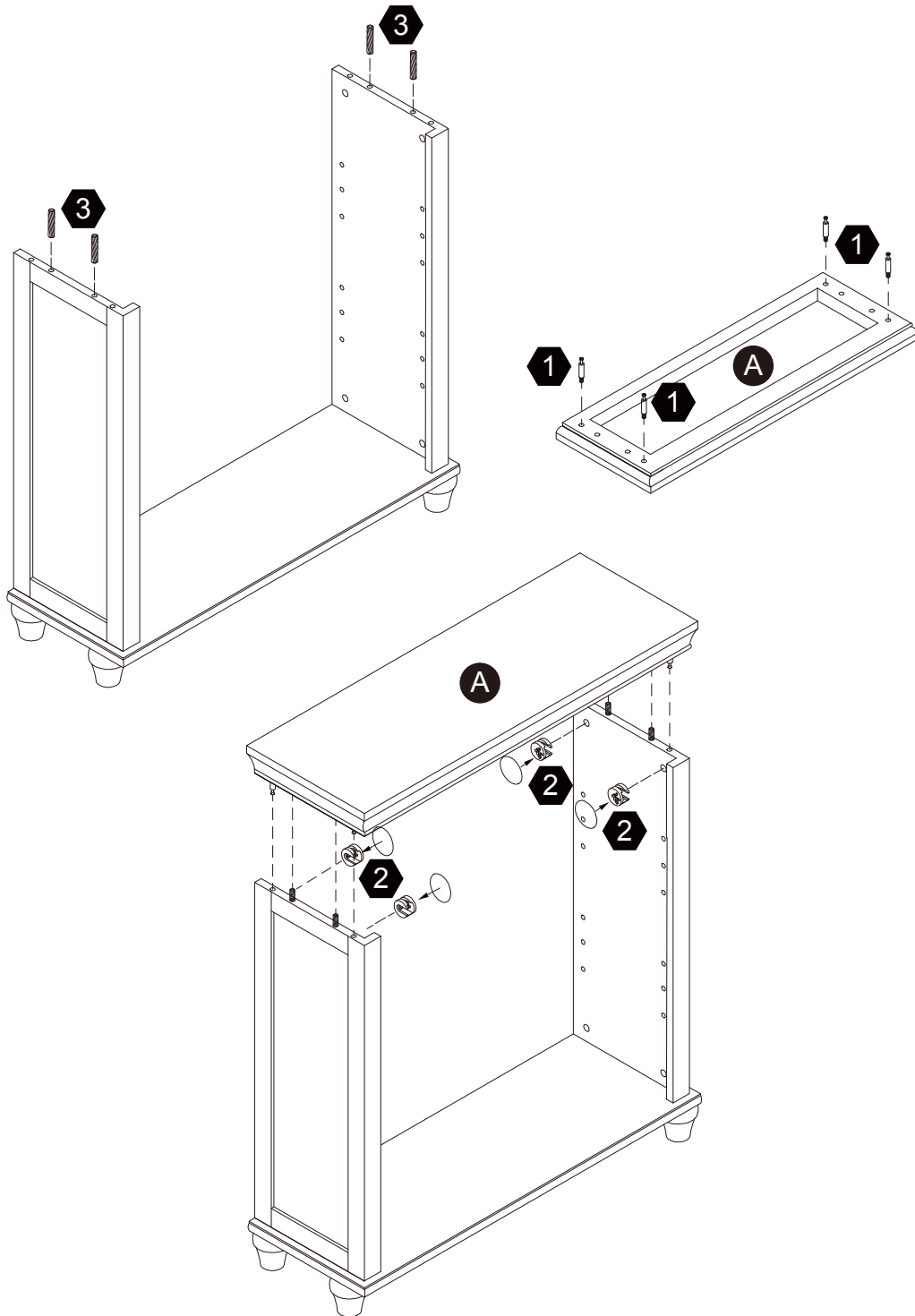
4 pcs

3




Ø8*30mm

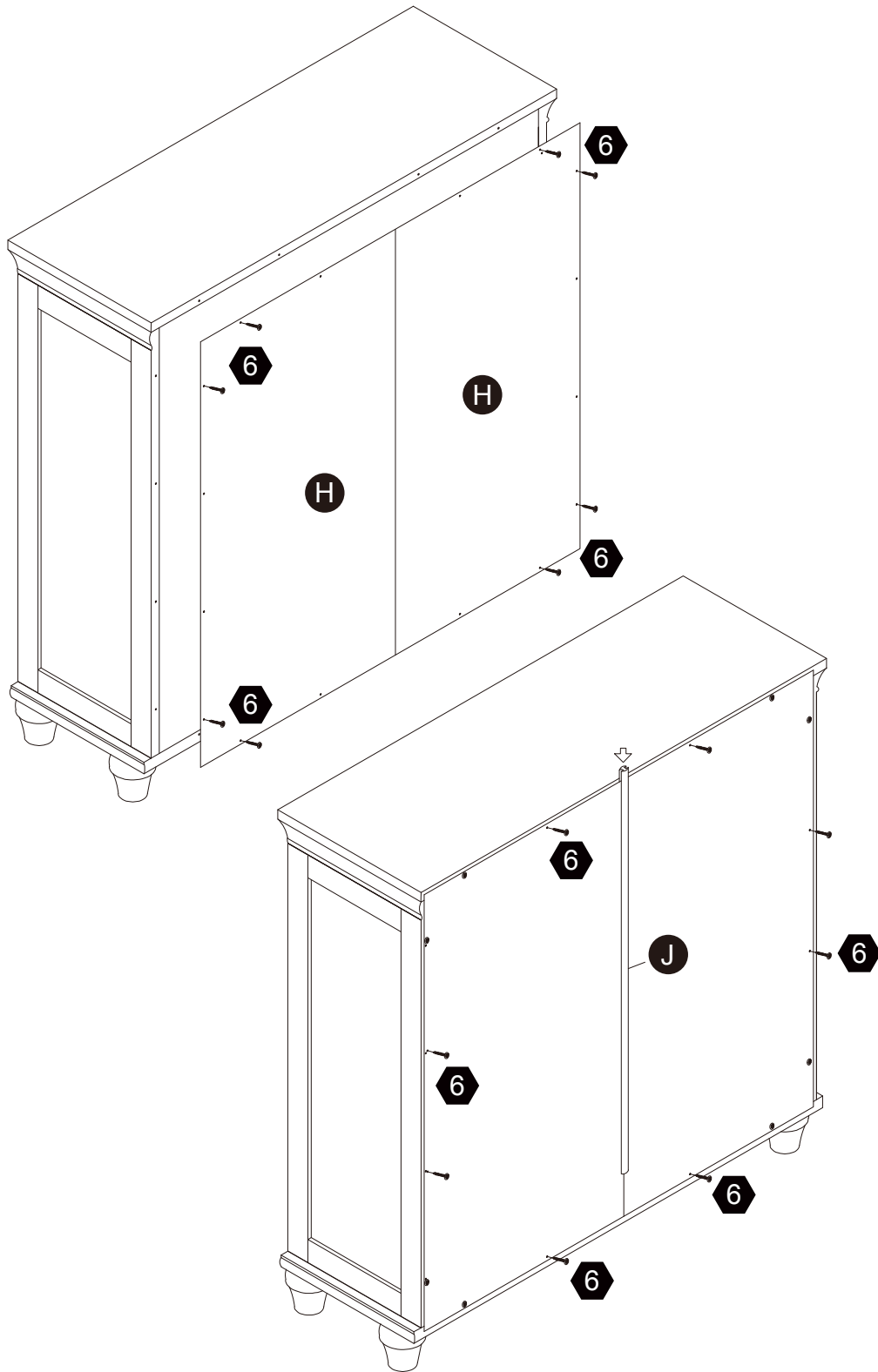
4 pcs



Scan for assembly instructions.

Step 3

6  **16 pcs**
Ø3*12 D=7



Scan for assembly instructions.

Step 5

9



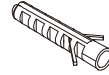
1 pc

10



2 pcs

11

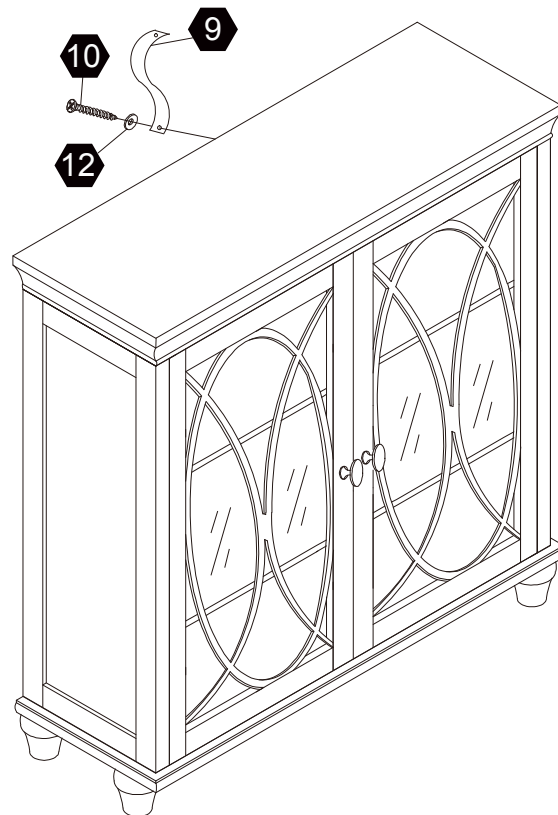
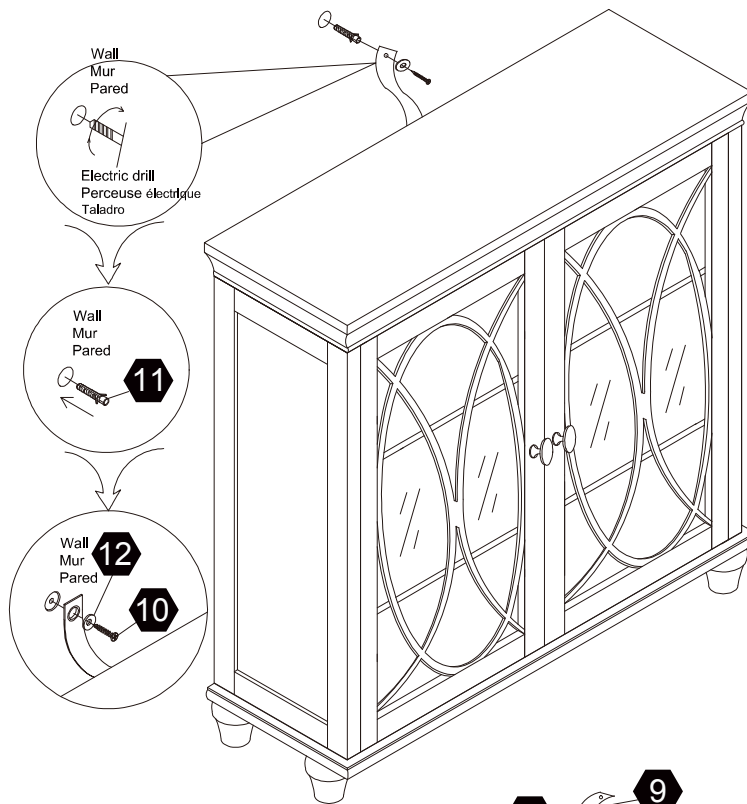


1 pc

12



2 pcs



Scan for assembly instructions.