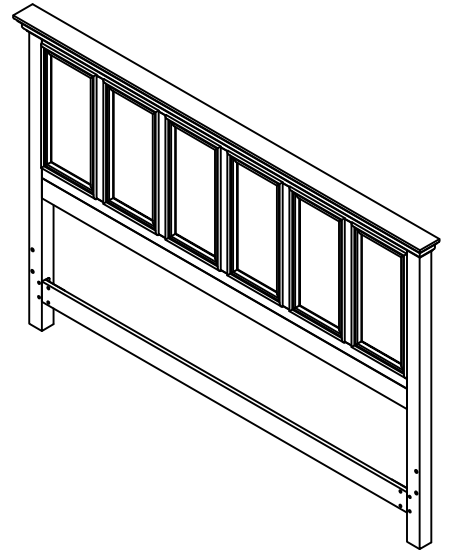


88 5576 601 King Headboard



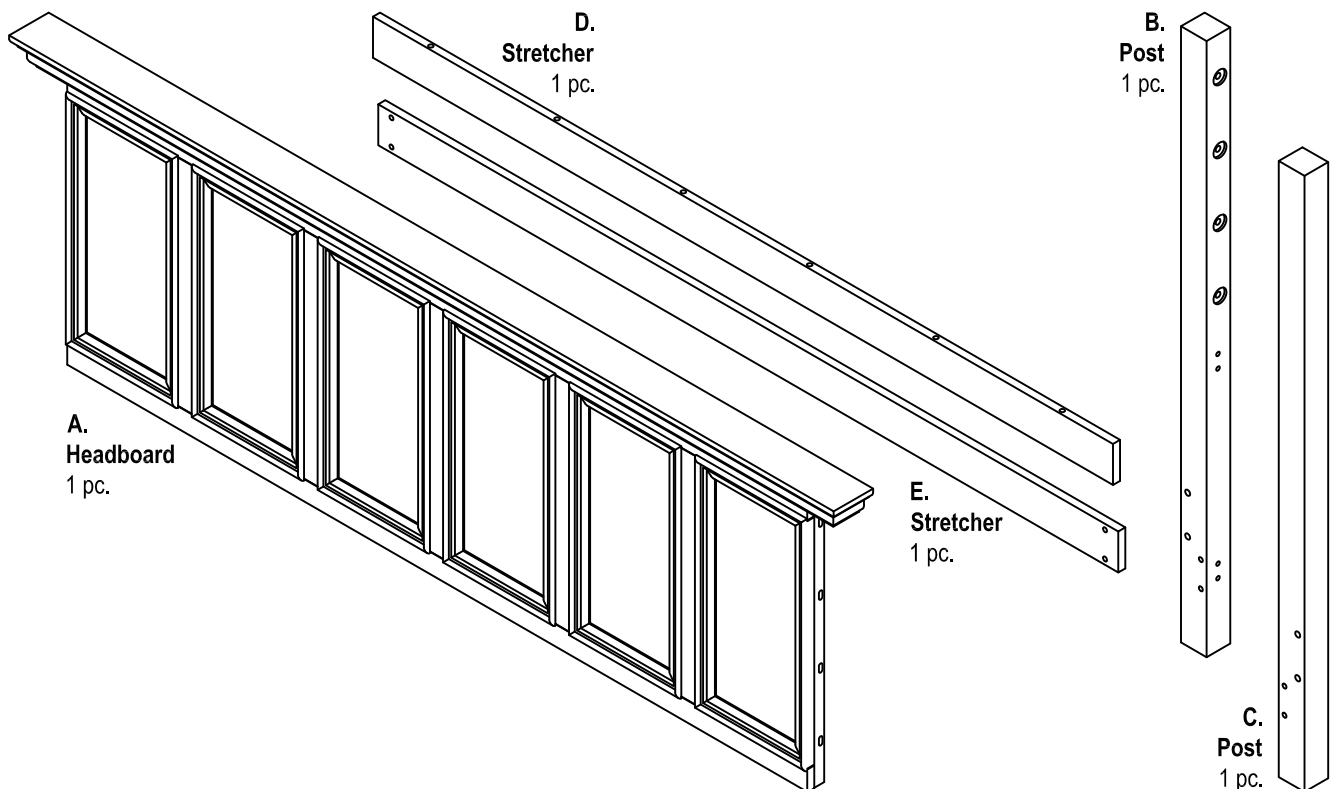
IMPORTANT NOTE

Carefully remove all the parts from the carton and put them individually on a soft cloth to prevent scratches or other damages occurring to the parts.

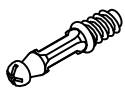
We have taken great care in the design of this product and request that you carefully and strictly follow our assembly instructions to ensure a completed product as it was designed.

Home Styles

Part List



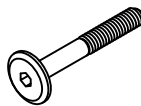
Hardware List



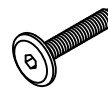
Cam Lock Screw
6 pcs. (+1 extra)



Cam Lock
6 pcs. (+1 extra)



(M6x50) Head Cap Bolt (Long)
8 pcs. (+1 extra)



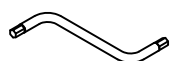
(M6x30) Head Cap Bolt (Short)
8 pcs. (+1 extra)



Spring Washer
16 pcs. (+1 extra)



Flat Washer
16 pcs. (+1 extra)



Key Wrench
1 pc.



Small Key Wrench
1 pc.



5/8" Flat Head Screw (M4x16)
20 pcs. (+1 extra)



Angle Brace
4 pcs.

Tools Required For Assembly : Phillips screwdriver

Home Styles Consumer Assistance: www.homestyles-furniture.com,
servicedesk@homestyles-furniture.com, 888-680-7460, 877-831-0319

IMPORTANT

- * Do not tighten up all the bolts until each part is properly assembled.
- * You should keep Key Wrench in a safe place as you may need to tighten up the bolts in the future.
- * Use a soft cloth between these parts and the floor.

STEP 1

Attach Angle Braces to Stretchers (D) and (E) with 5/8" Flat Head Screws.
(See Figure 1)

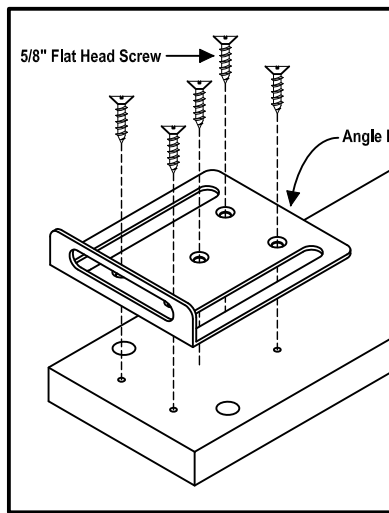
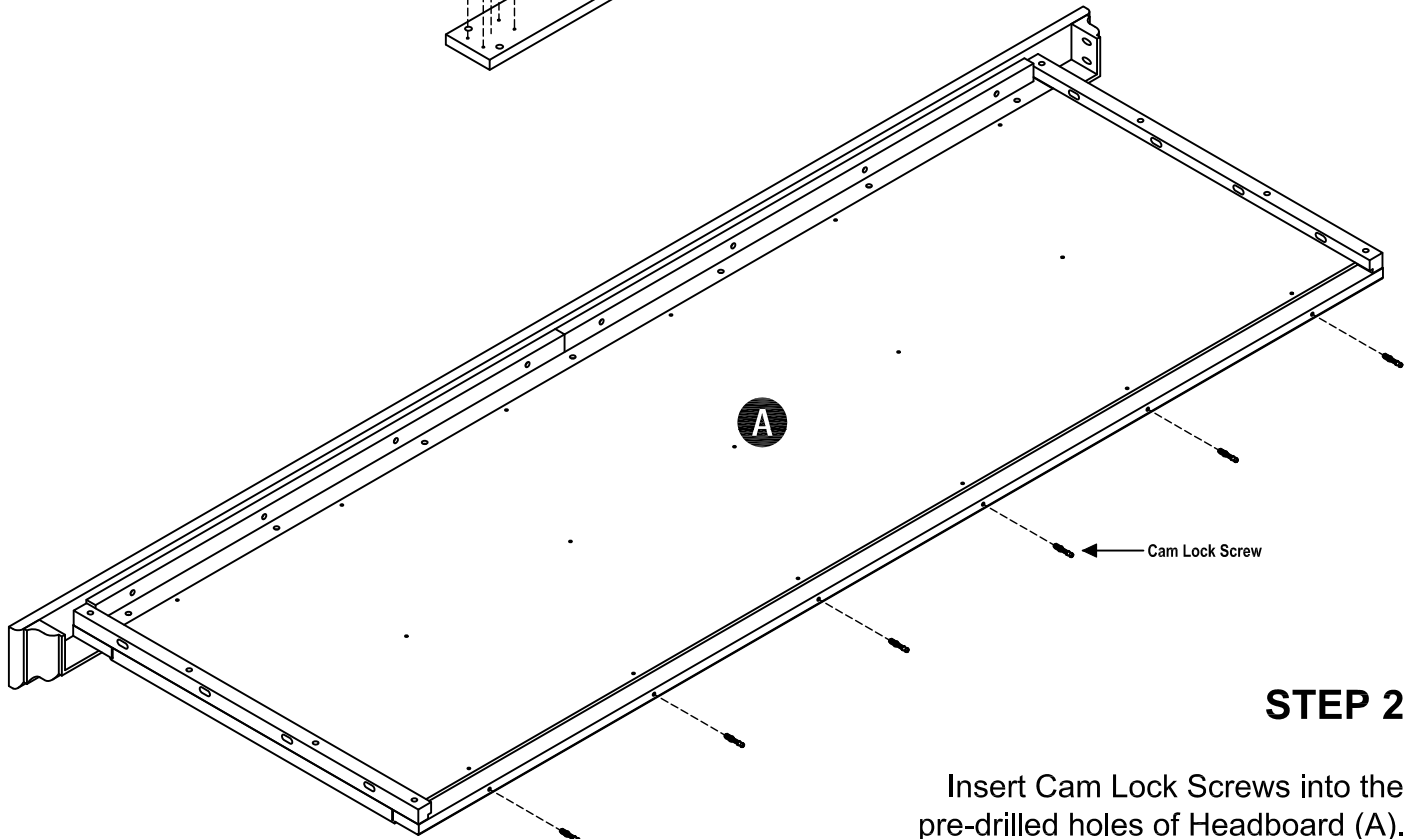
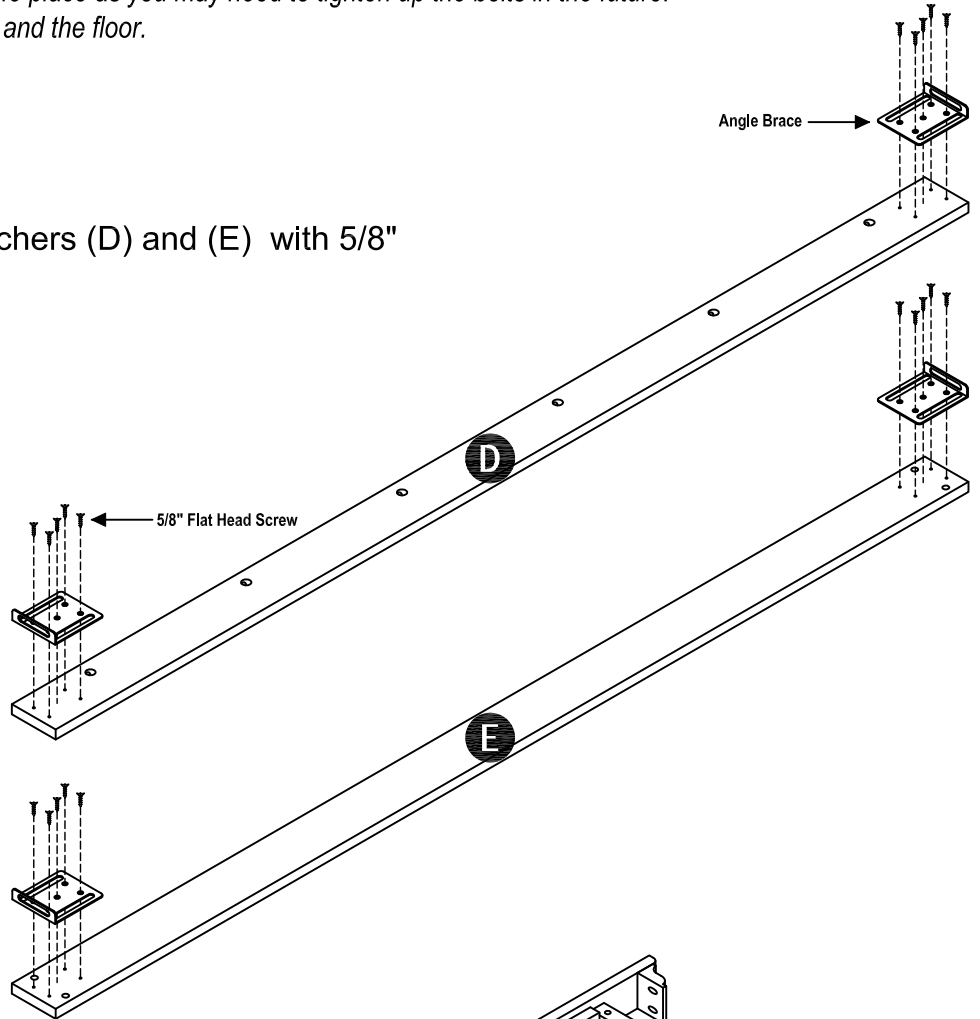


Figure 1



STEP 2

Insert Cam Lock Screws into the pre-drilled holes of Headboard (A).

STEP 3

Attach Stretcher (D) to Headboard (A) with Cam Locks.
(See Figure 2)

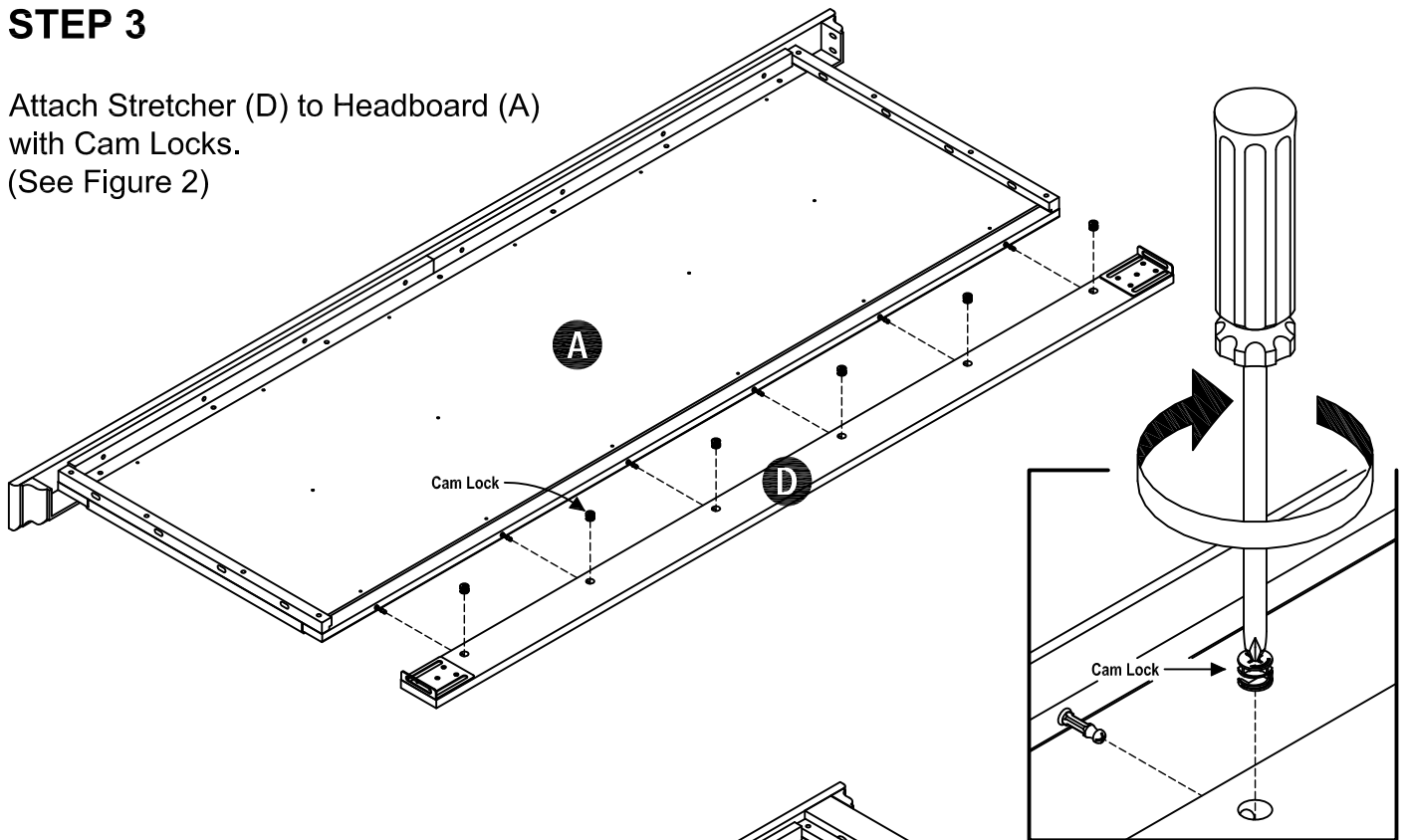
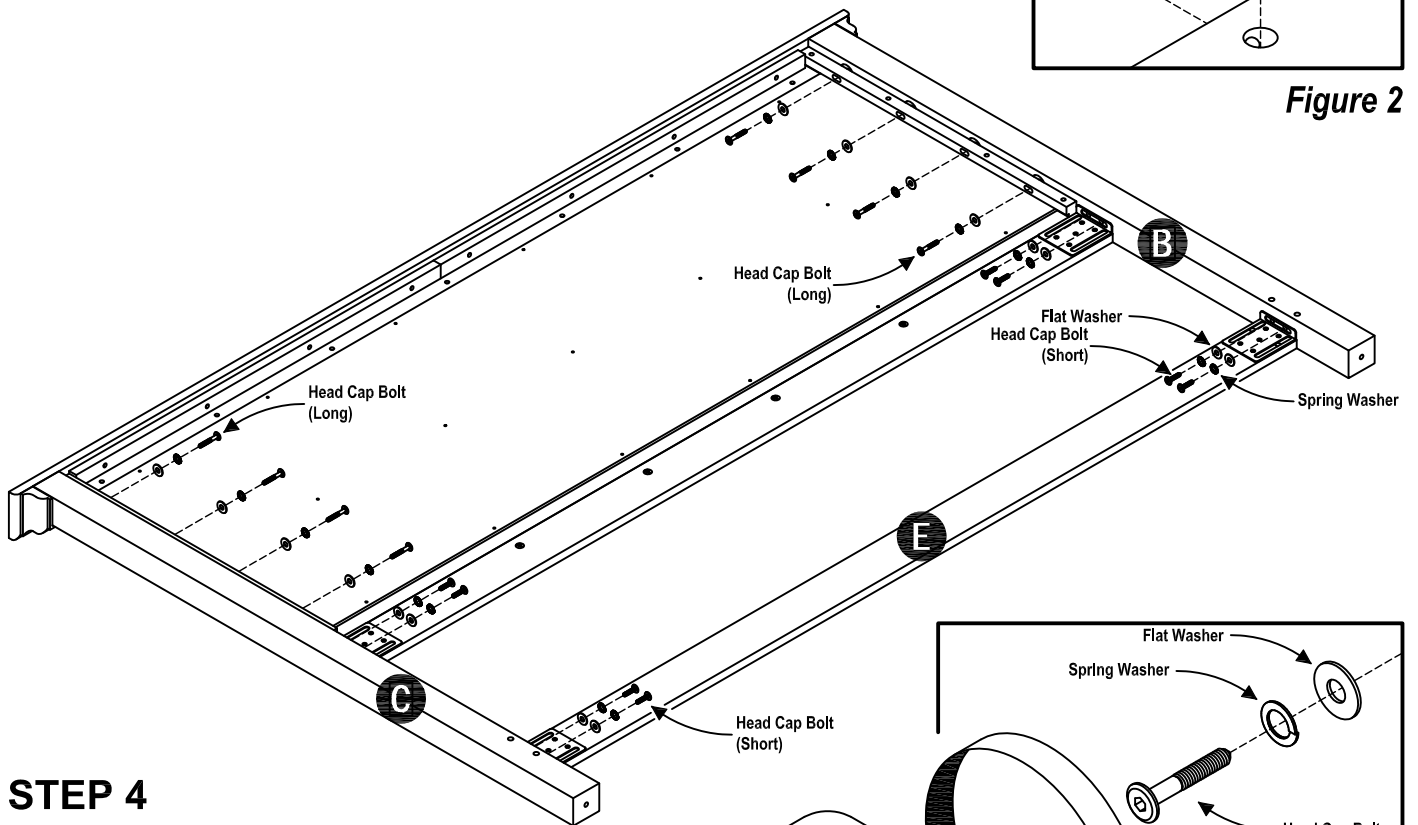


Figure 2



STEP 4

Attach the unit and Stretcher (E) to Posts (B) and (C) with Head Cap Bolts (Long) and (Short), Spring Washers and Flat Washers.

Tighten Head Cap Bolts with Key Wrench.
(See Figure 3)

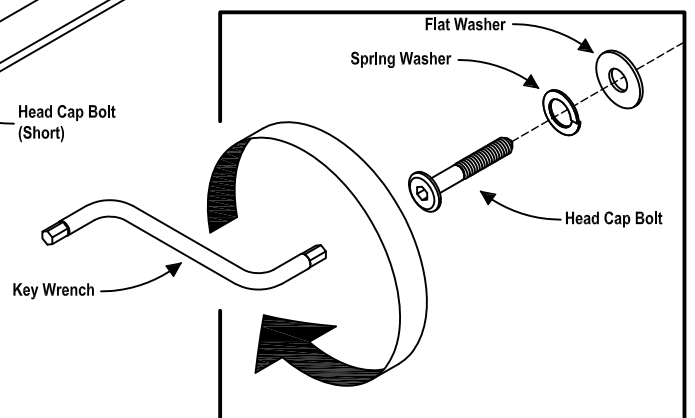


Figure 3

VERY IMPORTANT !!

CARE INSTRUCTIONS

NEVER

USE GLASS CLEANERS ON FINISHED FURNITURE. AMMONIA WILL CHEMICALLY ATTACK THE FINISH.

NEVER

ALLOW LIQUIDS OF ANY KIND TO REMAIN ON THE FURNITURE. ABSORPTION CAUSES PART TO WARP AND SPLIT AND FINISHES TO DELAMINATE.

DO NOT WRITE DIRECTLY ON SURFACE.



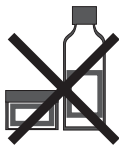
PREVENT MARKING

DO NOT PLACE IN DIRECT SUNLIGHT.



PREVENT FADING

DO NOT USE COMMERCIAL WAXES AND POLISHES.



PREVENT YELLOWING

DO NOT PLACE HOT OBJECTS ON SURFACE.



PREVENT FINISH DAMAGE

DO NOT USE RUBBER BASED PLACE MATS.



PREVENT DISCOLORING

TO CLEAN

USE A SOFT CLOTH MOISTENED IN LUKEWARM SOAP AND WATER, THEN BUFF WITH A DRY CLEAN CLOTH.



Home Styles will provide replacements free of charge for missing or damaged hardware or parts within 30 days of purchase. Digital images of the defective parts may be required. If this product was not purchased from an authorized retail affiliate, Home Styles is under no obligation to provide replacement parts. Parts are not available for fully assembled items nor are parts available for sale. Replacements for missing or damaged hardware or parts may be requested at:

www.homestyles-furniture.com/customer_service

Home Styles Consumer Assistance: www.homestyles-furniture.com,
servicedesk@homestyles-furniture.com, 888-680-7460, 877-831-0319