

AXOR Universal Accessories

Tumbler

Finishes : **brushed nickel** Part no. : **42834820**



Description

Features

- Glass, Metal
- Wall-mounted
- Adaptor set #42870000 must be used when installing on a rail

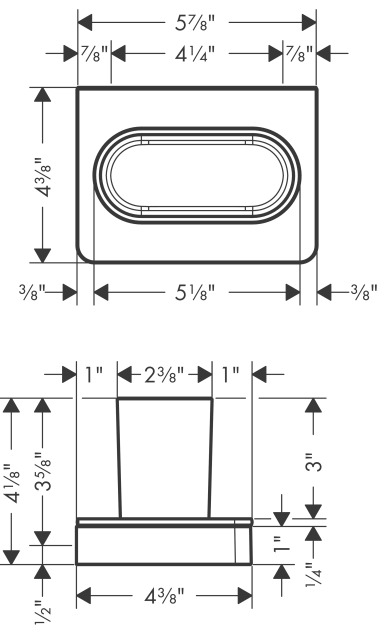
Design awards



Product image



Scale drawing



AXOR Universal Accessories

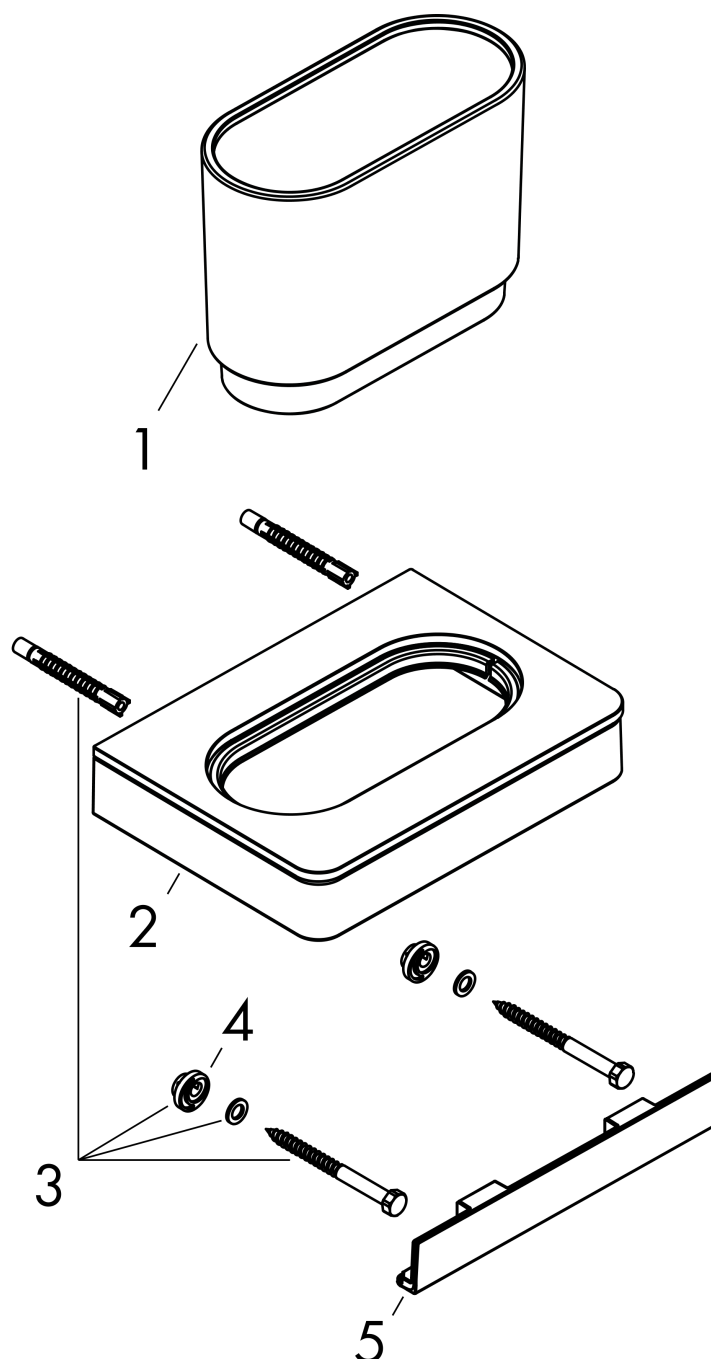
Tumbler

Finishes : **brushed nickel** Part no. : **42834820**



Exploded drawing

Year of production: >02/16



AXOR Universal Accessories

Tumbler

Finishes : **brushed nickel** Part no. : **42834820**



Spare parts list

Year of production: >02/16

Pos.	Description	Part no.	PC	PU
1	tumbler on its own	92436000	0	1
2	support element	92458820	0	1
3	mounting set	92841000	0	1
4	excentric socket	97604000	0	1
5	cover	92427820	0	1
a	mounting kit for two-sided glass montage	42841000	0	1
b	set of adapters	42870000	0	1
c	set of covers	42871820	0	1