

Installation Guide

Pneumatic Faceplate

Français, page "Français-1"
Español, página "Español-1"

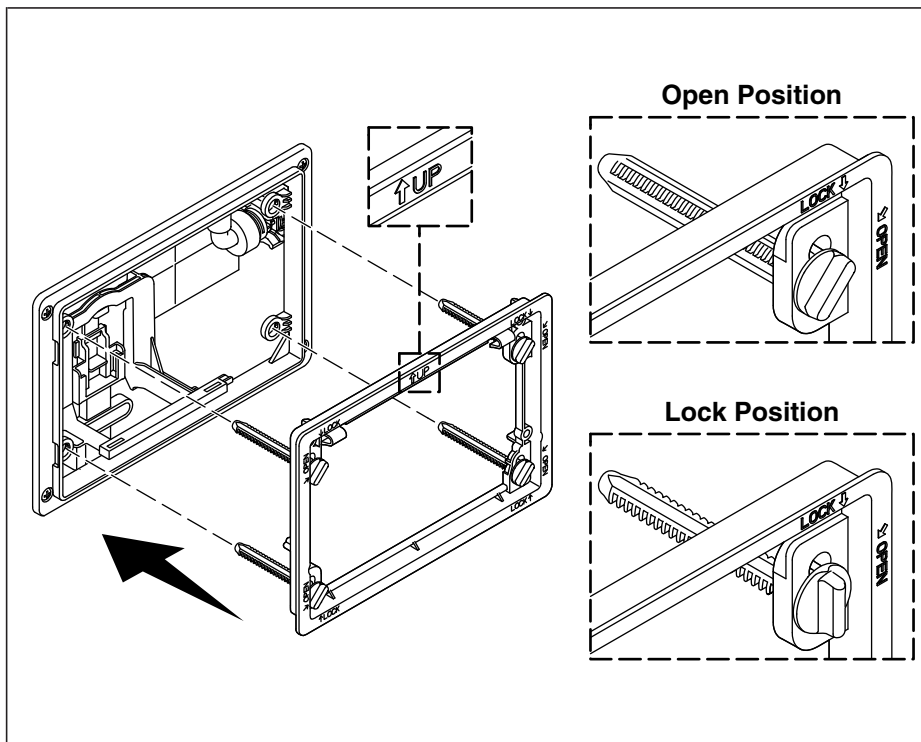
THE BOLD LOOK
OF **KOHLER**®

1356552-2-A

Before You Begin

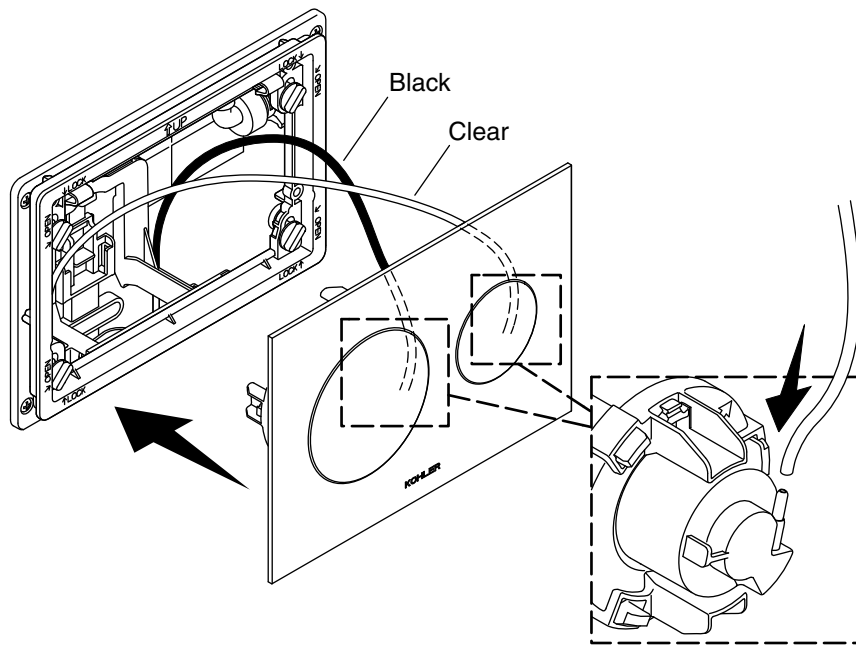
NOTE: A dual flush or single flush faceplate can be connected to the pneumatic flush valve. Follow the instructions for your product type.

- This product requires the K-8108 flush valve conversion kit.
- The finished wall must be in place before installing the pneumatic faceplate.
- Follow all local plumbing and building codes.



1. Install the Mounting Frame

- If not already installed, complete the finished wall at this time.
- Remove the mounting frame from the back of the faceplate.
- Orient the mounting frame with "UP" at the top and align over the tank opening.
- Insert the locking pins in the "Open" position as shown. If needed, cut the locking pins for a flush fit to the wall.
- Turn the locking pins to the "Lock" position to secure the mounting frame in place.

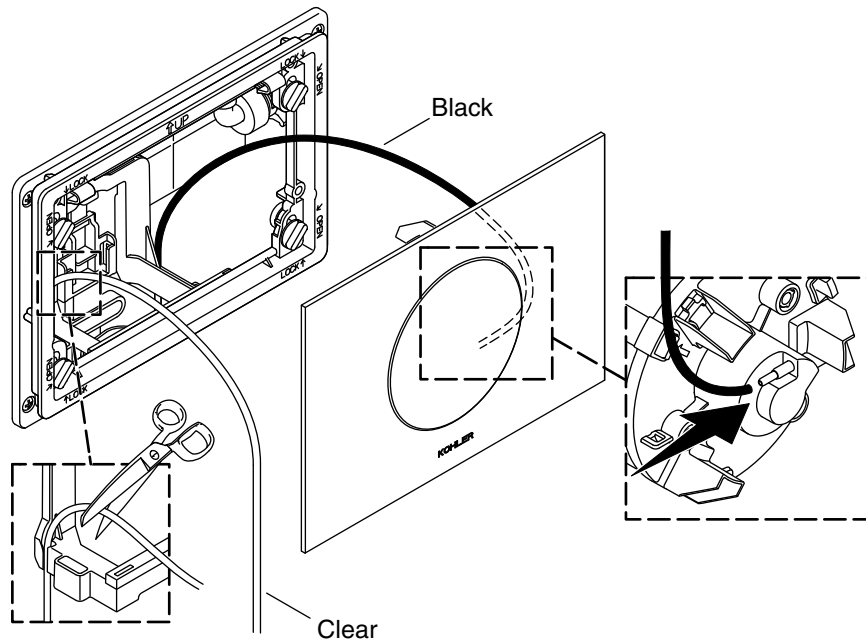


2. Install the Dual Flush Faceplate

NOTE: The dual flush faceplate (shown) has two hose connections. For single flush faceplate installation, refer to the "Install the Single Flush Faceplate" section.

IMPORTANT! Make sure the hoses do not get pinched by the faceplate.

- Attach the full flush hose (black) to the large disk on the back of the faceplate.
- Attach the half flush hose (clear) to the small disk.
- Tuck the hoses behind the faceplate.
- Position the faceplate over the mounting frame and press into place.



3. Install the Single Flush Faceplate

NOTE: The single flush faceplate (shown) has one hose connection. For dual flush faceplate installation, refer to the "Install the Dual Flush Faceplate" section.

IMPORTANT! Make sure the hoses do not get pinched by the faceplate.

- Attach the black flush hose to the port on the back of the faceplate.
- Trim the clear hose close to the bracket so it does not interfere with the faceplate installation.
- Tuck the black hose behind the faceplate.
- Position the faceplate over the push rods and press into place.

Warranty

Need help? Contact the Customer Care Center at 1-800-456-4537.

For care and cleaning and other information visit kohler.com/clean.

This product is covered under the KOHLER® Warranty: **One-Year**

Warranty (cont.)

Limited Warranty.

For a hardcopy of warranty terms, contact the Customer Care Center.

USA/Canada: 1-800-4KOHLER (1-800-456-4537)

Mexico: 001-800-456-4537

kohler.com/warranty