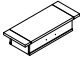









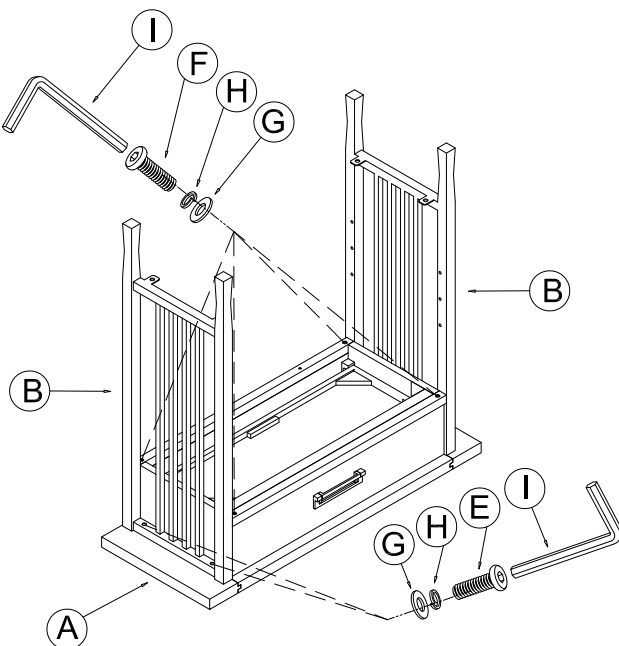


Assembly Instructions, #11261 Ironcraft Foyer Bookcase with Drawer Storage

A: Top Assembly 	F: (8) Short Bolts 
B: (2) Side Frames 	G: (12) Flat Washers 
E: Middle Shelf 	H: (12) Lock Washers 
D: Bottom Shelf 	I: Allen Wrench 
E: (4) Long Bolts 	J: (4) Shelf supports 

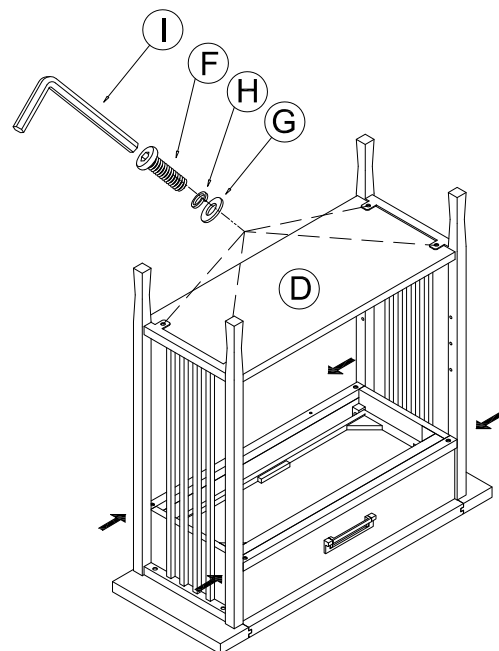
Step 1

Place the top assembly upside down on a soft surface. Insert two side frames into the top tubes, fasten with long bolts on the side and short bolts on the ends. Do not tighten.



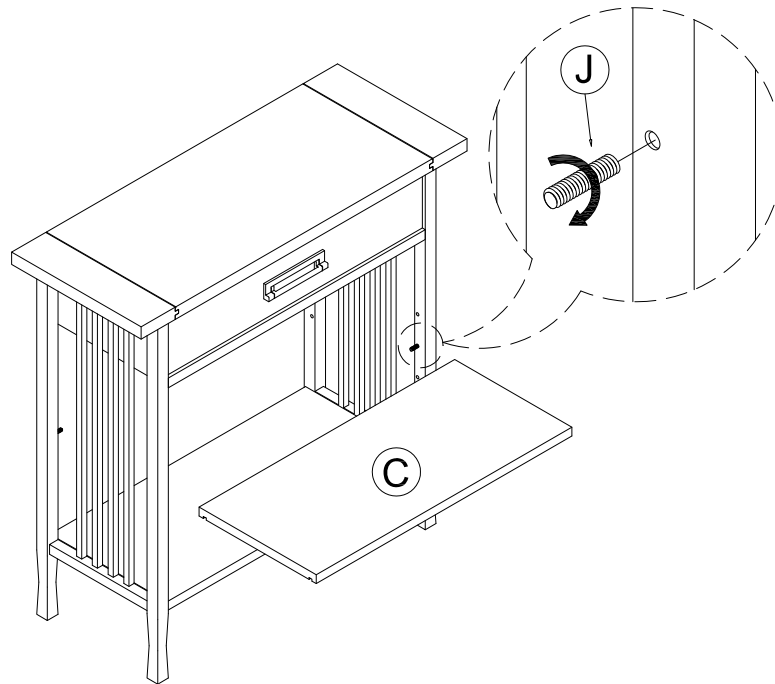
Step 2

Insert the bottom shelf (D) into the side frames, fasten with four short bolts. Push side frames onto the top metal tubes. Now tighten all the bolts on step 1 and step 2.



Step 3

Place the foyer bookcase right side up. Screw the shelf supports into the shelf holes. Place the middle adjustable shelf on and make sure the shelf supports go into the groove on the bottom of middle adjustable shelf.



Step 4

Adjust the levelers if needed.

