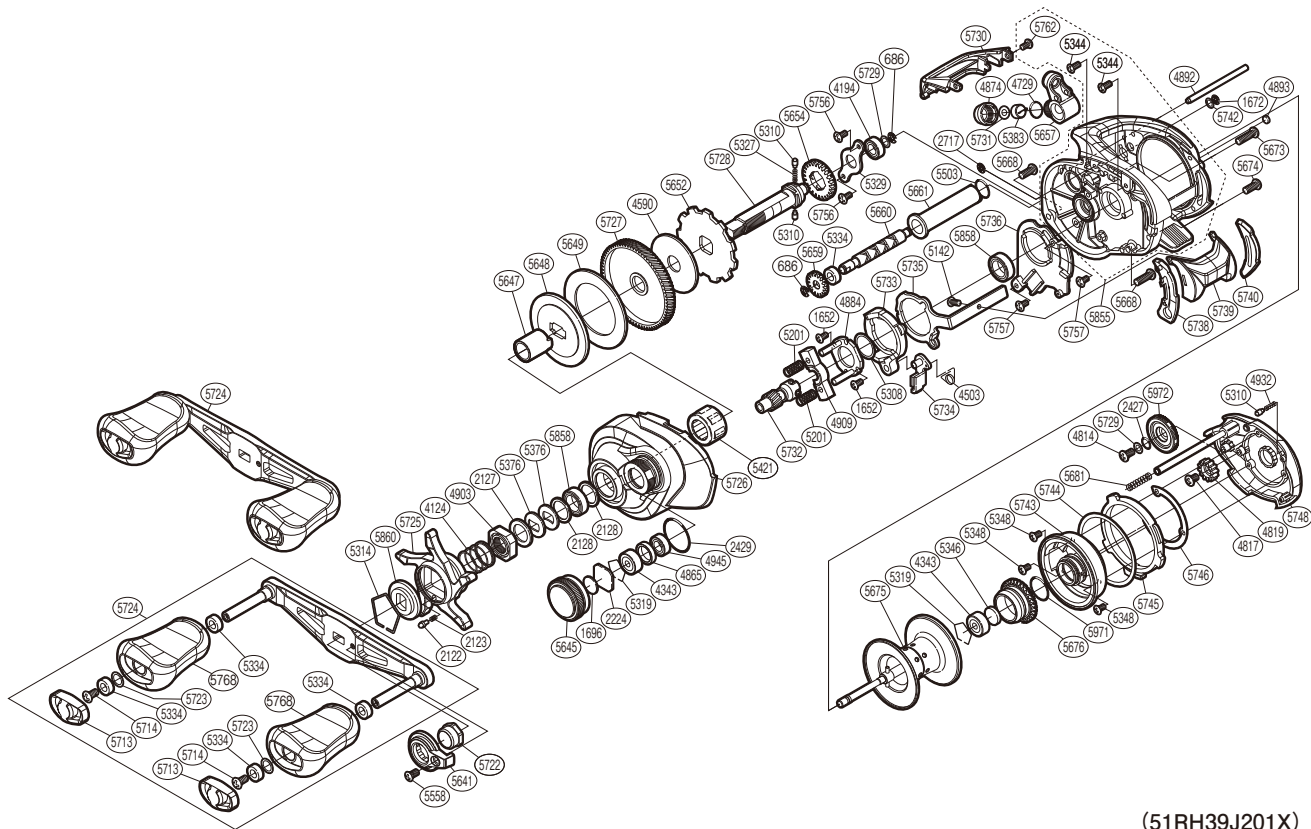


SHIMANO

CURADO

CU-201K



(51RH39J201X)

#	Part No.	Description	#	Part No.	Description	#	Part No.	Description
686	105NK	E Lock	5314	10KXW	Click Plate Retainer	5724	1003R	Handle Assembly
1652	10LVE	Screw	5319	1054D	Bearing Retainer	5725	10EBL	Star Drag
1672	105NC	E Lock	5327	10JDY	Idle Gear Spring	5726	10DH8	Left Side Plate
1696	10896	Cast Control Spacer	5329	109T1	Drive Shaft Retainer	5727	101AP	Drive Gear
2122	10BT0	Click Pin	5334	10PXZ	Bushing	5728	10EBF	Drive Shaft
2123	10BT2	Click Spring	5344	10MPD	Screw	5729	1003V	Spacer
2127	10J1N	Star Drag Spacer	5346	10EX5	Spacer B	5730	10EBB	Level Wind Protector
2128	105PW	Washer	5348	10L1Q	Screw	5731	1003S	Spacer
2224	1085F	Spool Tension Spacer	5376	109F5	Washer	5732	10DH6	Pinion Gear
2427	108WS	O Ring	5383	10BHQ	Line Guide Pawl	5733	10EB3	Clutch Cam
2429	108WK	O Ring	5421	10TM8	Roller Clutch Bearing	5734	1003W	Clutch Pawl Assembly
2717	105NB	E Lock	5503	101GT	O Ring	5735	10EBC	Clutch Plate
4124	10A70	Star Drag Spring	5558	10R1Q	Screw	5736	10EBG	Clutch Guard
4194	105BP	Ball Bearing	5641	10SSK	Handle Nut Plate	5738	10EBK	Clutch Bar Guide B
4343	105C3	Ball Bearing	5645	10SRP	Cast Control Cap	5739	1003T	Clutch Button Assembly
4503	104CQ	Clutch Pawl Spring	5647	10SRM	Roller Clutch Inner Tube	5740	10EB4	Clutch Bar Guide A
4590	10CHY	Drag Washer	5648	10SSR	Key Washer	5742	10S42	Washer
4729	108WQ	O Ring	5649	10SSF	Drag Washer	5743	10041	Brake Case Assembly
4814	103LE	Screw	5652	10SSJ	Anti-Reverse Ratchet	5744	10042	Washer
4817	103L7	Screw	5654	101K8	Idle Gear	5745	10EB7	Right Side Plate Cam Lever
4819	10CLF	Idle Gear	5657	101E0	Line Guide Assembly	5746	10040	Washer
4865	10EYS	Bearing Spacer	5659	10SRL	Idle Gear	5748	1003X	Right Side Plate Assembly
4874	10FJB	Pawl Cap	5660	10ST0	Worm Shaft	5756	10S3Y	Screw
4884	10F3X	Clutch Cam Retainer	5661	10SSP	Level Wind Guard	5762	10S57	Screw
4892	10QSE	Stabilizer Bar	5668	10SXB	Screw	5768	10EBH	Handle Knob
4893	108PY	Washer	5673	10LHY	Screw	5855	100CZ	Frame Assembly
4903	10A3U	Star Drag Nut	5674	10SXA	Screw	5858	105BT	Ball Bearing
4909	1046W	Yoke	5675	101DZ	Spool Assembly	5860	10J26	Star Drag Click Plate
4932	10GQZ	Click Spring	5676	101DR	Brake Ring Gear Assembly	5971	100GW	O Ring
4945	105BR	Ball Bearing	5681	10KNH	Spring	5972	10263	Brake Dial
5142	10559	Screw	5713	10SS2	Handle Knob Seal	7129	10E8N	Screw
5201	104BC	Yoke Spring	5714	10LFA	Screw			
5308	10190	Washer	5722	101DW	Handle Nut			
5310	10HJG	Idle Gear Pin	5723	1003Z	Washer			

Please note that the number of adjusting washers may not be the same as shown in the exploded views.
(Adjustment will vary with each individual product.)

(240623)_018