

PRODUCT MAX WEIGHT RATING  
BHMA STANDARD

PART DIMENSIONS		
	MIN	MAX
WIDTH	9.5	9.5
DEPTH	10.75	10.75
HEIGHT	26.15	27.85
WEIGHT		
DIAMETER		
RADIUS		
CONTAINER CAPACITY		
CONTAINER UOM		

MIN CABINET OPENING	
WIDTH	9.5
DEPTH	10.88
HEIGHT	28.00

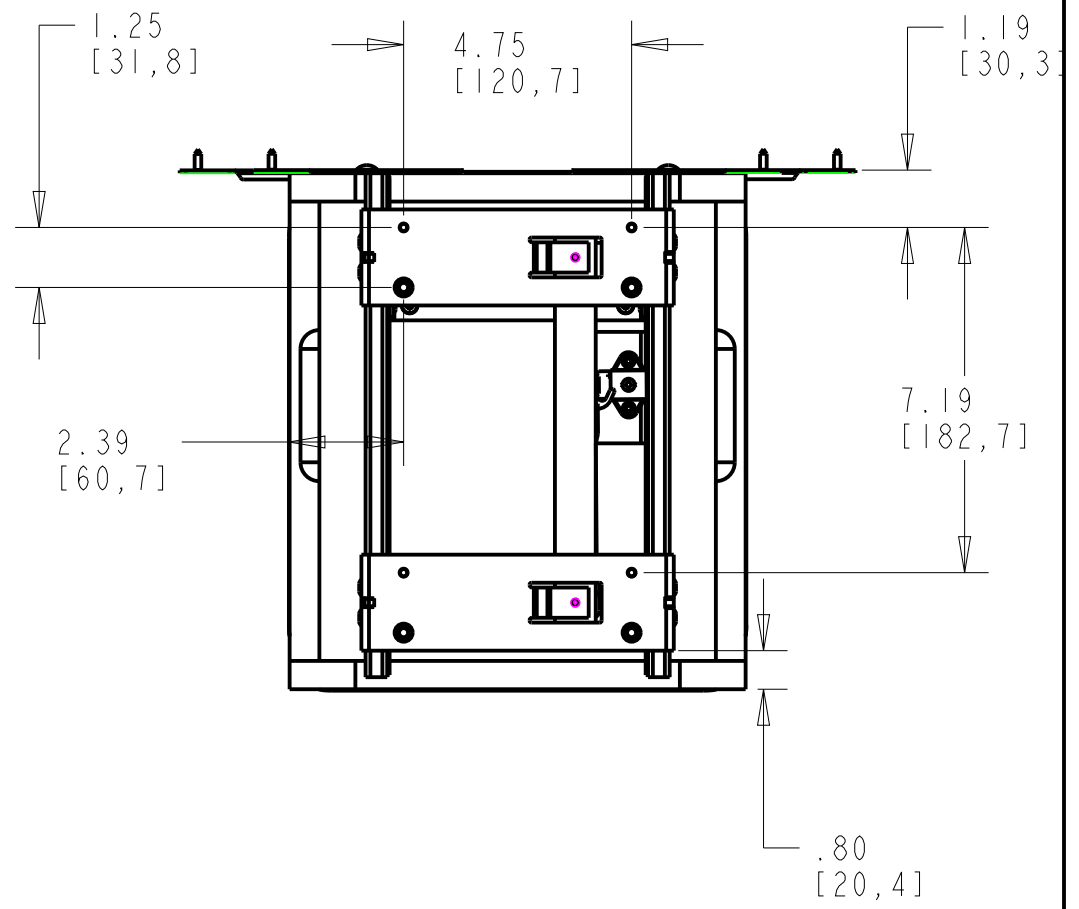
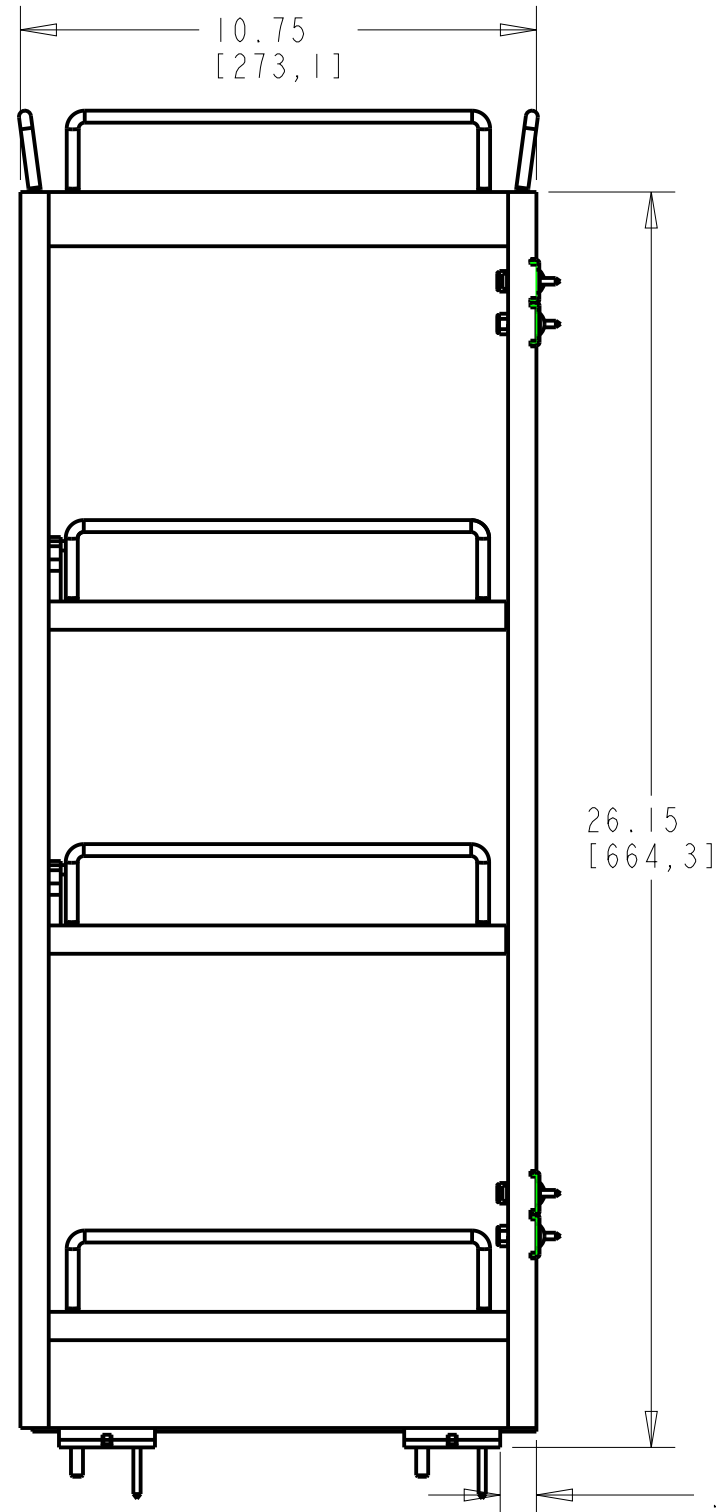
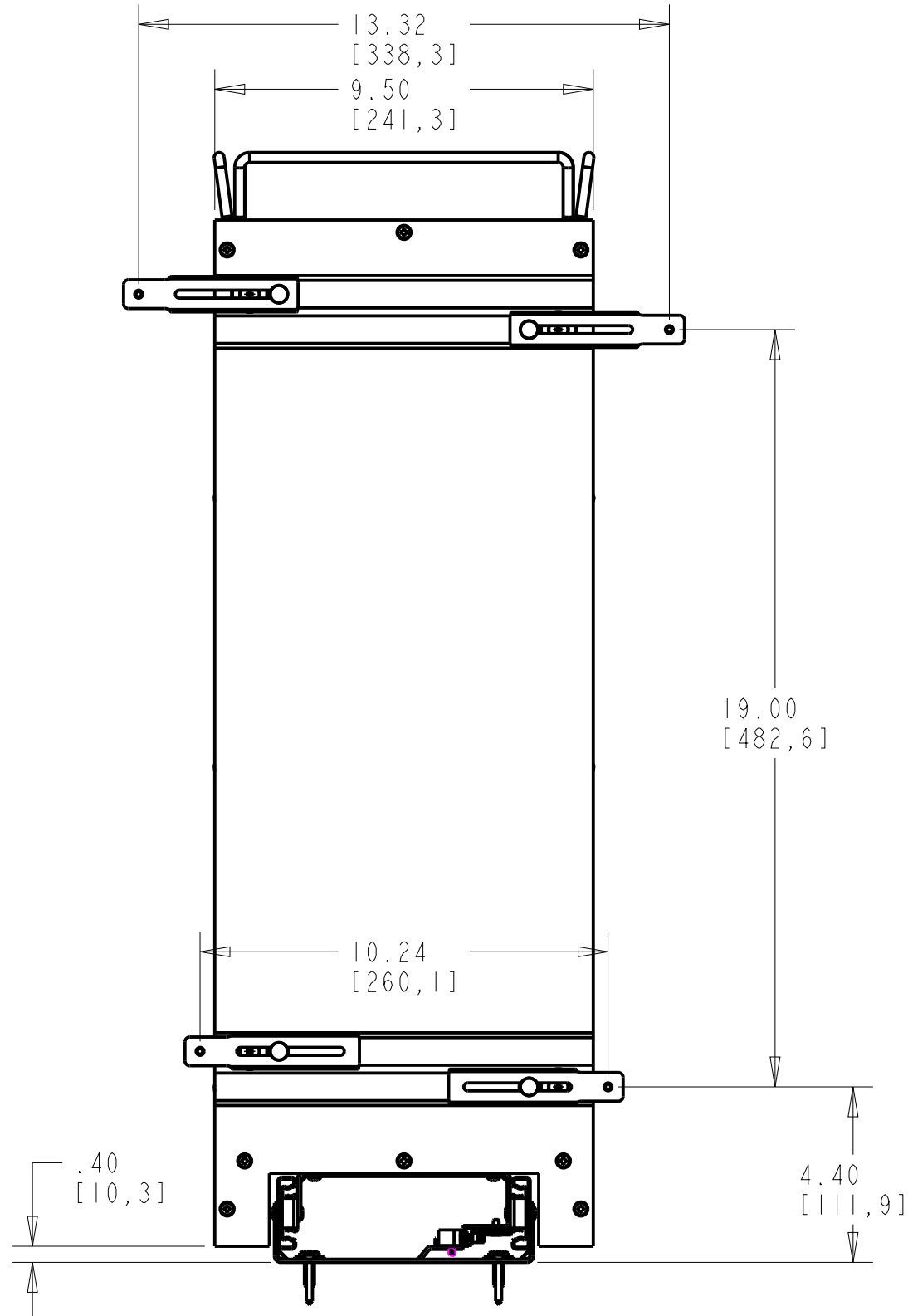
SLIDE SPECIFICATION				
SLIDE TYPE	BALL BEARING	SLIDE EXTENSION	FULL	MAX WEIGHT RATING
SLIDE CLOSING	SOFT	SLIDE LENGTH	267.7 MM	
SLIDE MOUNTING	N/A	SLIDE FINISH	ZINC	100 LBS

CUSTOMER DRAWING

This drawing is the property of Rev-A-Shelf (RAS) and is disclosed in confidence to the extent its subject matter is original to RAS. Any vendor receiving this drawing from RAS shall hold and use this drawing for the sole benefit of RAS and shall not disclose it to, or use or reproduce it for any third party, or perform any act adverse to the interest of RAS with respect to this drawing without the express written permission of RAS. Vendors shall not revise any physical, dimensional or performance characteristic unless authorized by Rev-A-Shelf Engineering.

REV.	DATE	BY	DESCRIPTION OF CHANGE

INCH [MM]	AMERICAN PROJECTION	DRAWN	BY	DATE	
			LKW	8-23-18	
					SIZE B 9.5" FRAMELESS WALL CABINET CUSTOMER DRAWING
TOLERANCES MAT. DEC. (WOOD) .XX ±.03 [.8mm] (OTHER) .XX ±.02 [.5mm] (ALL) .XXX ±.005 [.13 mm] FRACTIONS ±1/32 [.8 mm]			MATERIAL	DRAWING NO.	SCALE
			FINISH	448-BBSCWC-9C	0.250
				PART NO.	SHEET OF
				448-BBSCWC-9C	1 2



CUSTOMER DRAWING

This drawing is the property of Rev-A-Shelf (RAS) and is disclosed in confidence to the extent its subject matter is original to RAS. Any vendor receiving this drawing from RAS shall hold and use this drawing for the sole benefit of RAS and shall not disclose it to, or use or reproduce it for any third party, or perform any act adverse to the interest of RAS with respect to this drawing without the express written permission of RAS. Vendors shall not revise any physical, dimensional or performance characteristic unless authorized by Rev-A-Shelf Engineering.

REV.	DATE	BY	DESCRIPTION OF CHANGE

INCH [MM]	AMERICAN PROJECTION	BY	DATE	<b>REV-A-SHELF, Inc.</b>	
		LKW	8-23-18		
TOLERANCES		MATERIAL	DRAWING NO.		
MAT. DEC. (WOOD) .XX ±.03 [8mm] (OTHER) .XX ±.02 [5mm] (ALL) .XXX ±.005 [13 mm] FRACTIONS ±1/32 [8 mm]		FINISH	448-BBSCWC-9C		
ANGLES ±1/2°		SCALE		SHEET OF	
		0.250		2 2	
		PART NO.		448-BBSCWC-9C	