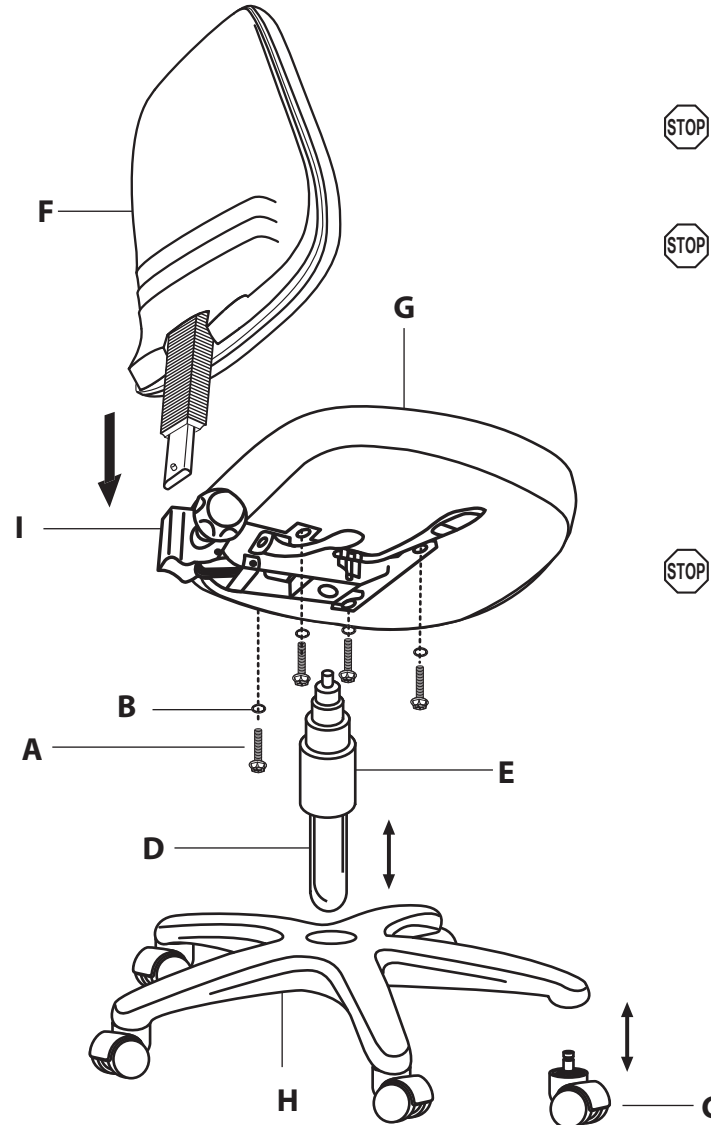
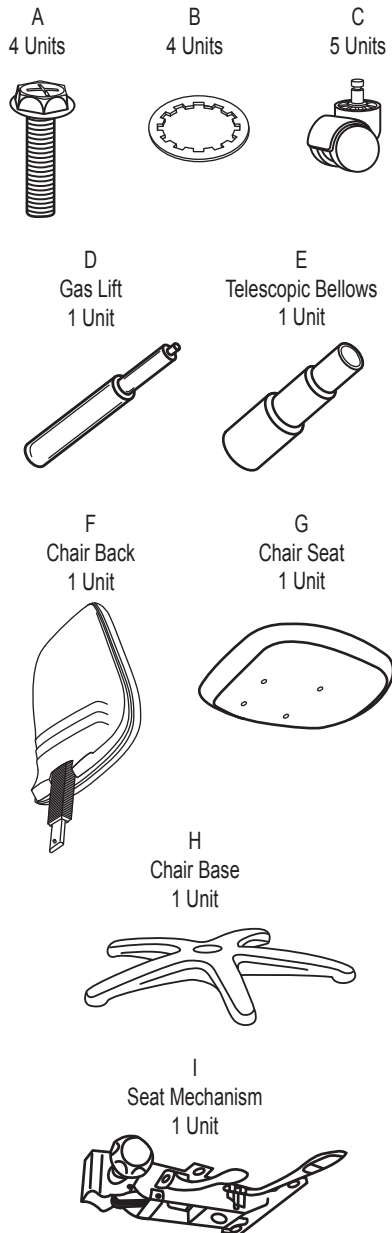


Model 119-VAM/119-VAM-AA/119-VAM-DK/119-VAM-AA-DK Vinyl Posture Task Chair

Parts Listing



WEIGHT CAPACITY: 250 lbs.

Assembly Notes:

During assembly, hand tighten screw only when all screws are in place, you may then tighten all screws completely.

CAUTION:

1. Do not use this chair as a step ladder.
2. Check for loose screws and tighten them every 6 months.

Assembly Instructions:



Tools Needed: Philips Head Screwdriver
Please read all instructions before assembly.

Step 1: Insert Casters (C) into Base (H).



If you are assembling a model with a DK Foot Ring please proceed to subsequent pages for drafting kit assembly instructions.

Step 2: Insert Gas Lift (D) into Base (H).

Step 3: Cover Gas Lift (D) with 3 piece Telescopic Bellows (E).

Step 4: Place Chair Seat (G) upside down on a level, non-abrasive surface and align pre-drilled holes in Seat Mechanism (I), with holes in Chair Seat.

Step 5: Place four Washers (B) onto four 30mm Screws (A) and insert through holes in the Seat Mechanism (I), and into the Chair Seat (G). Tighten with screwdriver.



If you are assembling a model with optional Adjustable Arms please proceed to subsequent pages for armrest assembly instructions.

Step 6: Carefully place Chair Seat (G) with attached Seat Mechanism (I) onto the Gas Lift (D), aligning the hole in the Seat Mechanism with Gas Lift. Press down on Chair Seat to secure onto Base (H).

Step 7: Slide Chair Back (F) with attached back support bar into the slot on Seat Mechanism (I).

Step 8: Hand tighten tension knob on Seat Mechanism (I) until the Chair Back (F) is properly secured.

Step 9: Carefully sit on chair to make sure the Gas Lift (D) is properly inserted into the Base (H).

Step 10: Operate the Gas Lift lever and the back posture adjustment lever on the Seat Mechanism (I), to be sure unit is working properly.

Step 11: Readjust Chair Back (F) by loosening tension knob on the Seat Mechanism (I) accordingly, for your personal comfort.

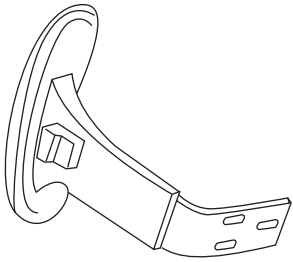
ofm
Furniture For The Real Office™

161 Tradition Trail Holly Springs, NC, 27540
800-520-7471 (voice) 919-362-4765 (fax)
919-303-6389 (voice) www.ofminc.com
support@ofminc.com

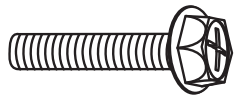
Model AA-1 Adjustable Arms

Parts Listing

A
AA-1 Adjustable Armrest
2 Units



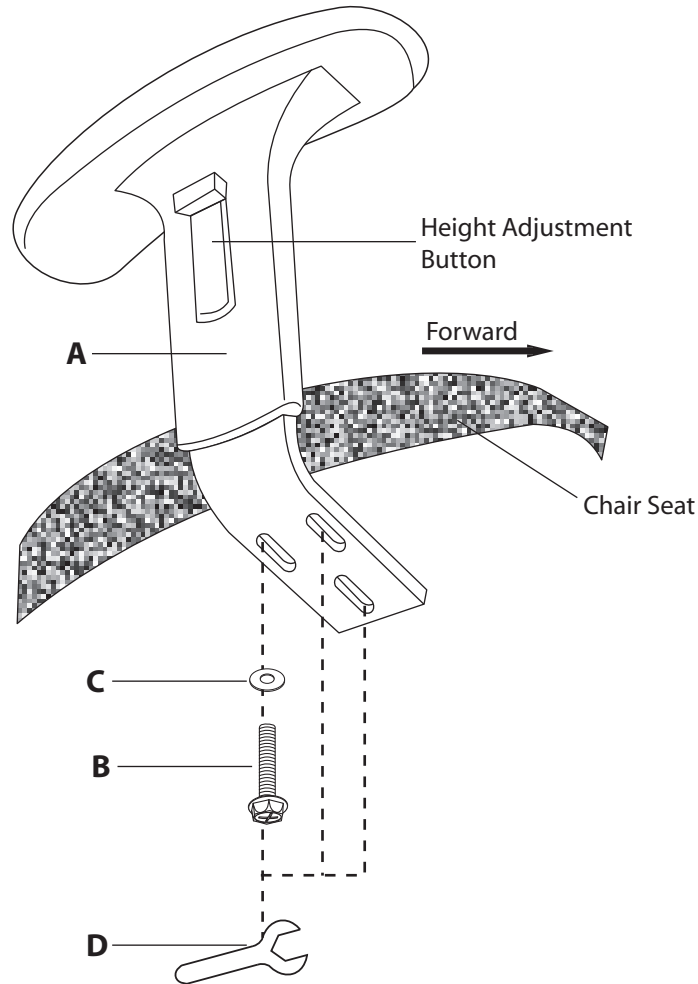
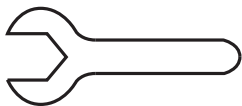
B
M6x25mm Hex Screw
6 Units



C
Washer
6 Units



D
Wrench
1 Unit



Assembly Instructions



Tools Needed: Phillips Head Screwdriver
Please read all instructions before assembly.

- Step 1:** Turn Chair Seat upside down and place on a clean, non-abrasive surface.
- Step 2:** Align the pre-drilled holes in the Adjustable Armrest (A) with the holes in the bottom of the Chair Seat, making sure that the arms face the correct direction.
- Step 3:** Place three Washers (C) onto three M6x25mm Hex Screws (B) and insert through the Armrest (C) holes and into the Chair Seat.
- Step 4:** Tighten Screws (B) using supplied Wrench (D) or screwdriver. It is recommended that to assure screws are secure, a screwdriver is used to tighten.

To Adjust Arms:

Pull up on the Height Adjustment Button and slide to desired height.

Assembly Notes:

During assembly, hand tighten screw only when all screws are in place, you may then tighten all screws completely.

CAUTION:

1. Do not use this chair as a step ladder.
2. Check for loose screws and tighten them every 6 months.

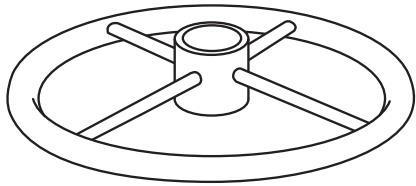
ofm^U_Z
Furniture For The Real Office™

161 Tradition Trail Holly Springs, NC, 27540
800-520-7471 (voice) 919-362-4765 (fax)
919-303-6389 (voice) www.ofminc.com
support@ofminc.com

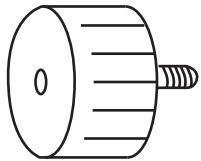
Model DK-2 Drafting Kit Assembly

Parts Listing

A
Circular Foot Rest
1 Unit



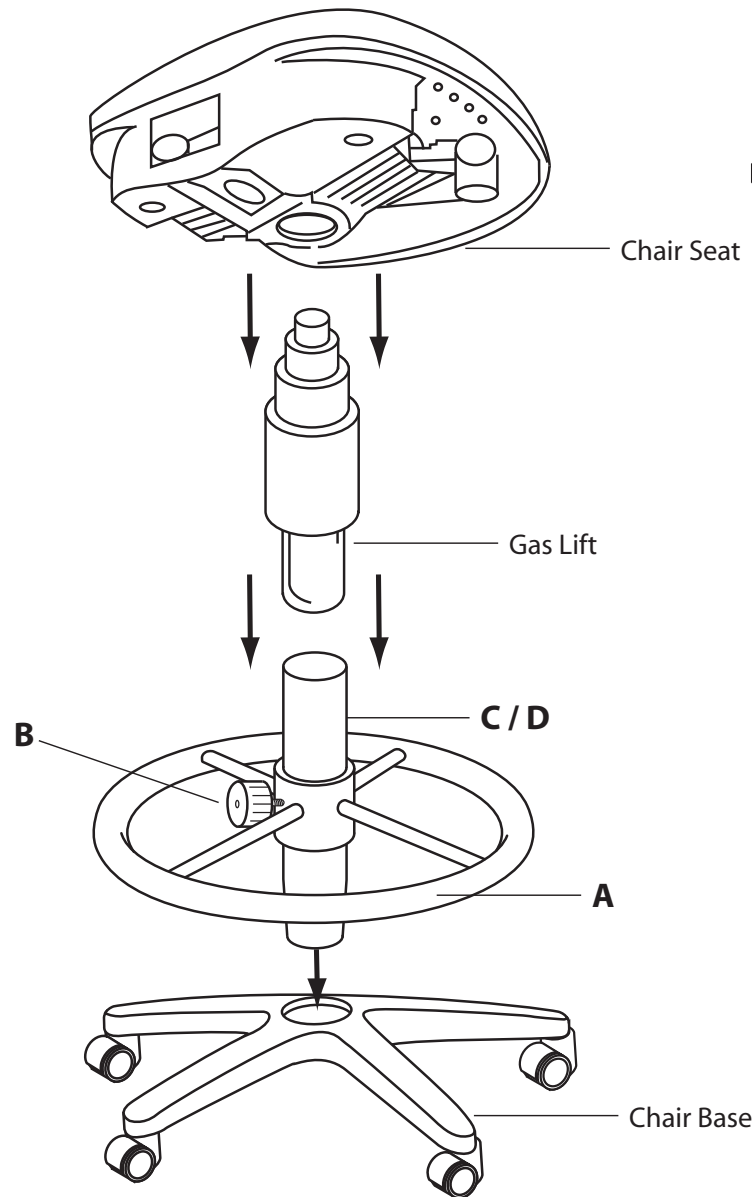
B
Tension Knob
1 Unit



C
9" Extension Tube
1 Unit



D
12" Extension Tube
1 Unit



Assembly Instructions



Please read all instructions before assembly.
Prior to assembly, select only one Extension Tube for desired Height

9" Extension Tube will change seat height from 25.5"-29.75"
12" Extension Tube will change seat height from 28.5-32.75"

- Step 1:** Slide the Circular Foot Rest (A) over the smaller tapered end of your chosen Extension Tube (C / D).
 - Step 2:** Screw in Tension Knob (B) and tighten to lock Foot Rest (A).
 - Step 3:** Place the tapered end of Extension Tube (C / D) into your Chair Base.
 - Step 4:** Insert bottom of Gas Lift Cylinder into the top end of the Extension Tube (C / D).
 - Step 5:** Place the Chair Seat onto the Gas Lift by inserting top of Gas Lift into the hole in the Seat Mechanism.
 - Step 6:** Press down firmly to secure the chair.
- Note:** Save the left over extension tube for future use.