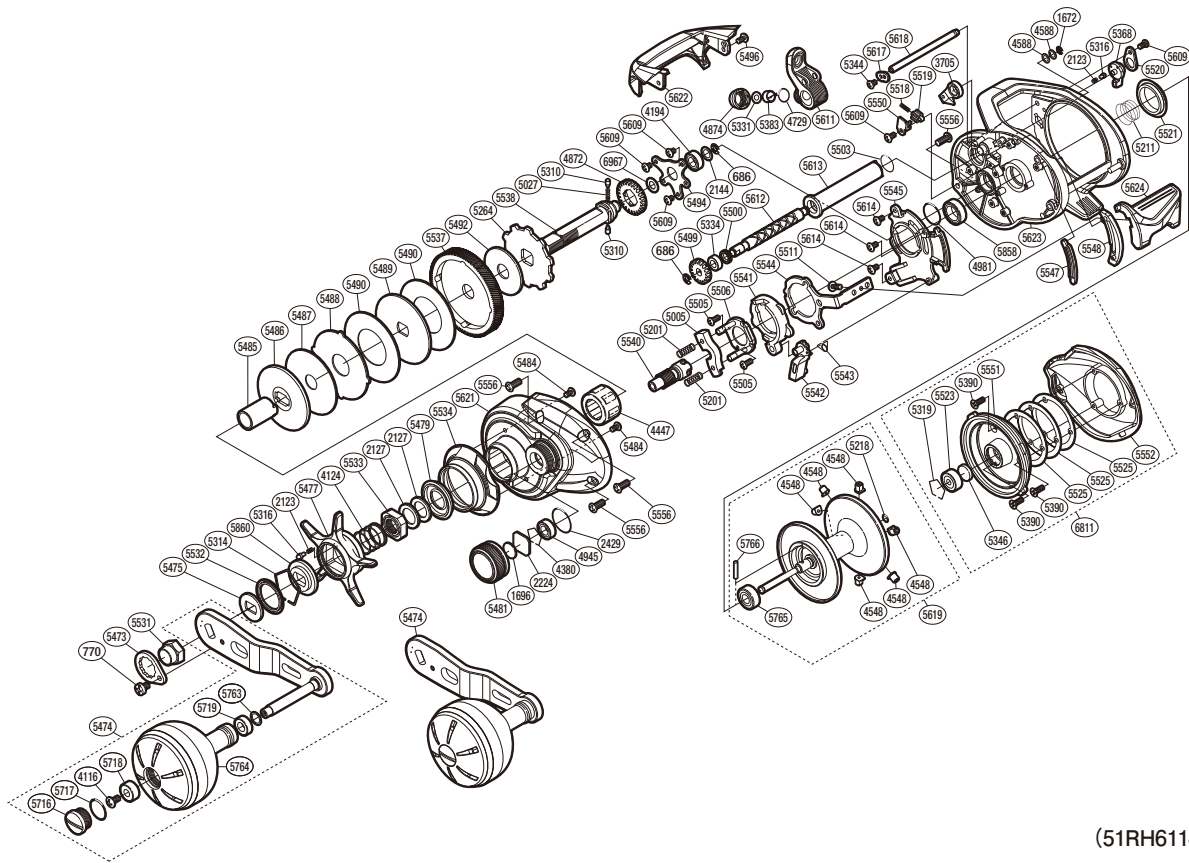


SHIMANO

TRAX

TRX-401HG



(51RH611401X)

#	Part No.	Description	#	Part No.	Description	#	Part No.	Description
0686	105NK	E Lock	5383	10BHQ	Line Guide Pawl	5541	10225	Clutch Cam
0770	10QG0	Screw	5390	10LA4	Screw	5542	1021U	Clutch Pawl
1672	105NC	E Lock	5473	1024C	Handle Nut Plate	5543	1021T	Clutch Pawl Spring
1696	10896	Cast Control Spacer (B)	5474	10SWG	Handle Assembly	5544	1021Z	Clutch Plate
2123	10BT2	Click Spring	5475	10QVN	Drive Shaft Shield	5545	10227	Clutch Guard
2127	10J1N	Star Drag Spacer	5477	10259	Star Drag	5547	1021Y	Clutch Button Seal
2144	10C47	Drive Shaft Washer	5479	10255	Roller Clutch Water Proof	5548	10220	Clutch Bar Guide
2224	1085F	Spool Tension Spacer (A)	5481	10252	Cast Control Cap	5550	1021X	Retention Spring Retainer
2429	108WK	O Ring	5484	10LA3	Screw	5551	1027Z	Dial Case
3705	10MW2	Anti-Reverse Pawl	5485	10250	Roller Clutch Inner Tube	5552	1020V	Right Side Plate
4116	103E9	Screw	5486	1025E	Key Washer	5556	10U0T	Screw
4124	10A70	Star Drag Spring	5487	1024D	Drag Washer	5609	10LCT	Screw
4194	105BP	Ball Bearing	5488	1024F	Eared Washer	5611	10QW4	Line Guide
4380	1057X	Retainer	5489	1024E	Key Washer	5612	10RUS	Worm Shaft
4447	10F37	Roller Clutch Bearing	5490	1025D	Drag Washer	5613	10RUT	Level Wind Guard
4548	10CMP	Brake Collar	5492	1025A	Drag Washer	5614	10SUT	Screw
4588	10FJZ	Washer	5494	1024G	Drive Shaft Retainer	5617	101LJ	Stabilizer Bar Retainer
4729	108WQ	O Ring	5496	10LCZ	Screw	5618	10RUR	Stabilizer Bar
4872	10J47	Idle Gear	5499	1024Q	Idle Gear	5619	10QVZ	Spool Assembly
4874	10FJB	Pawl Cap	5500	1024R	Worm Shaft Seal	5621	10SVQ	Left Side Plate
4945	105BR	Ball Bearing	5503	101GT	O Ring	5622	10SVR	Level Wind Protector
4981	10LA8	O Ring	5505	10LVJ	Screw	5623	10QW5	Frame
5005	1046Y	Yoke	5506	10QVM	Clutch Cam Retainer	5624	10SJR	Clutch Lever
5027	10JDZ	Idle Gear Spring	5511	10LCL	Screw	5716	10B2C	Handle Knob Seal
5201	104BC	Yoke Spring	5518	101J6	Clutch Retention Spring	5717	10LAB	O Ring
5211	10EZE	Bearing Pressure Spring	5519	10TZC	Clutch Retention Pin	5718	10EUU	Handle Knob Bushing A
5218	10EZ7	O Ring	5520	101UL	Cam Lever Retainer	5719	104UJ	Handle Knob Bushing
5264	10D73	Anti-Reverse Ratchet	5521	1024L	Frame Center Seal	5763	10HV4	Washer
5310	10HJG	Idle Gear Pin	5523	105C2	Ball Bearing	5764	100MT	Handle Knob
5314	10KXW	Click Plate Retainer	5525	1024K	Washer	5765	105CA	Ball Bearing
5316	10MFC	Click Pin	5531	10R3C	Handle Nut	5766	10MD1	Spool Clutch Pin
5319	1054D	Bearing Retainer	5532	10QVP	Star Drag Seal	5858	105BT	Ball Bearing
5331	104TX	Spacer	5533	10SRQ	Star Drag Nut	5860	10J26	Star Drag Click Plate
5334	10PXZ	Bushing	5534	10224	Clutch Button Attachment	6811	100D0	Right Side Plate Assembly
5344	10MPD	Screw	5537	1021E	Drive Gear	6967	10GR7	Washer
5346	10EX5	Spacer B	5538	10228	Drive Shaft			
5368	1019C	Side Plate Cam Lever	5540	10216	Pinion Gear			

Please note that the number of adjusting washers may not be the same as shown in the exploded views.
(Adjustment will vary with each individual product.)

(230707)_016