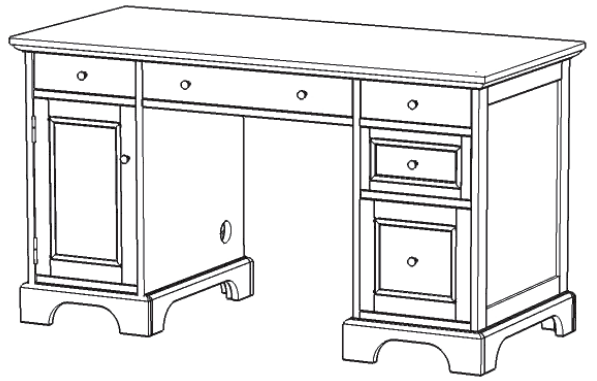


# Pedestal Desk



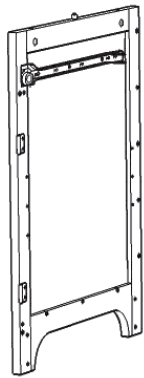
## IMPORTANT

Carefully remove all the parts from the carton and place them individually on a soft cloth to prevent scratches or other damage.

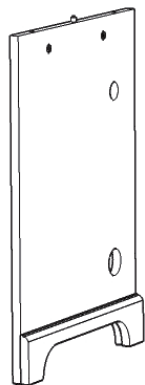
Carefully and strictly follow these assembly instructions to ensure a completed product as designed.

Do not use power tools above 8 volts to assemble.

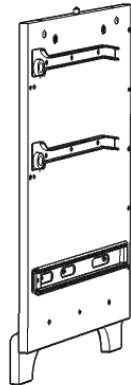
## Part List



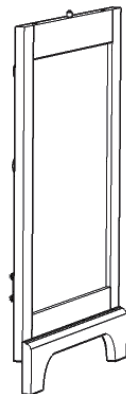
B.  
Side Panel  
1 pc.



C.  
Side Panel  
1 pc.



D.  
Side Panel  
1 pc.



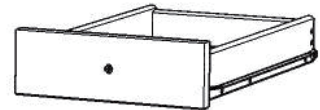
E.  
Side Panel  
1 pc.



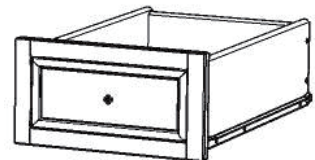
F.  
Front Rail  
2 pcs.



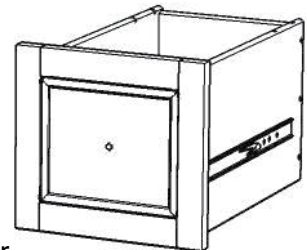
G.  
Front Rail  
1 pc.



T.  
Drawer  
2 pcs.



U.  
Drawer  
1 pc.

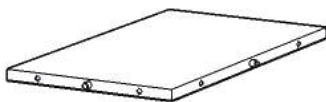


V.  
Drawer  
1 pc.

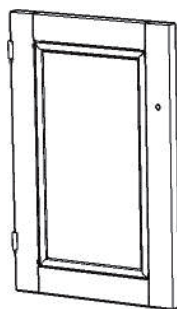
Refer to later page(s) of these instructions for drawer assembly.



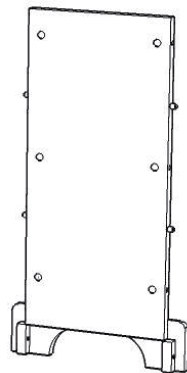
R.  
Shelf  
1 pc.



H.  
Base  
2 pcs.



S.  
Door  
1 pc.



I.  
Back Panel  
2 pcs.



J.  
Plinth  
2 pcs.

Carton 88 5531 181 is also needed for assembly.

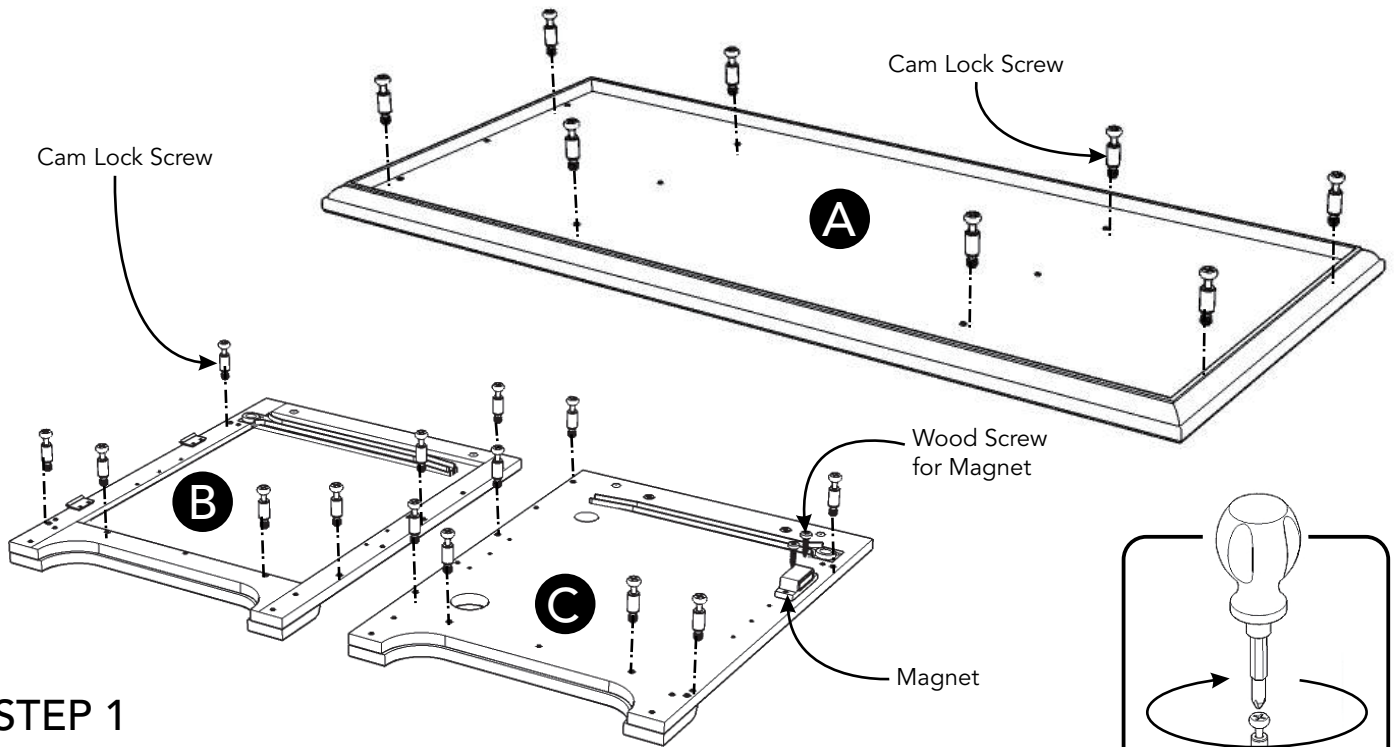
Tool(s) required for assembly: Phillips screwdriver

Home Styles Customer Service: [www.homestyles-furniture.com](http://www.homestyles-furniture.com),  
[servicedesk@homestyles-furniture.com](mailto:servicedesk@homestyles-furniture.com), 888-680-7460, 877-831-0319

# Assembly Instructions 2/8

## IMPORTANT

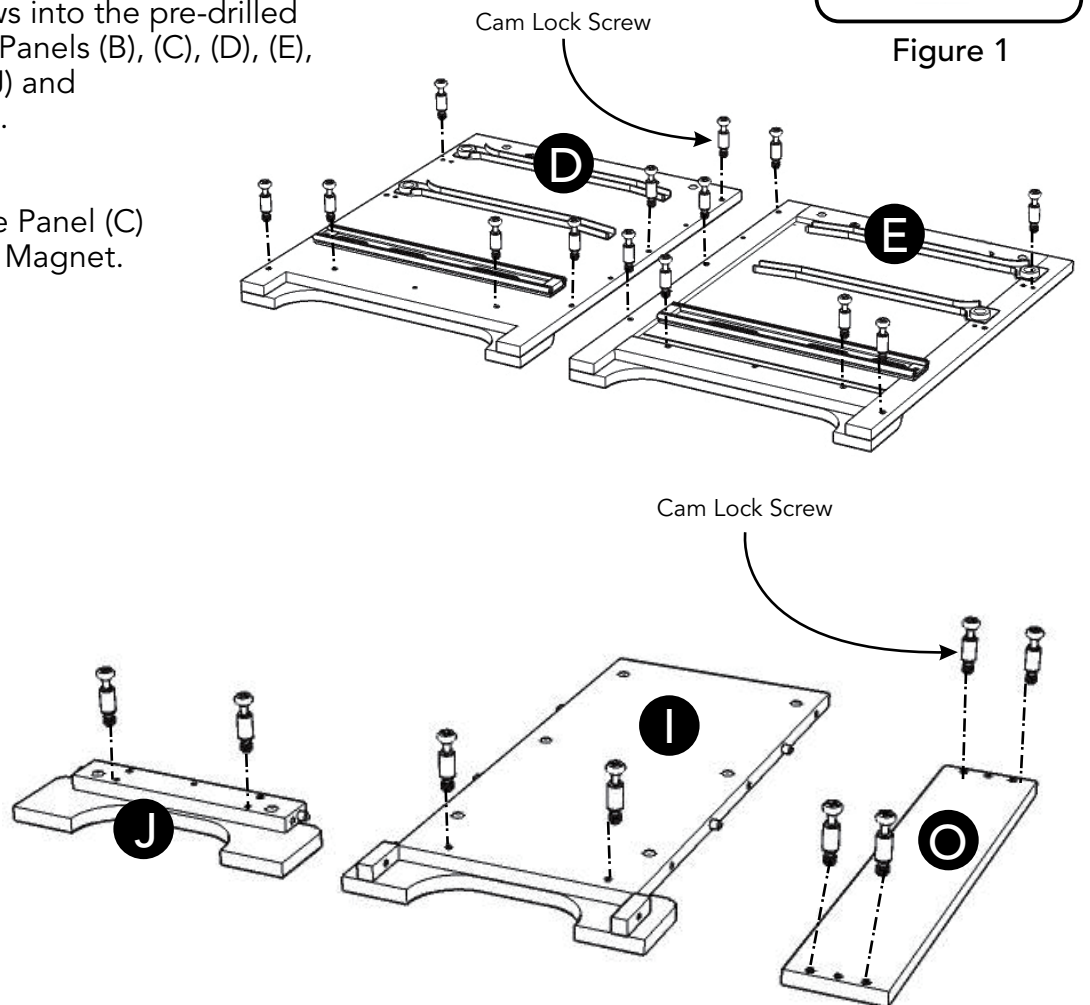
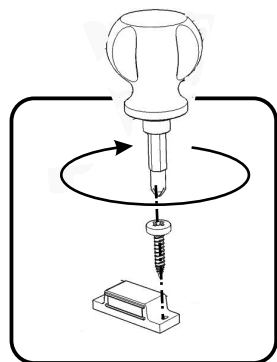
- Use a soft cloth between these parts and the floor.
- Do not use power tools above 8 volts to assemble.
- Do not tighten all the bolts until each part is properly assembled.
- Keep Hex Wrench in a safe place as the bolts may need to be tightened up in the future.



## STEP 1

Insert Cam Lock Screws into the pre-drilled holes of Top (A), Side Panels (B), (C), (D), (E), Back Panel (I), Plinth (J) and Keyboard Support (O). (See Figure 1)

Attach Magnet to Side Panel (C) with Wood Screws for Magnet. (See Figure 2)



## Assembly Instructions 3/8

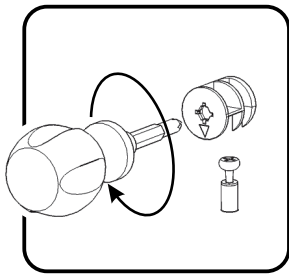
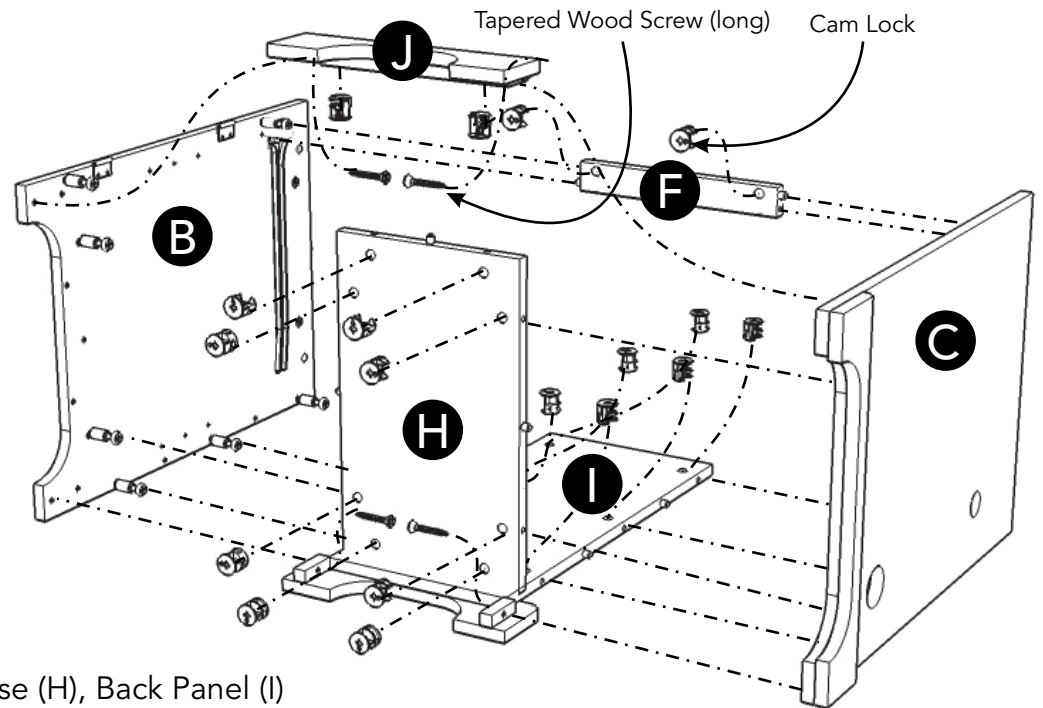


Figure 3

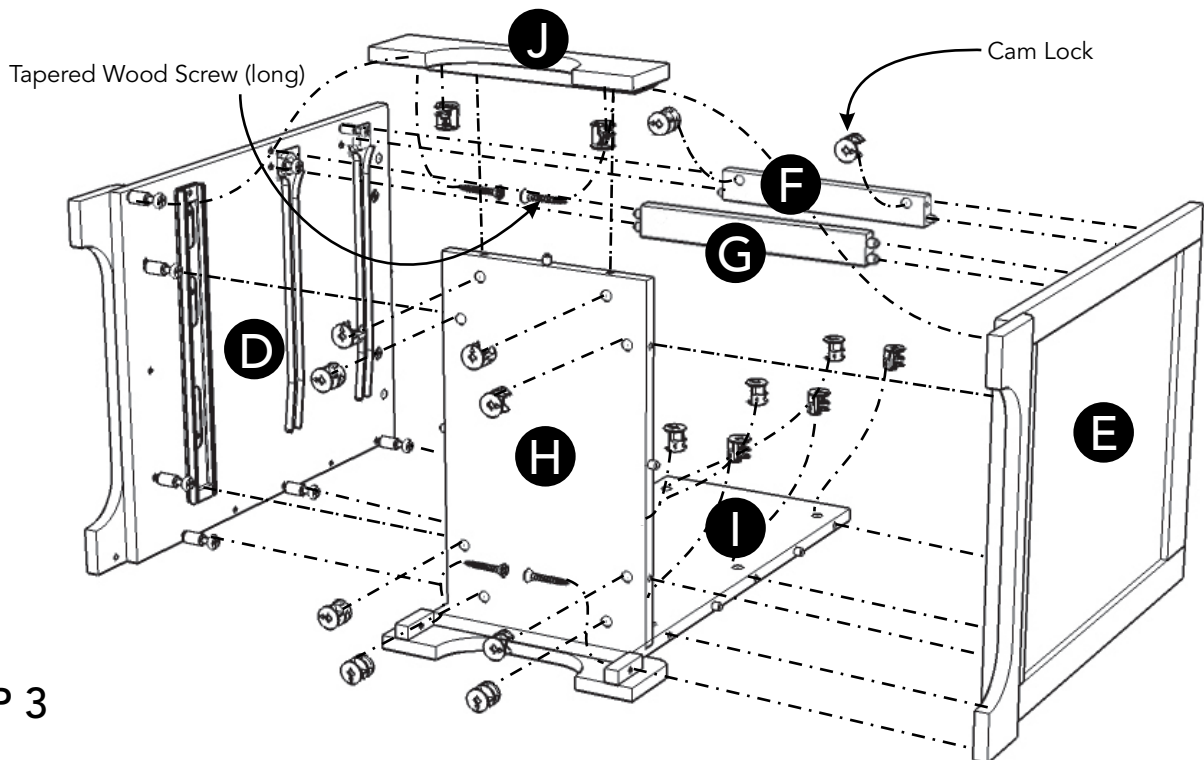


### STEP 2

Attach Front Rail (F), Base (H), Back Panel (I) and Plinth (J) to Side Panel (B) with Cam Locks. (See Figure 3)

Attach Side Panel (C) to unit with Cam Locks.

Insert Tapered Wood Screws (long) into pre-drilled holes of unit, then tighten.



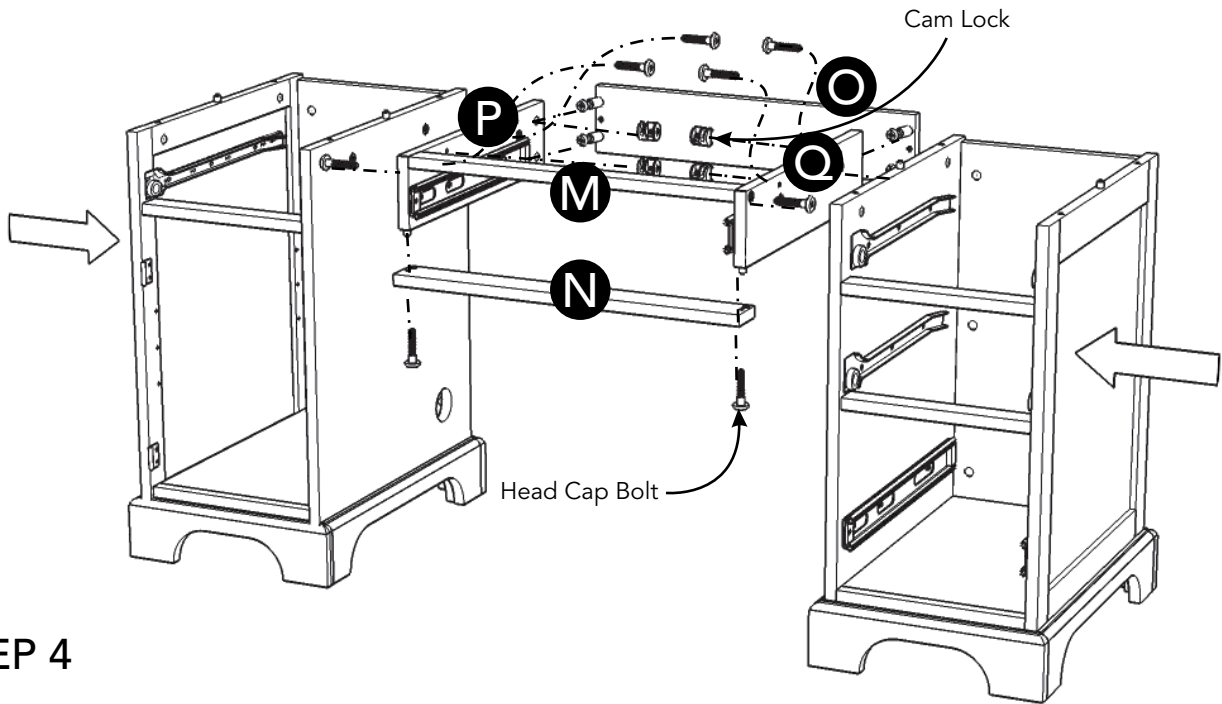
### STEP 3

Attach Front Rails (F), (G), Base (H), Back Panel (I) and Plinth (J) to Side Panel (D) with Cam Locks.

Attach Side Panel (E) to unit with Cam Locks.

Insert Tapered Wood Screws (long) into pre-drilled holes of unit, then tighten.

# Assembly Instructions 4/8



## STEP 4

Attach Keyboard Rails (M) and (N) to Keyboard Boxes (P) and (Q) with Head Cap Bolts. (See Figure 4)

Attach Keyboard Support (O) to unit with Cam Locks.

Attach unit from Steps 2 and 3 to unit with Head Cap Bolts.

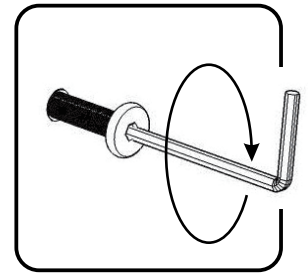


Figure 4

## STEP 5

Attach Top (A) to unit with Cam Locks.

Attach Keyboard (K) to Keyboard (L) with Wood Screws (short). (See Figure 5)

Attach Knobs to keyboard with Machine Screws. (See Figure 6)

Slide keyboard into position.

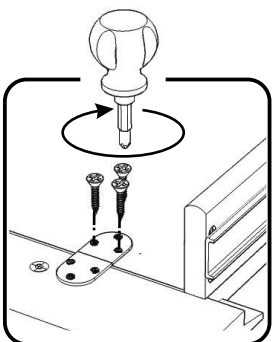
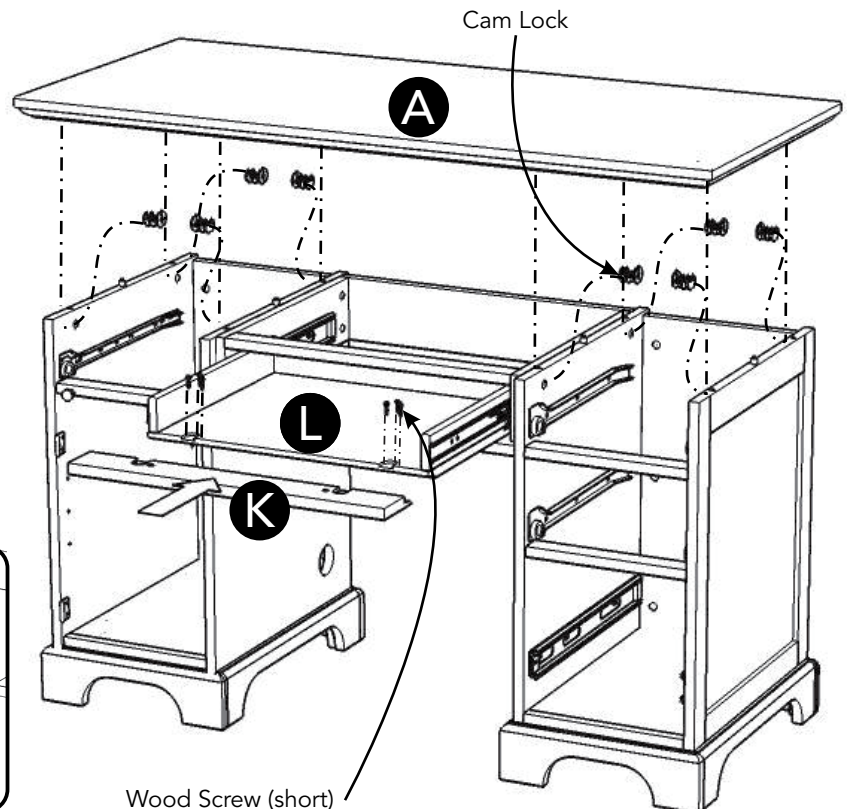


Figure 5

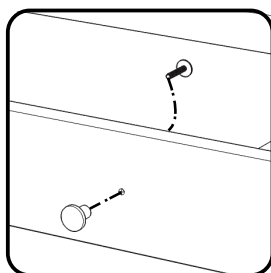
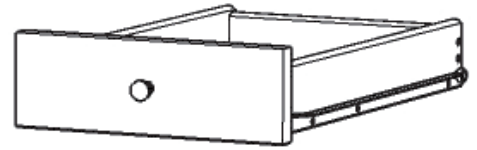


Figure 6

# Assembly Instructions 5/8

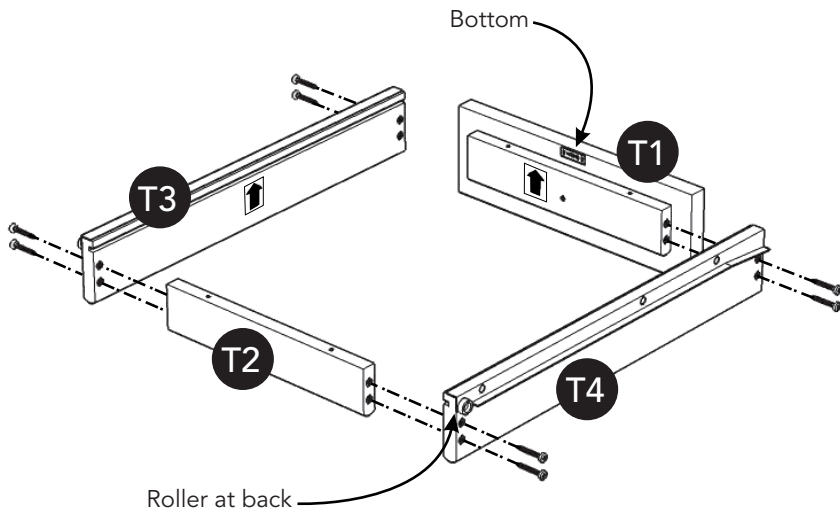
## Drawer (T)



### STEP 6

Attach Drawer Front (T1) and Drawer Back (T2) to Drawer Side (T3) with Wood Screws (long).

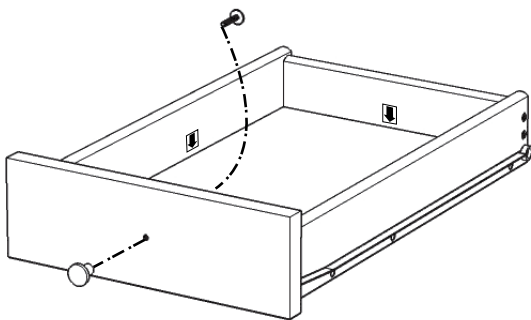
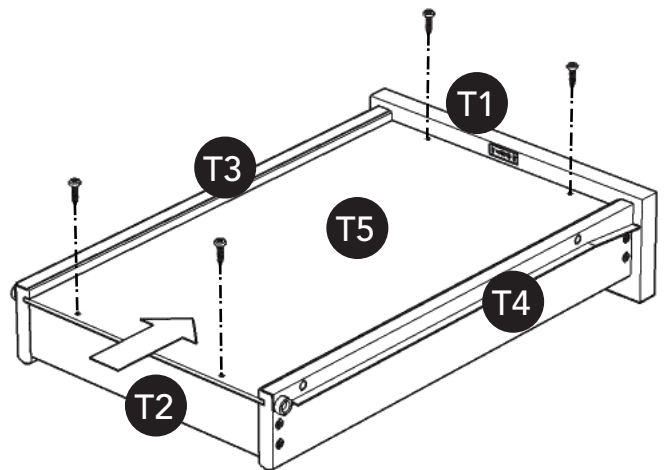
Attach Drawer Side (T4) to unit with Wood Screws (long).



### STEP 7

Slide Drawer Bottom (T5) into the grooves of Drawer Sides (T3) and (T4) until it meets Drawer Front (T1).

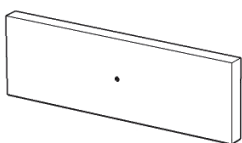
Attach Drawer Bottom (T5) to unit with Wood Screws (short).



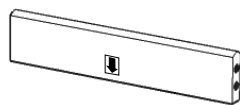
### STEP 8

Attach Knob with Machine Screw.

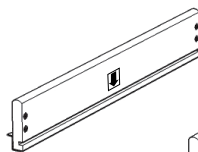
## Part List



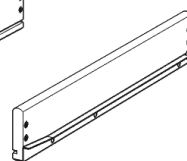
T1.  
Drawer Front  
2 pcs.



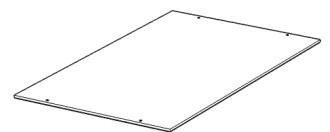
T2.  
Drawer Back  
2 pcs.



T3.  
Drawer Side  
2 pcs.



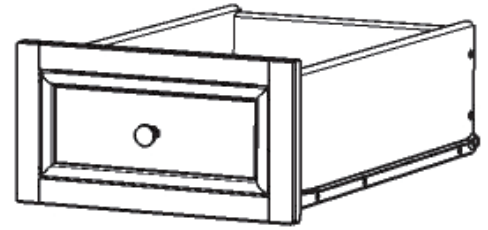
T4.  
Drawer Side  
2 pcs.



T5.  
Drawer Bottom  
2 pcs.

# Assembly Instructions 6/8

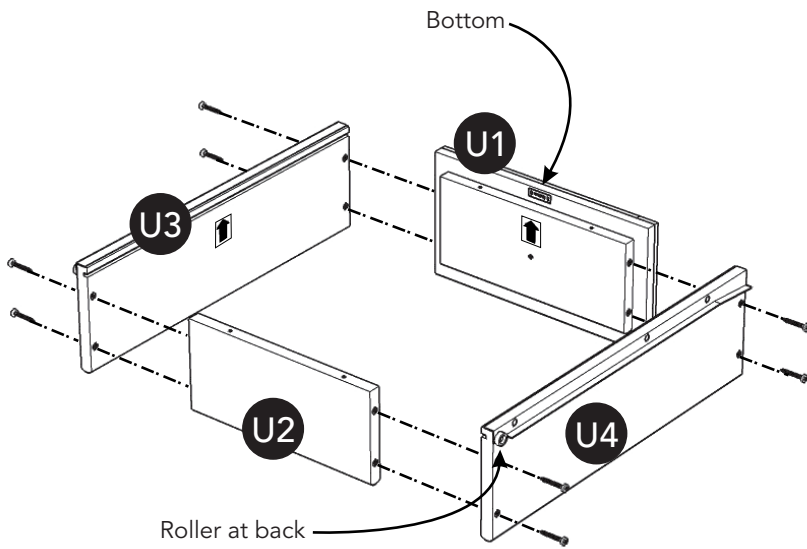
## Drawer (U)



### STEP 9

Attach Drawer Front (U1) and Drawer Back (U2) to Drawer Side (U3) with Wood Screws (long).

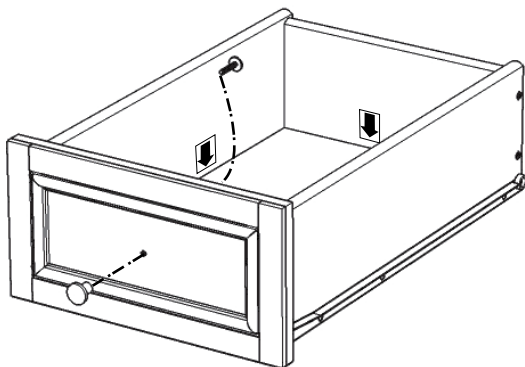
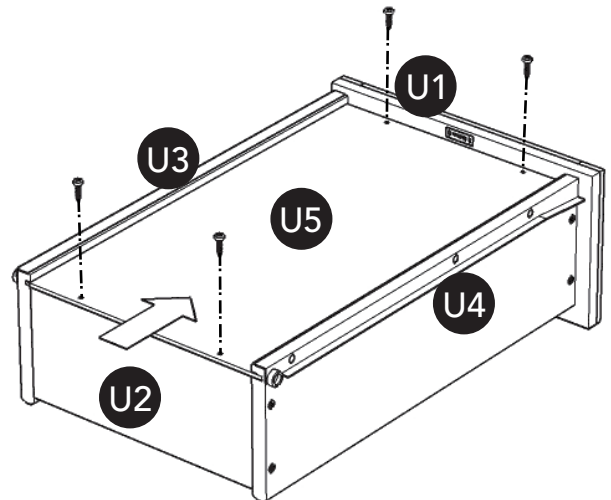
Attach Drawer Side (U4) to unit with Wood Screws (long).



### STEP 10

Slide Drawer Bottom (U5) into the grooves of Drawer Sides (U3) and (U4) until it meets Drawer Front (U1).

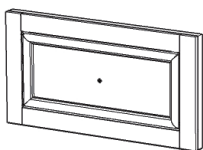
Attach Drawer Bottom (U5) to unit with Wood Screws (short).



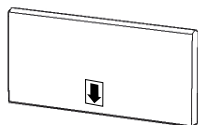
### STEP 11

Attach Knob with Machine Screw.

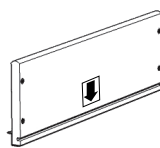
## Part List



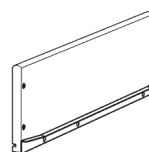
U1.  
Drawer Front  
1 pc.



U2.  
Drawer Back  
1 pc.



U3.  
Drawer Side  
1 pc.



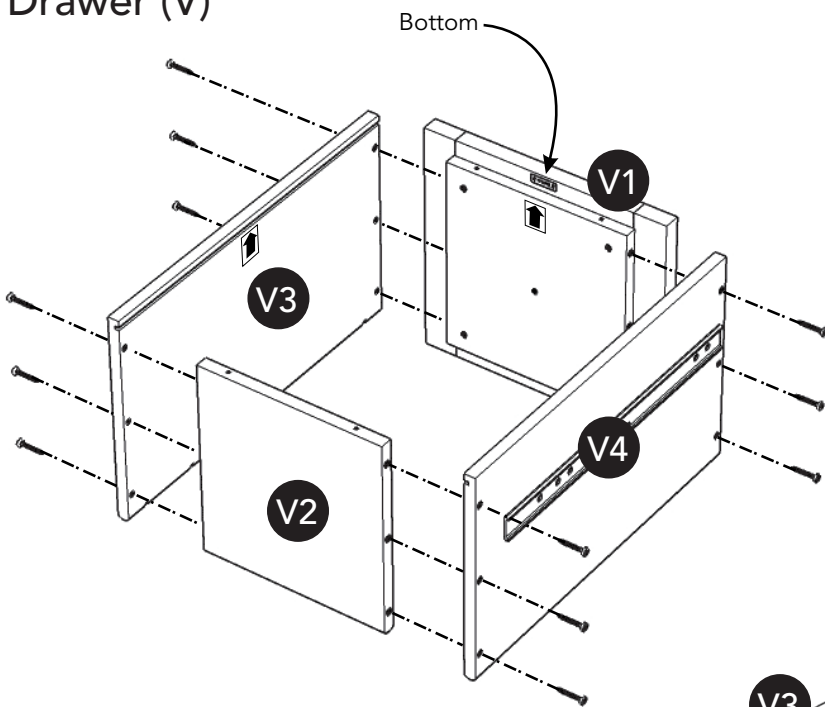
U4.  
Drawer Side  
1 pc.



U5.  
Drawer Bottom  
1 pc.

# Assembly Instructions 7/8

## Drawer (V)



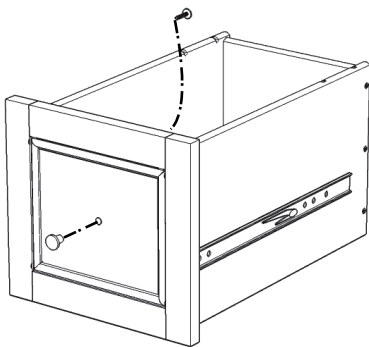
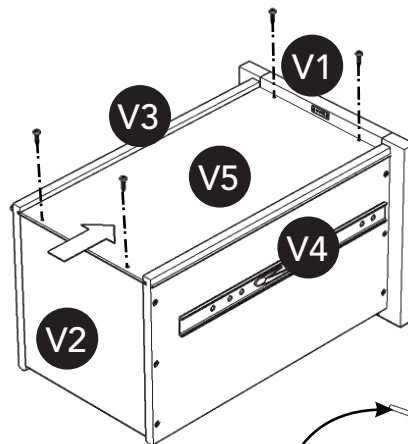
### STEP 12

Attach Drawer Front (V1) and Drawer Back (V2) to Drawer Side (V3) with Wood Screws (long).

Attach Drawer Side (V4) to unit with Wood Screws (long).

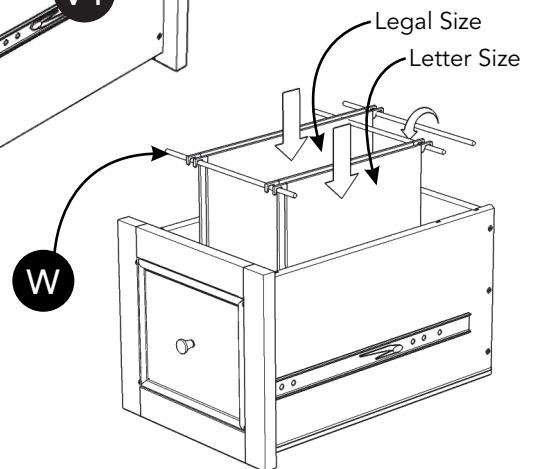
Slide Drawer Bottom (V5) into the grooves of Drawer Sides (V3) and (V4) until it meets Drawer Front (V1).

Attach Drawer Bottom (V5) to unit with Wood Screws (short).



### STEP 14

Attach Knob with Machine Screw.

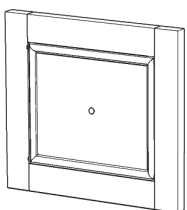


### STEP 15

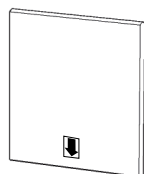
Place Metal Strips (W) into position.

The Metal strip can be adjusted for letter size or legal size files as shown.

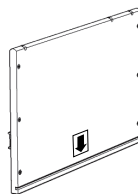
## Part List



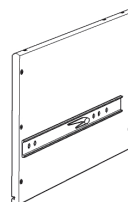
V1.  
Drawer Front  
1 pc.



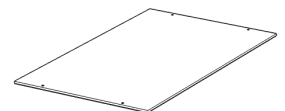
V2.  
Drawer Back  
1 pc.



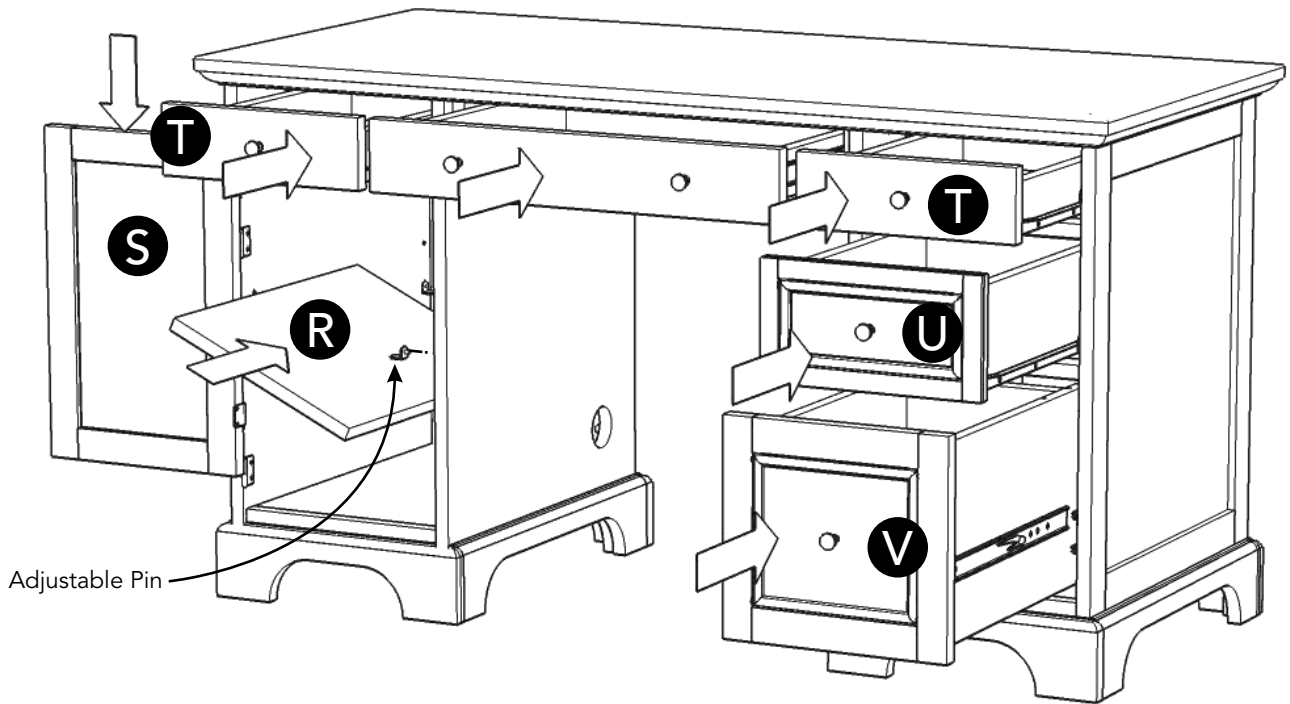
V3.  
Drawer Side  
1 pc.



V4.  
Drawer Side  
1 pc.



V5.  
Drawer Bottom  
1 pc.



## STEP 16

Insert Adjustable Pins into side panels at the desired level. (See Figure 7)

Place Shelf (R) into position.

Attach Knob to Door (S) with Machine Screw. (See Figure 8)

Attach Door (S) to unit by sliding the door lift hinges into the side panel lift hinges. (See Figure 9)

Slide Drawers (T), (U) and (V) into position.

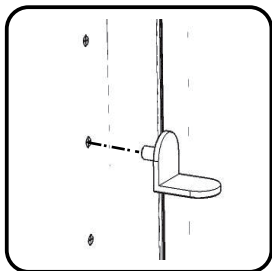


Figure 7

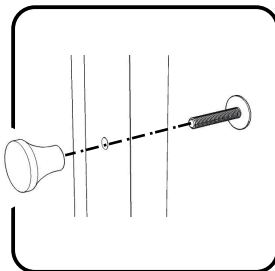


Figure 8

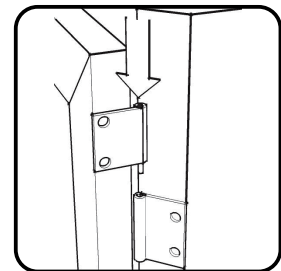


Figure 9



# CARE INSTRUCTIONS

## NEVER

allow liquids to remain on furniture.  
Absorption causes parts to warp  
and split and finishes to delaminate.

## NEVER

use glass cleaners on  
finished furniture. Ammonia  
chemically attacks the finish.



Do not use power tools  
above 8 volts to assemble.

**PREVENT  
CRACKING**



Do not place  
in direct sunlight.

**PREVENT  
FADING**



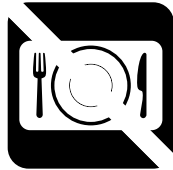
Do not write  
directly on surface.

**PREVENT  
MARKING**



Do not place hot  
objects on surface.

**PREVENT  
FINISH DAMAGE**



Do not use rubber  
based placemats.

**PREVENT  
DISCOLORING**



Do not use commercial  
waxes and polishes.

**PREVENT  
YELLOWING**

## CLEAN

with a soft cloth moistened  
in lukewarm soap and water.  
Buff with a dry clean cloth.



Home Styles will provide replacements free of charge for missing or damaged hardware or parts within 30 days of purchase. Digital images of the defective parts may be required. If the product was not purchased from an authorized retail affiliate, Home Styles is under no obligation to provide replacement parts. Parts are not available for fully assembled items nor are parts available for sale. Replacements for missing or damaged hardware or parts may be requested at:

[www.homestyles-furniture.com/customer-service/replacement-parts](http://www.homestyles-furniture.com/customer-service/replacement-parts)

Home Styles Customer Service: [www.homestyles-furniture.com](http://www.homestyles-furniture.com),  
[servicedesk@homestyles-furniture.com](mailto:servicedesk@homestyles-furniture.com), 888-680-7460, 877-831-0319