



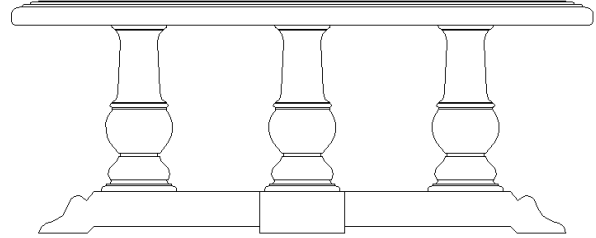


ASSEMBLY INSTRUCTION

Item#: 5960-80111-MULTI Medina Round Cocktail Table

*** Please make sure you have all parts indicated below prior to assembly.
This unit is heavy and can best be assembled with the help of two or more people

NO.	HARDWARE LIST		Q'TY
A		FLAT WASHER	4
B		LOCK WASHER	4
C		BOLT	4
D		ALLEN WRENCH	1



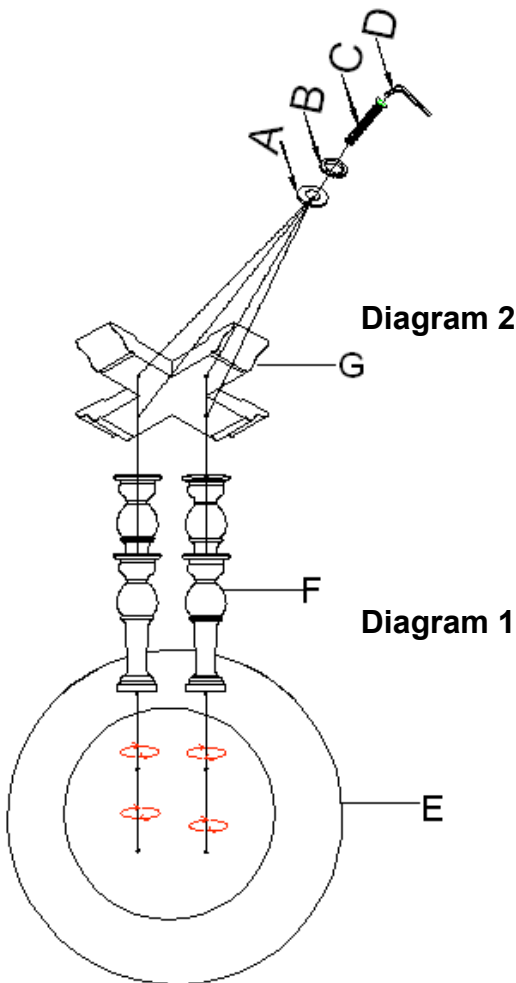
1. Place table top (E) upside down on a soft surface to prevent it from being scratched.

2. Screw columns (F) into top (E) tightly in clockwise direction. (See Diagram 1)

3. Attach base (G) to columns (F) by using bolts (C), lock washers (B) and flat washers (A), secure with allen wrench (D) in clockwise direction. (See Diagram 2)

4. Turn table upright.

Caution: Do not over tighten.



Cleaning Instruction: Clean finished parts with a mild dishwashing liquid and water solution on a damp cloth.
Polish the finish with soft cloth and an industry recognized furniture polish.