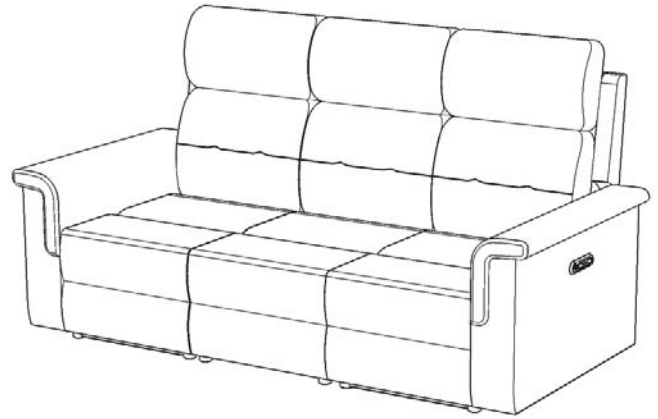


homestyles®

20 05325 00CS

Center Seat



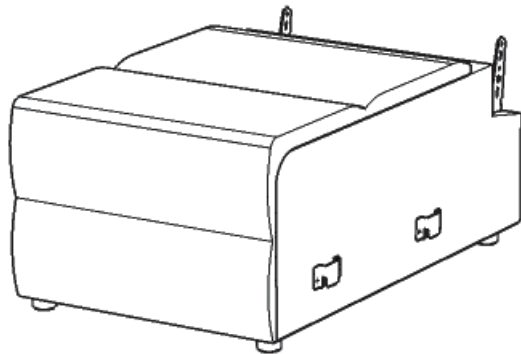
IMPORTANT

Carefully remove all the parts from the carton and place them individually on a soft cloth to prevent scratches or other damage.

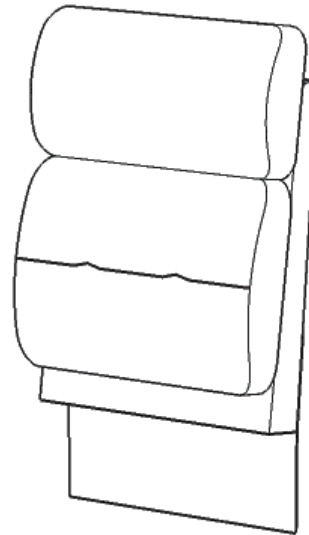
Carefully and strictly follow these assembly instructions to ensure a completed product as designed.

Do not use power tools above 8 volts to assemble.

Part List



E.
Seat
1 pc.



F.
Back
1 pc.

Cartons 20 05325 00LS and 20 05325 00RS are also needed for assembly.

31940 AL

Home Styles Customer Service: www.homestyles-furniture.com,
servicedesk@homestyles-furniture.com, 888-680-7460, 877-831-0319

Assembly Instructions 2/6

STEP 1

Attach plug of Back (B) to plug of Seat (A), then flip the lock. (See Figures 1 and 2)

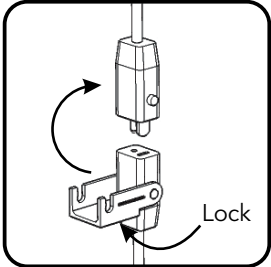


Figure 1

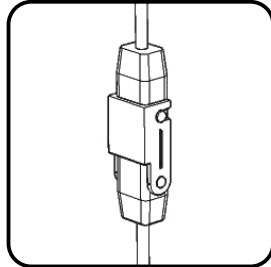
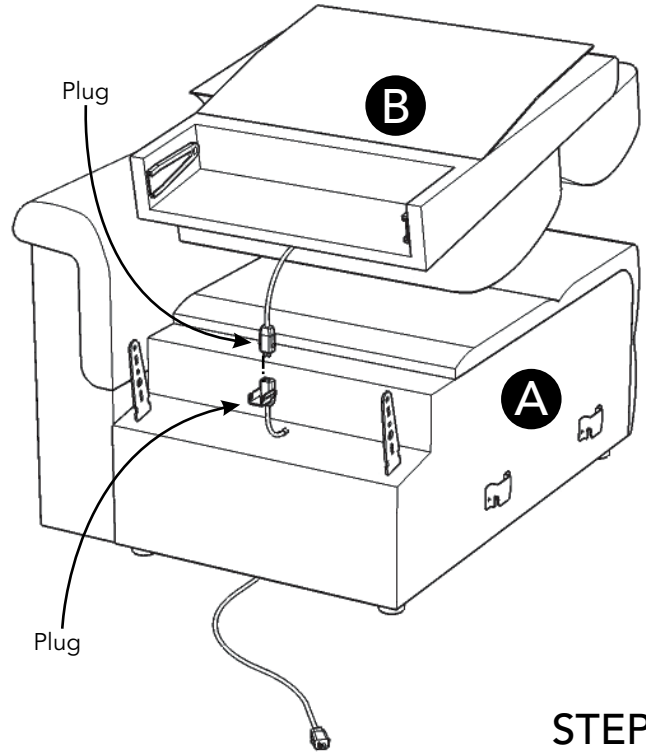


Figure 2



STEP 2

Attach Back (B) to Seat (A). (See Figure 3)

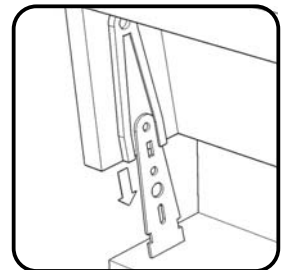
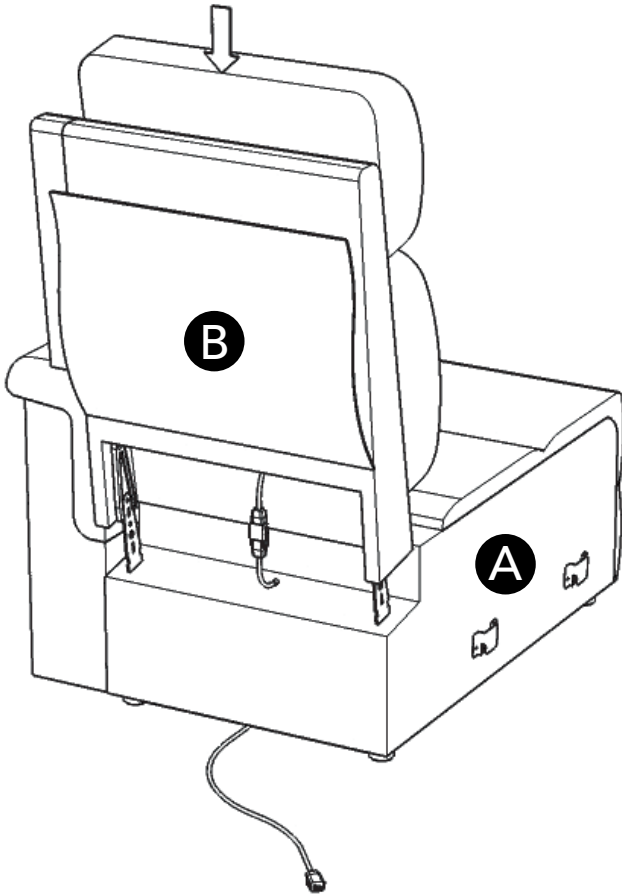
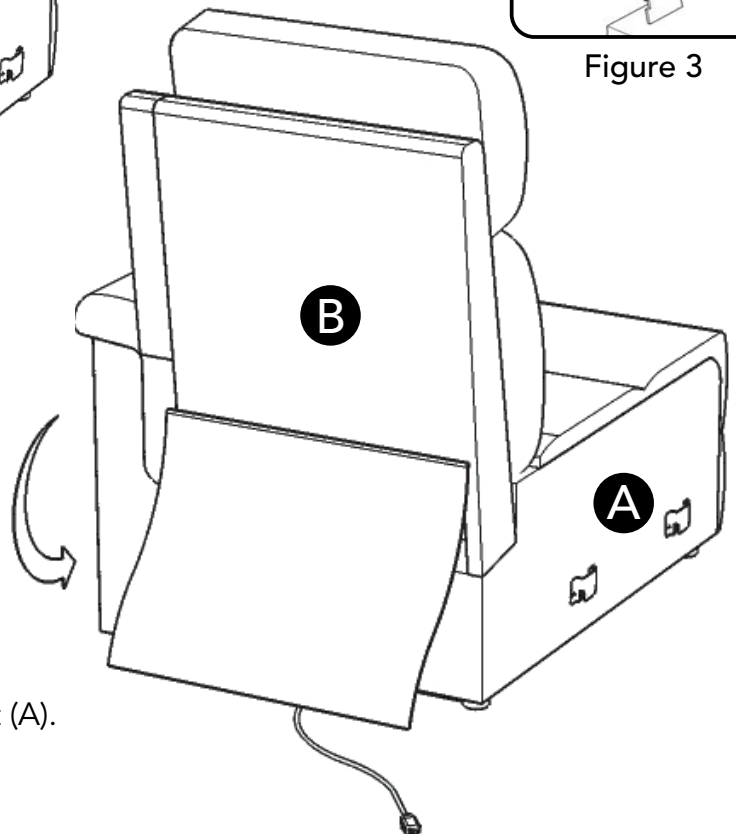


Figure 3

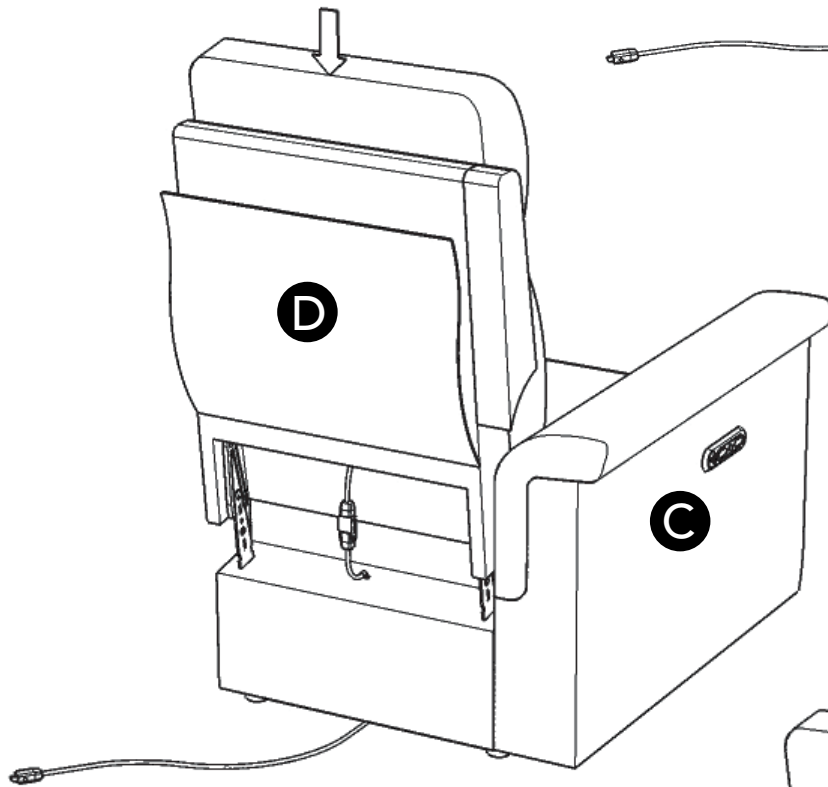
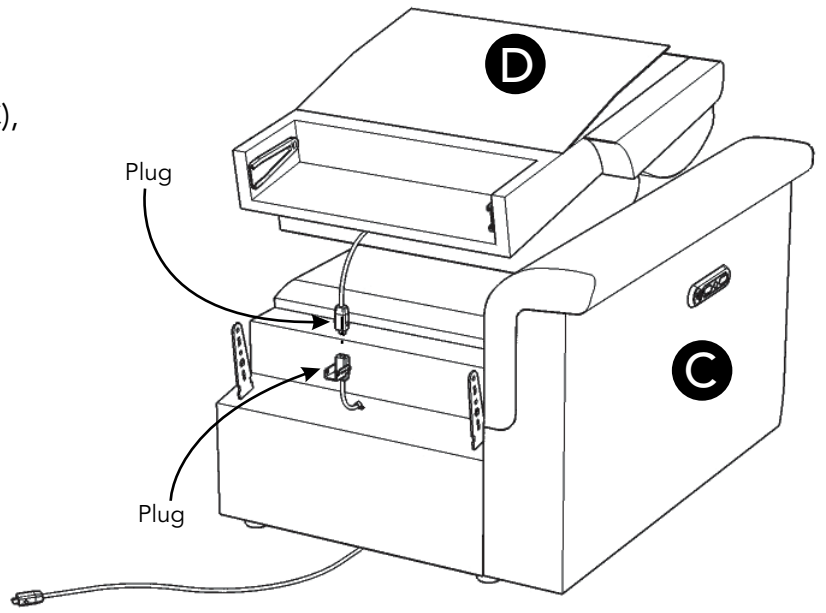


STEP 3

Attach back flap of Back (B) to back of Seat (A).

STEP 4

Attach plug of Back (D) to plug of Seat (C), then flip the lock.

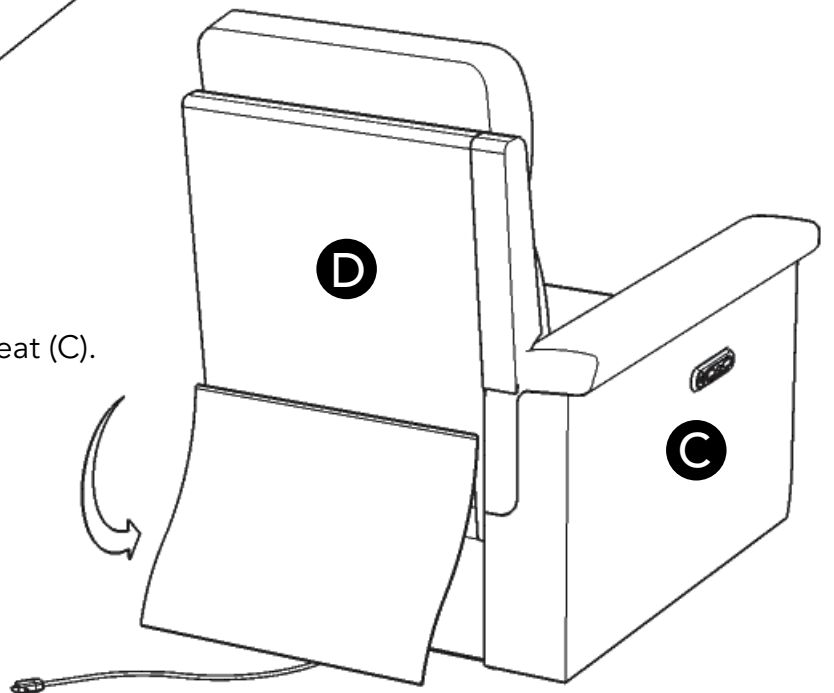


STEP 5

Attach Back (D) to Seat (C).

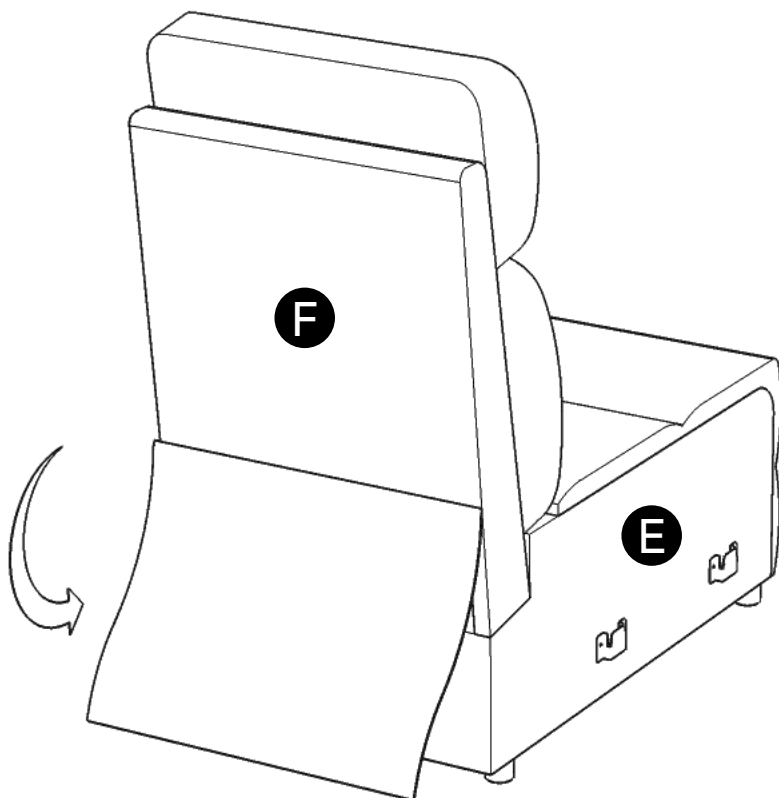
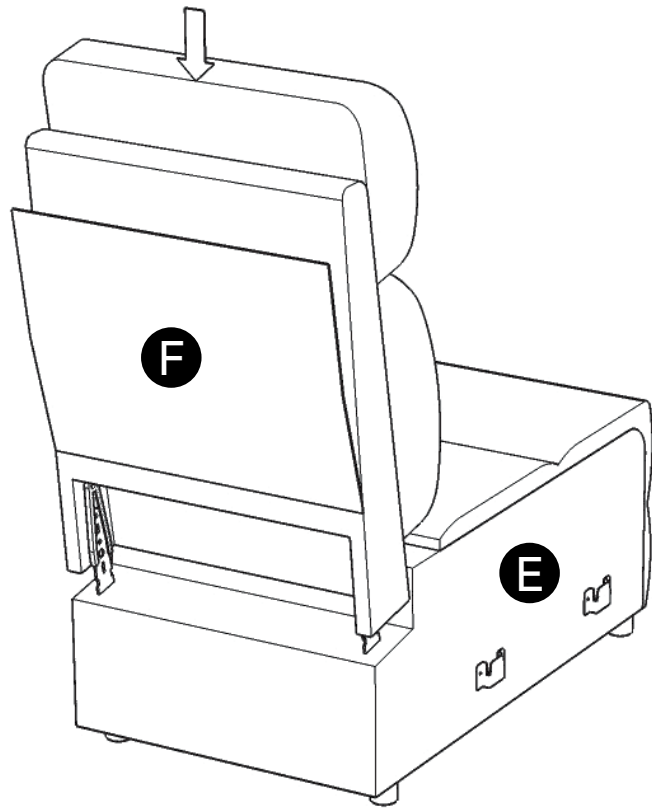
STEP 6

Attach back flap of Back (D) to back of Seat (C).



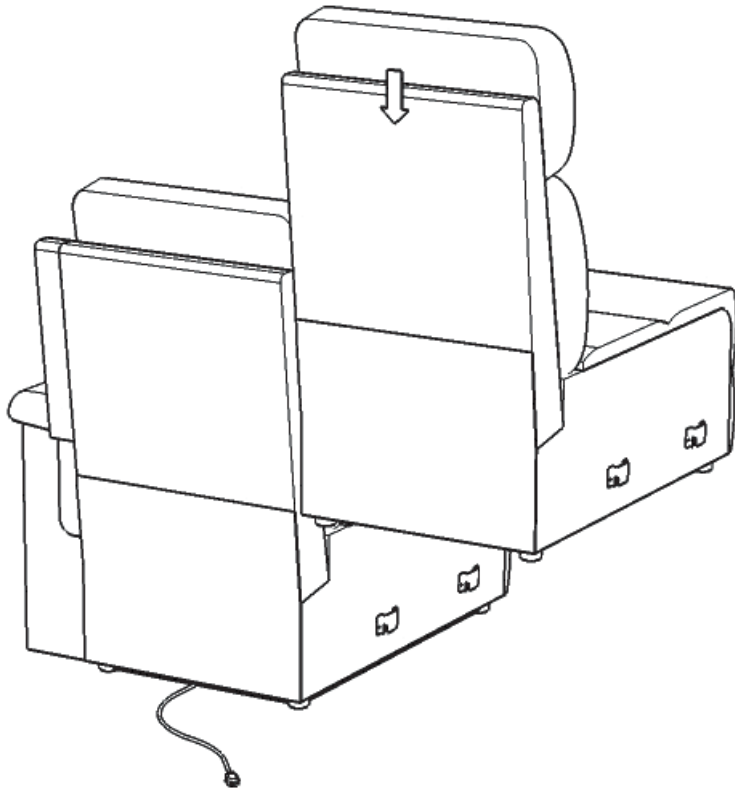
STEP 7

Attach Back (F) to Seat (E).



STEP 8

Attach back flap of Back (F)
to back of Seat (E).



STEP 9

Attach center seat to right seat.
(See Figure 4)

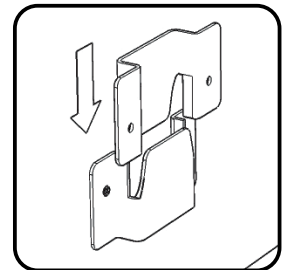
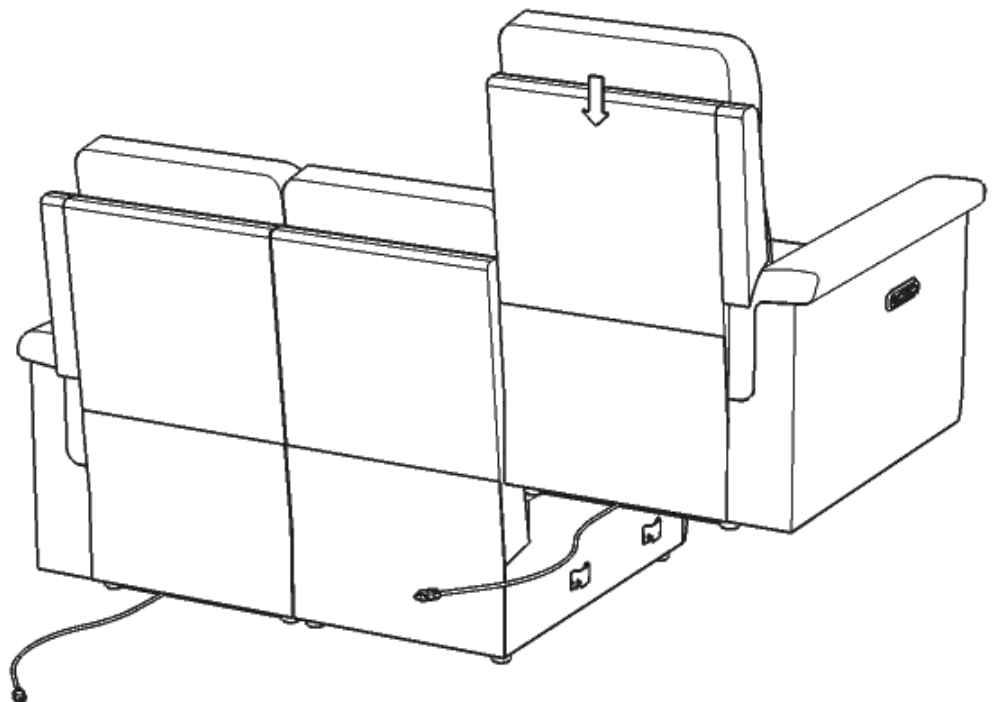


Figure 4

STEP 10

Attach left seat to unit.



Assembly Instructions 6/6

STEP 11

Attach Plug B to plugs of unit, then flip the locks.
(See Figures 5 and 6)

Attach Plug A to Plug B, then flip the lock.

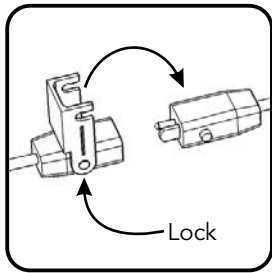


Figure 5

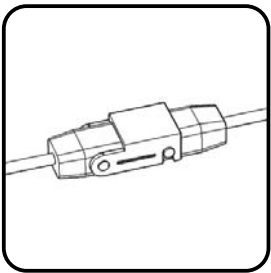
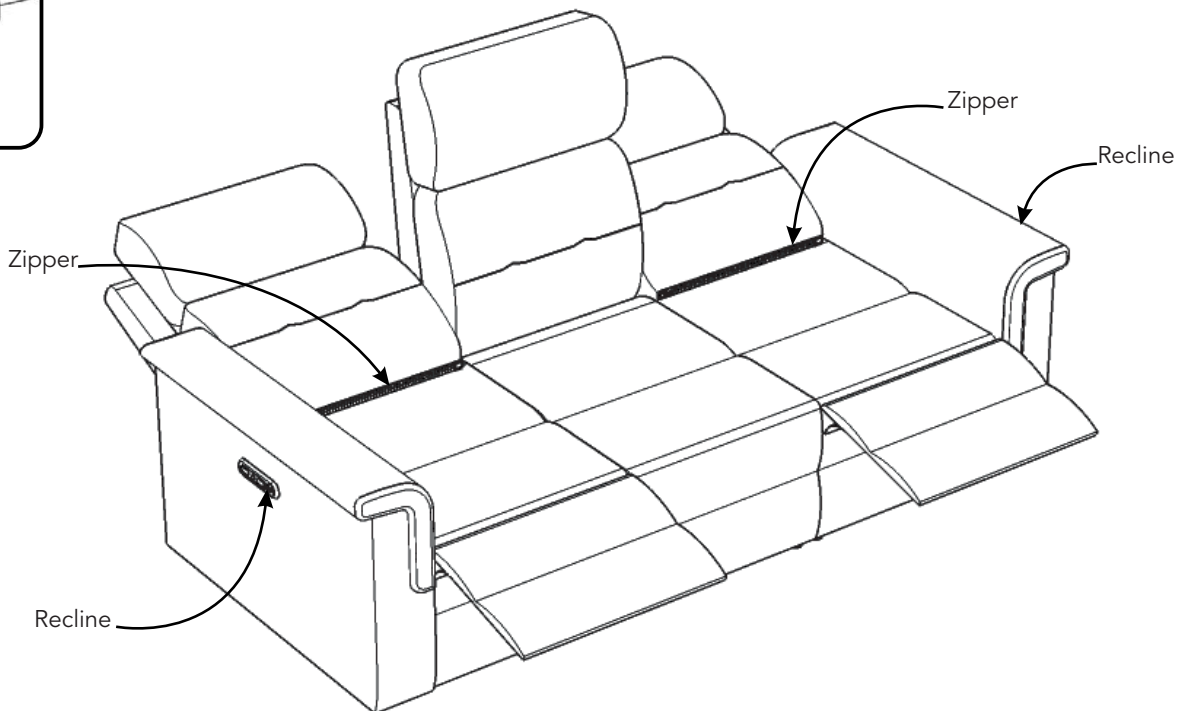
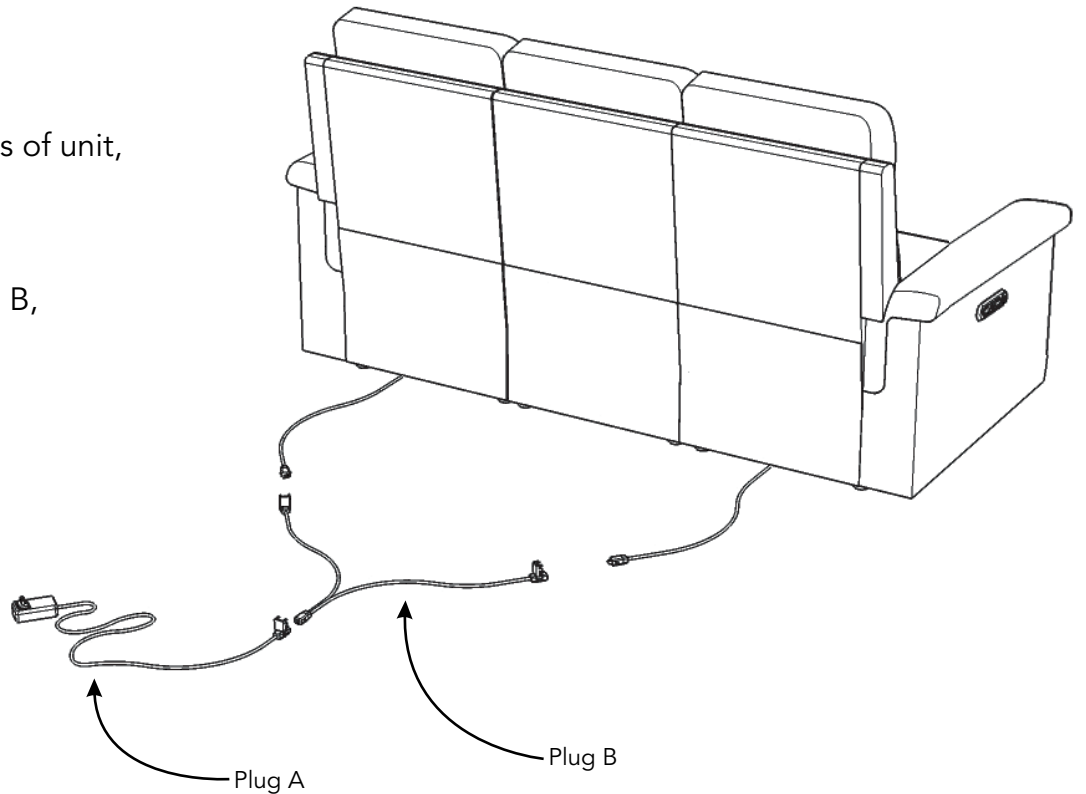


Figure 6



STEP 12

Insert Plug A into electrical outlet.

Recline left and right seats by pressing Recline buttons on left and right seats.
(See Figure 7)

Zip up left and right seats.
(See Figure 8)

Head Rest Home Recline

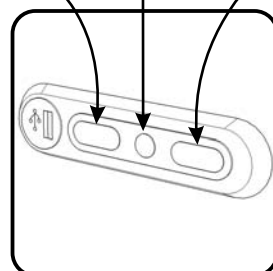


Figure 7

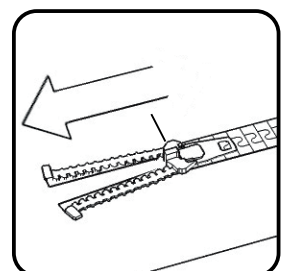


Figure 8

CARE INSTRUCTIONS

NEVER

allow liquids to remain on furniture.
Absorption causes parts to warp
and split and finishes to delaminate.

NEVER

use glass cleaners on
finished furniture. Ammonia
chemically attacks the finish.



Do not use power tools
above 8 volts to assemble.

**PREVENT
CRACKING**



Do not place
in direct sunlight.

**PREVENT
FADING**



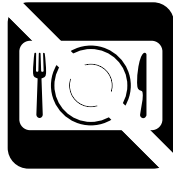
Do not write
directly on surface.

**PREVENT
MARKING**



Do not place hot
objects on surface.

**PREVENT
FINISH DAMAGE**



Do not use rubber
based placemats.

**PREVENT
DISCOLORING**



Do not use commercial
waxes and polishes.

**PREVENT
YELLOWING**

CLEAN

with a soft cloth moistened
in lukewarm soap and water.
Buff with a dry clean cloth.



Home Styles will provide replacements free of charge for missing or damaged hardware or parts within 30 days of purchase. Digital images of the defective parts may be required. If the product was not purchased from an authorized retail affiliate, Home Styles is under no obligation to provide replacement parts. Parts are not available for fully assembled items nor are parts available for sale. Replacements for missing or damaged hardware or parts may be requested at:

www.homestyles-furniture.com/customer-service/replacement-parts

Home Styles Customer Service: www.homestyles-furniture.com,
servicedesk@homestyles-furniture.com, 888-680-7460, 877-831-0319