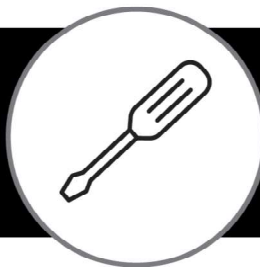


# Assembly Guide



**Bush**  
FURNITURE

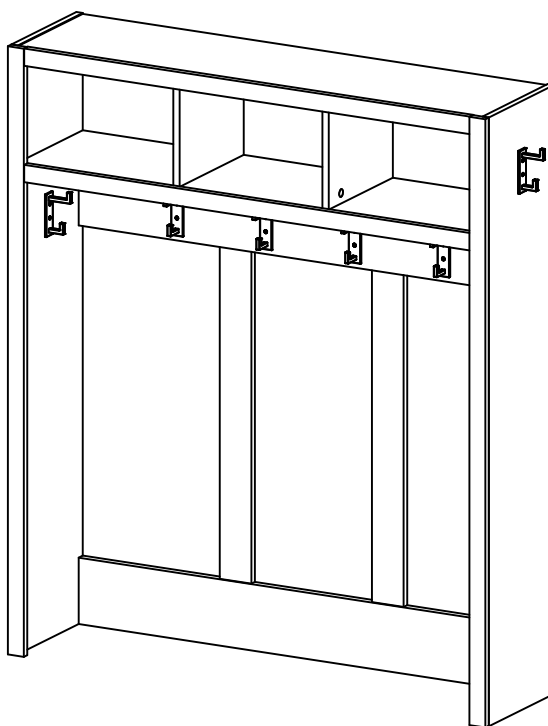


If you're having any difficulty during assembly of this product, don't hesitate to call us at **1-800-950-4782.**

Our customer service experts are trained to provide step-by-step instruction and can easily replace any missing or damaged parts.

**Representatives are available Monday-Friday from 8:30 a.m. to 7:30 p.m. (ET)**

## 48W Hall Tree



Lot Code #

Instruction Sheet Number A215800B

Keep manual for future reference.

# IMPORTANT SAFETY INFORMATION



## PLEASE READ WARNINGS

Improper use can cause safety hazards, or damage to your furniture and household items.

Warning	Do	Don't	Why it's important
<b>Serious injury or death may occur.</b>	<ul style="list-style-type: none"><li>• Assemble following all instructions using all indicated parts and hardware provided.</li><li>• Install tip-over restraint provided.</li><li>• Install every indicated nail and/or screw.</li><li>• Verify Furniture is stable on it's own.</li><li>• Remove all items from shelves before moving or lifiting.</li><li>• Only place hall tree against a permanent wall at least as tall as this product or place back to back with another hall tree of the same height.</li></ul>	<ul style="list-style-type: none"><li>• Do not move unit when loaded.</li><li>• Do not load with a television or other heavy equipment.</li><li>• Do not exceed the maximum load limits stated in the instructions.</li><li>• Do not allow children to stand, climb, or hand on furniture.</li></ul>	Improper assembly, use or loading can lead to product instability, tipover, or collapse.

# IMPORTANT SAFETY INFORMATION



## PLEASE READ WARNINGS

Improper use can cause safety hazards, or damage to your furniture and household items.

Advertencia	Hacer	No	Por qué es importante
<p><b>Pueden producirse lesiones graves o la muerte.</b></p>	<ul style="list-style-type: none"><li>• Realice el montaje siguiendo todas las instrucciones y utilizando todas las piezas indicadas y los herrajes suministrados.</li><li>• Instale el sistema de retención antivuelco suministrado.</li><li>• Instale todos los clavos y/o tornillos indicados.</li><li>• Compruebe que el mueble sea estable por sí mismo.</li><li>• Retire todos los artículos de los estantes antes de desplazar o levantar el producto.</li><li>• Coloque el árbol de pasillo sólo contra una pared permanente que sea al menos tan alta como este producto o colóquelo espalda con espalda con otro árbol de pasillo de la misma altura.</li></ul>	<ul style="list-style-type: none"><li>• No mueva la unidad cuando esté cargada.</li><li>• No cargue el mueble con un televisor u otro equipo pesado.</li><li>• No supere los límites máximos de carga indicados en las instrucciones.</li><li>• No permita que los niños se pongan de pie, trepen o se cuelguen de los muebles.</li></ul>	<p>El montaje, uso o carga inadecuados pueden provocar inestabilidad, vuelco o colapso del producto.</p>

# IMPORTANT SAFETY INFORMATION



## PLEASE READ WARNINGS

Improper use can cause safety hazards, or damage to your furniture and household items.

Avertissement	À faire	À ne pas faire	Pourquoi c'est important
<b>Peut entraîner des blessures graves ou la mort.</b>	<ul style="list-style-type: none"><li>• Assembler en suivant toutes les instructions et en utilisant toutes les pièces et la quincaillerie incluses.</li><li>• Installer le matériel de fixation mural inclus.</li><li>• Installer tous les clous et/ou toutes les vis.</li><li>• Assurez-vous que le meuble soit stable par lui-même.</li><li>• Retirez tous les articles des tablettes avant de déplacer ou de soulever.</li><li>• Placer le portemanteau contre un mur permanent au moins aussi haut que ce produit ou le placer dos à dos avec un autre portemanteau de la même hauteur.</li></ul>	<ul style="list-style-type: none"><li>• Ne pas déplacer le meuble lorsqu'il est chargé.</li><li>• Ne pas charger le meuble avec un téléviseur ou tout autre équipement lourd.</li><li>• Ne pas dépasser les limites de poids maximales indiquées dans les instructions.</li><li>• Ne pas laisser les enfants se tenir sur les meubles, y grimper ou s'y suspendre.</li></ul>	Un assemblage, une utilisation ou un chargement incorrects peuvent entraîner l'instabilité, le basculement ou l'effondrement du produit.

## For best results, keep these tips in mind:

- ① We know you want to finish this assembly as quickly as possible, but trust us: you'll have a better experience if you take it one step at a time.
- ② Give yourself some room to work near where you want the fully assembled product.
- ③ If your floor isn't carpeted, assemble this product on the empty carton to avoid scratching.
- ④ Do you have a friend who owes you a favor? Some steps may go a little easier with a second set of hands.

## DOs

- ✔ Use a #2 Phillips head screwdriver (or other handheld tools as indicated)
- ✔ Wear safety glasses at all times during assembly
- ✔ Carefully follow the instructions in this guide and complete all steps in order
- ✔ Give us a call if you're having trouble with a particularly tricky step

## DON'Ts

- ✘ We know power tools are quick and easy, but you shouldn't use them when assembling this product (unless otherwise specified)
- ✘ Never move your furniture with items inside or resting on the surface
- ✘ Do not attempt to use this product before all steps have been completed

## Watch assembly videos right on your phone or computer!



Some steps include QR codes that link to helpful videos. Watch out for the icon below! Simply open up your smartphone camera to scan the code.

*(Users of older smartphones may need to install a QR Reader.)*

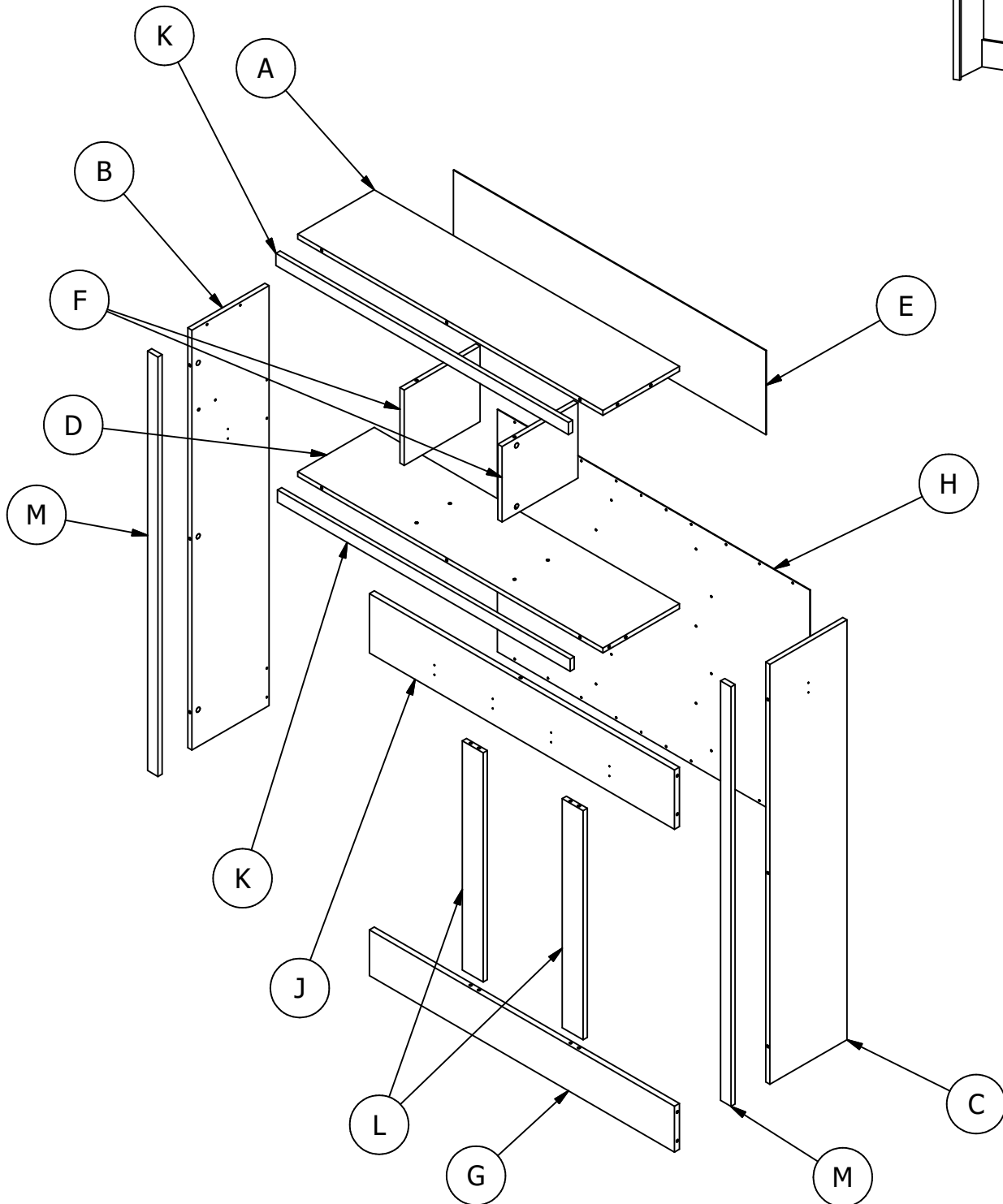
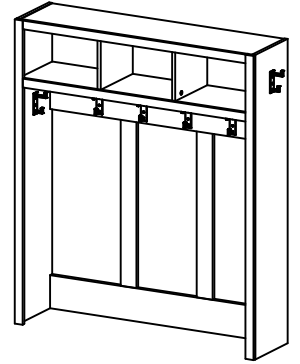
**SCAN HERE**



**FOR VIDEOS**

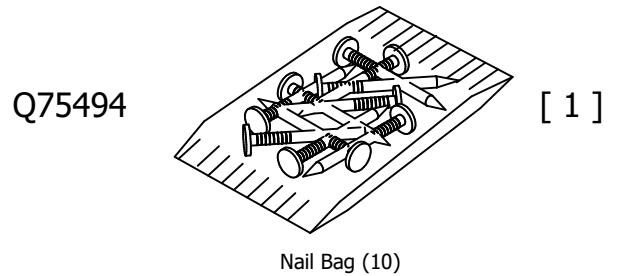
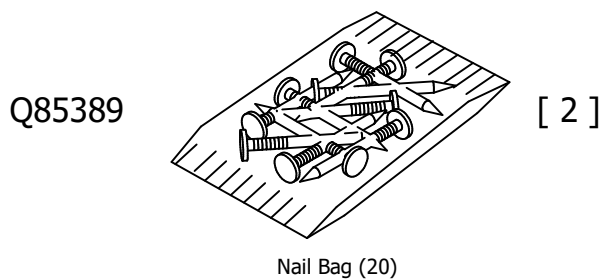
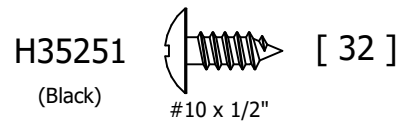
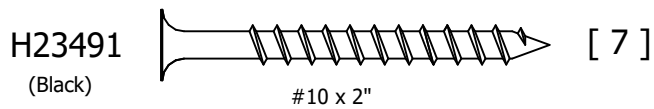
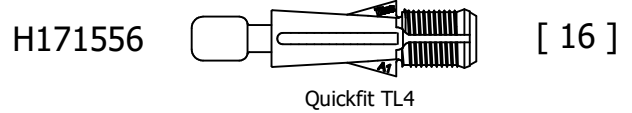
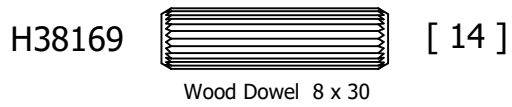
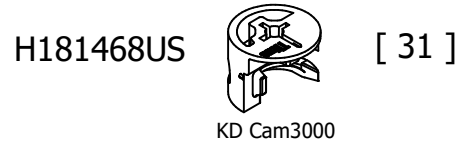
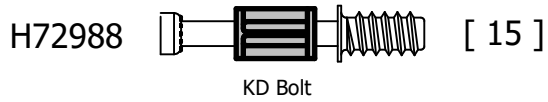
Or visit <https://bushfurniture.com/help-faq/#assembling>





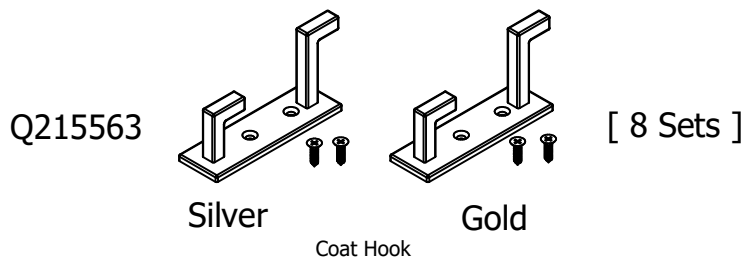
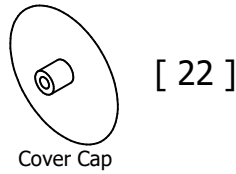
Have an assembly question or need a replacement part? Just call  
**1-800-950-4782**, we are here to help.

Fasteners are shown actual size.



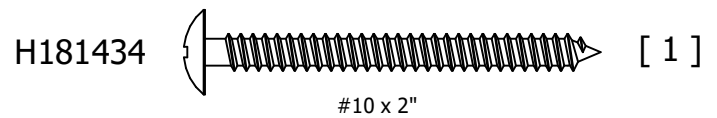
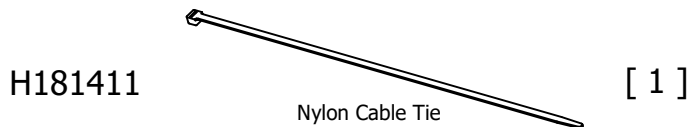
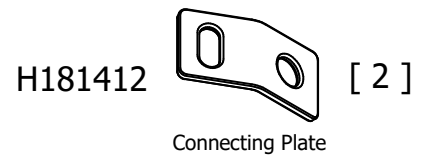
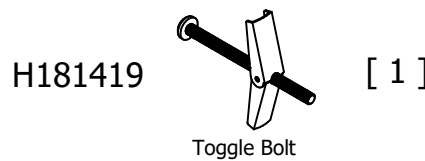
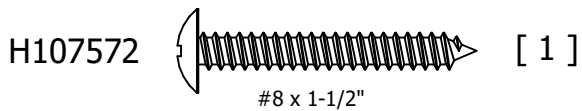
Have an assembly question or need a replacement part? Just call  
**1-800-950-4782**, we are here to help.

Hardware not to scale.



**TIPOVER RESTRAINT HARDWARE**

SUGERENCIA SOBRE HARDWARE DE RETENCIÓN  
MATÉRIEL DE RETENUE SUR LE SUPPORT



Have an assembly question or need a replacement part? Just call  
**1-800-950-4782**, we are here to help.

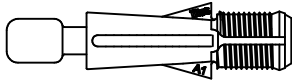


# STEP 1

## Prepare Panels

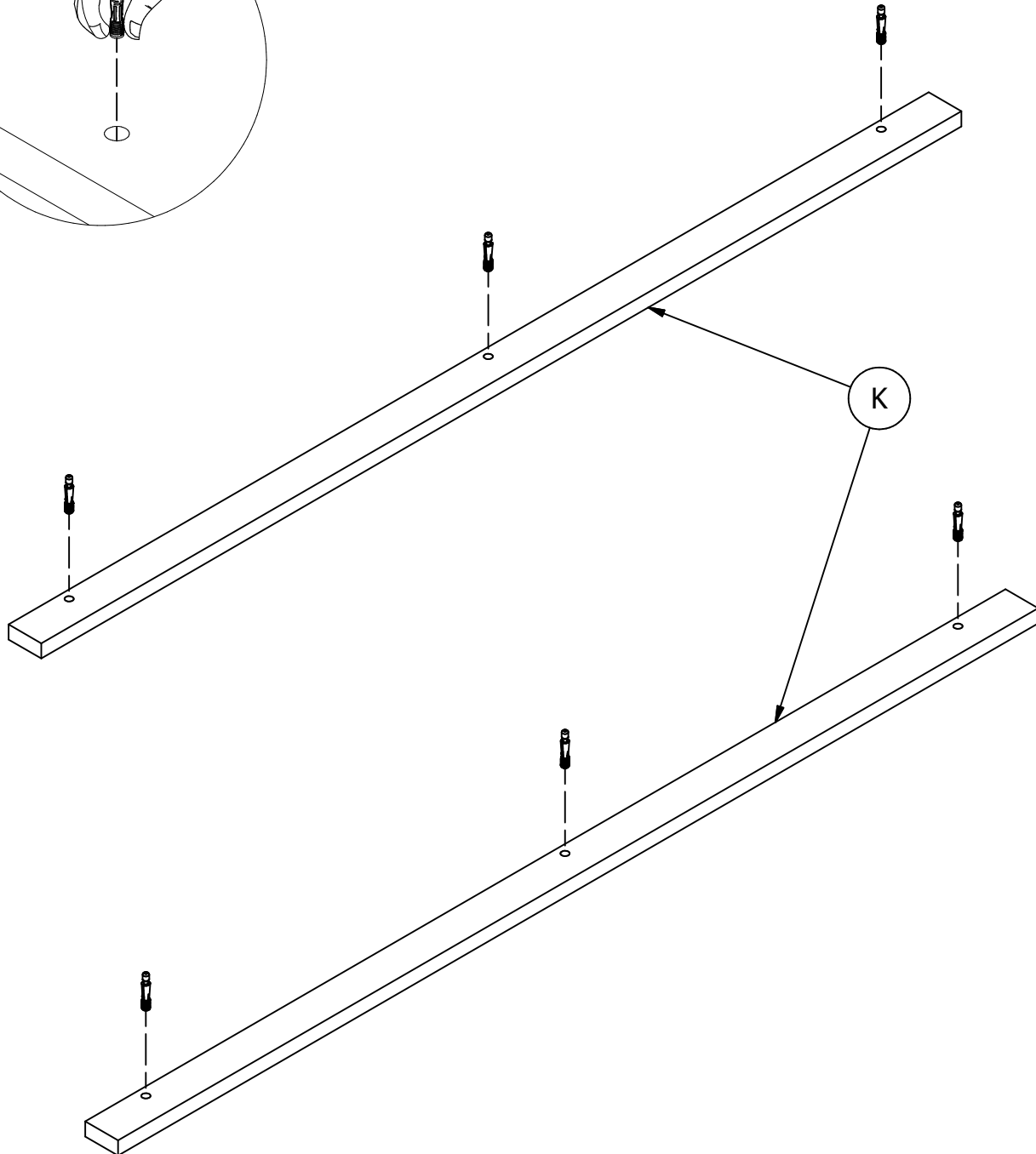
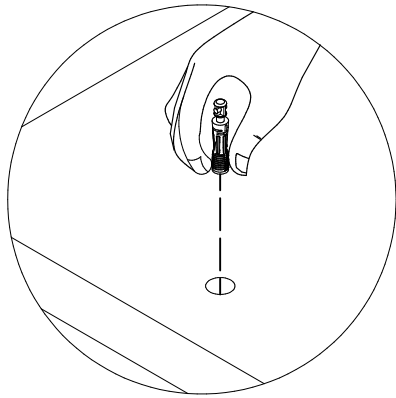
A215800B

H171556



Quickfit TL4

[ 6 ]



Have an assembly question or need a replacement part? Just call  
**1-800-950-4782**, we are here to help.

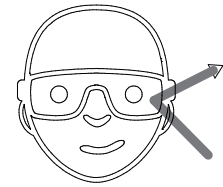
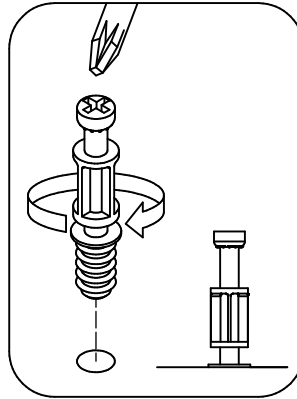
# STEP 2

## Prepare Panels

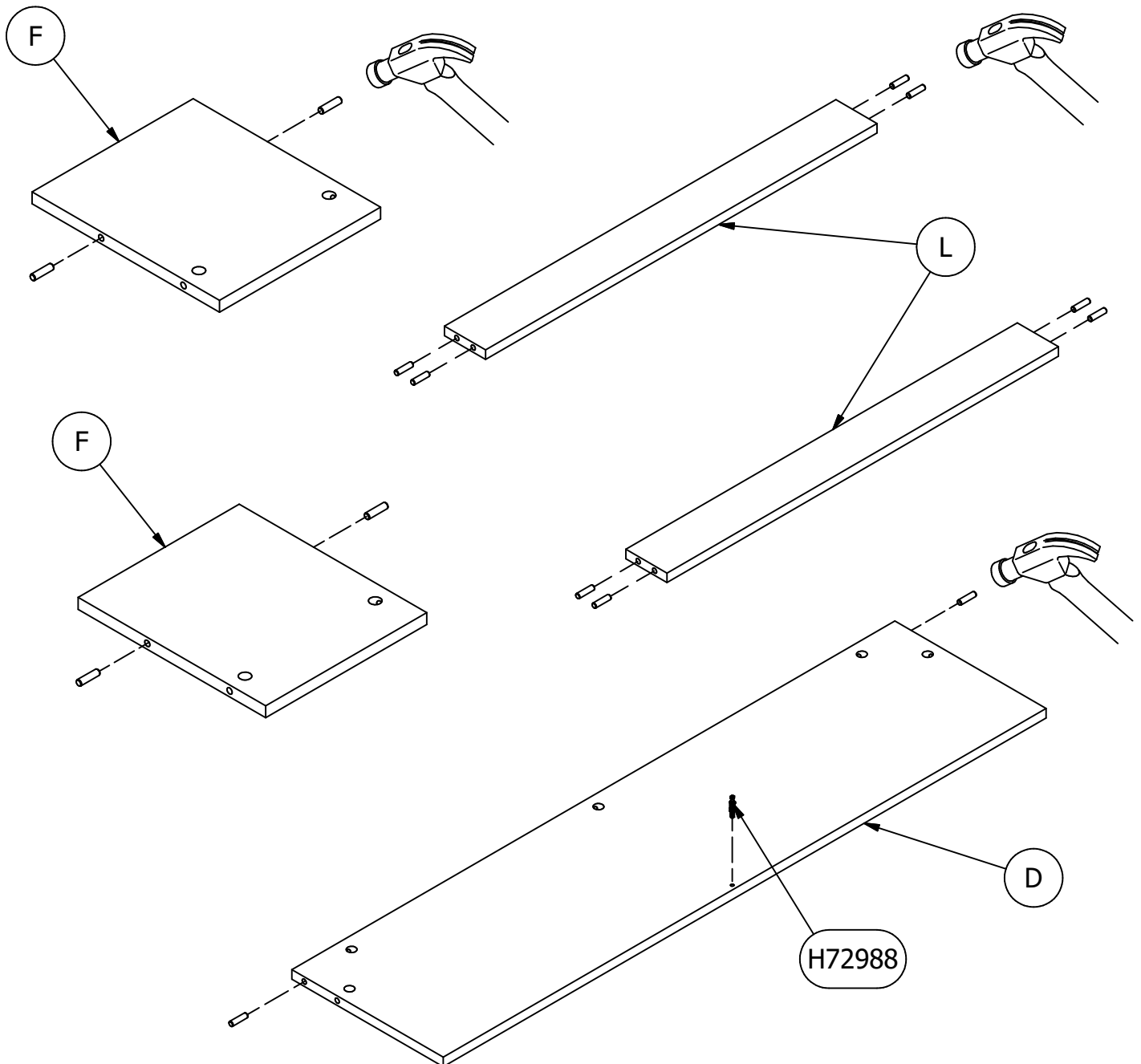
A215800B

H72988 [ 1 ]  
KD Bolt

H38169 [ 14 ]  
Wood Dowel 8 x 30



Safety glasses  
Gafas de seguridad  
Lunettes de protection



Have an assembly question or need a replacement part? Just call  
**1-800-950-4782**, we are here to help.

Scan QR Code to Watch Video on:

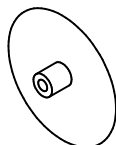


How to Tighten KD Cams

H181468US

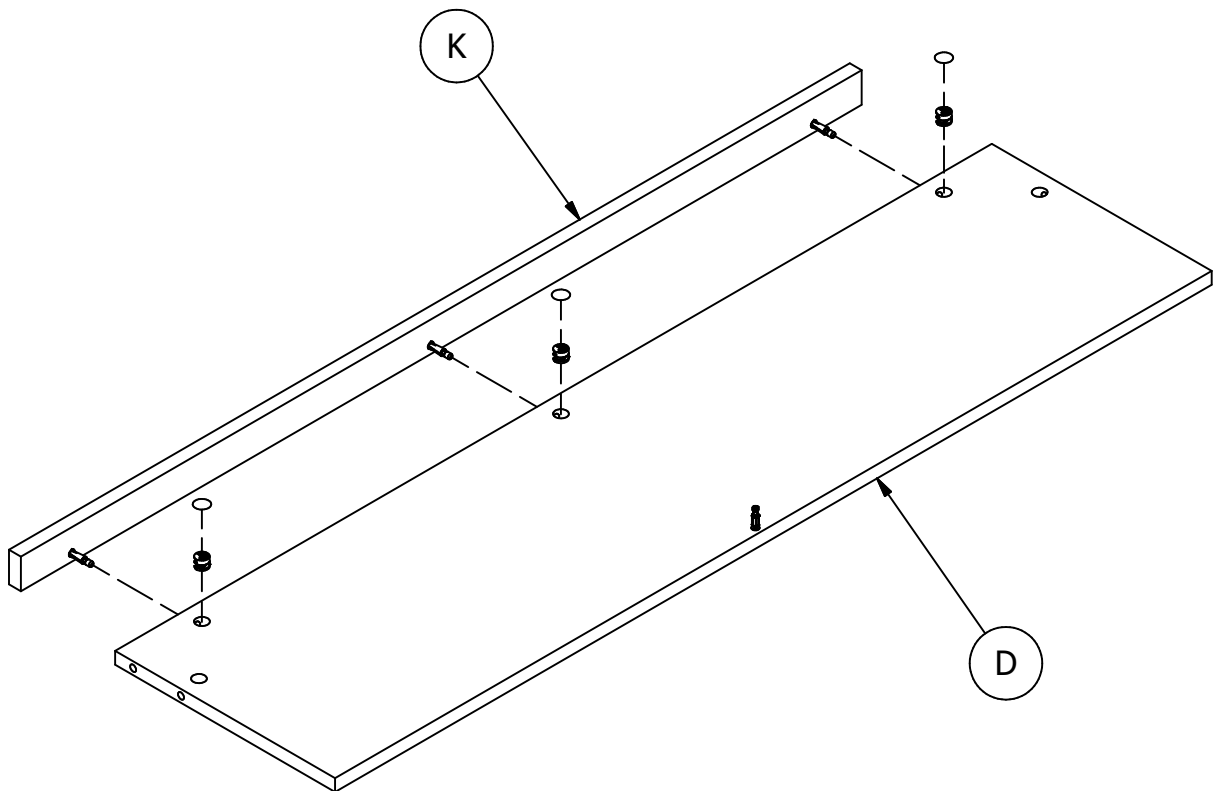
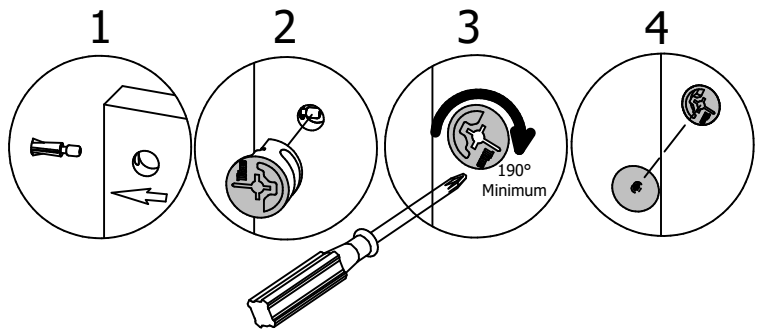


[ 3 ]

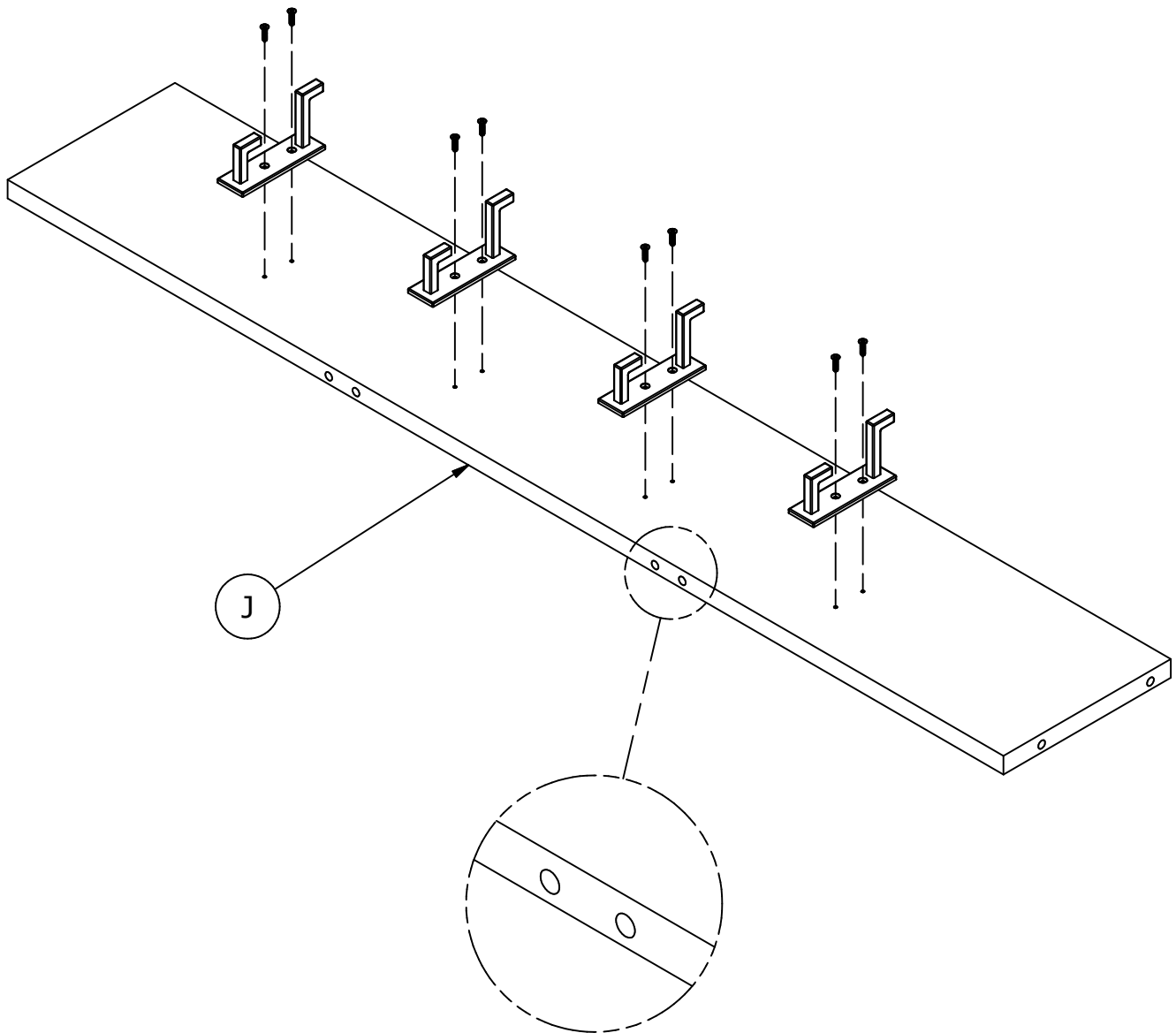
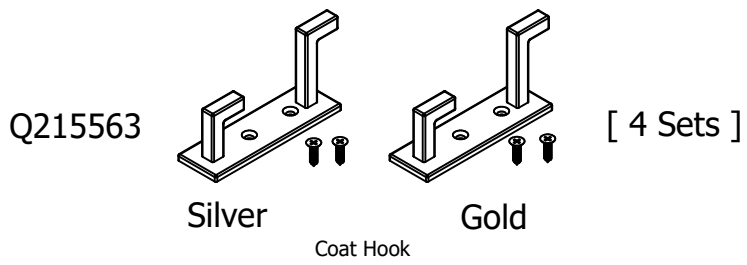


[ 3 ]

Cover Cap



Have an assembly question or need a replacement part? Just call **1-800-950-4782**, we are here to help.



Have an assembly question or need a replacement part? Just call  
**1-800-950-4782**, we are here to help.

Scan QR Code to Watch Video on:

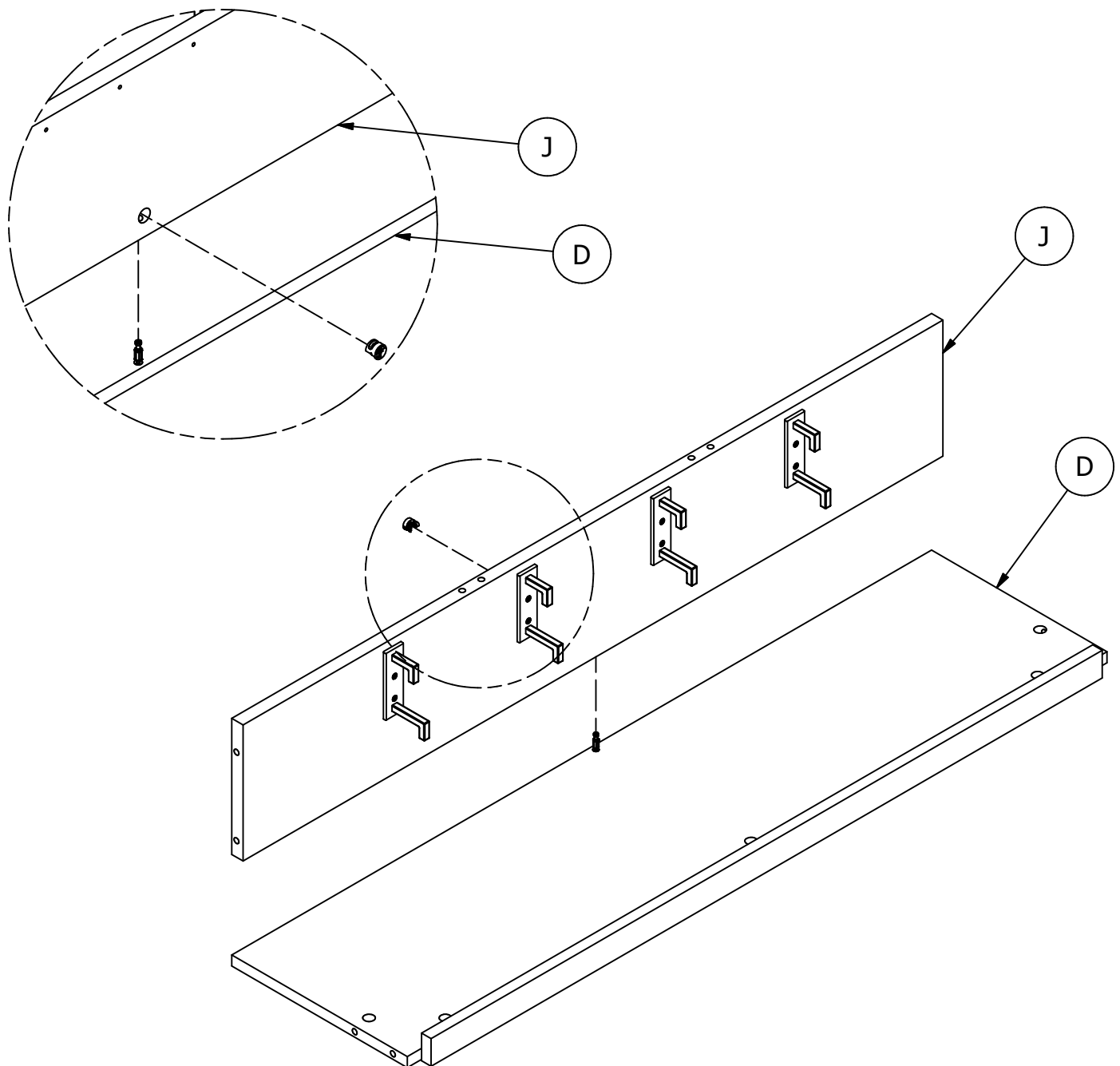
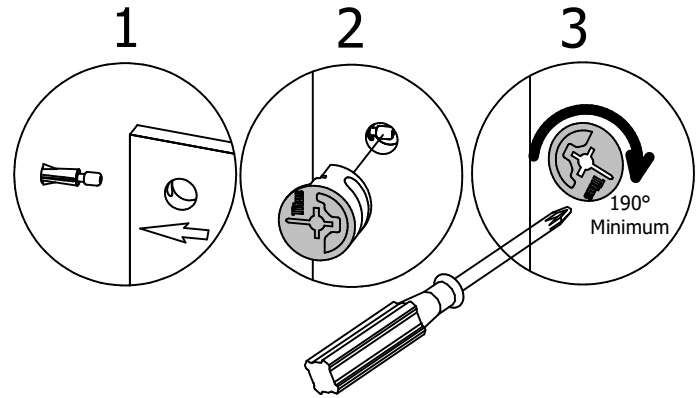


How to Tighten KD Cams

H181468US



[ 1 ]



Have an assembly question or need a replacement part? Just call **1-800-950-4782**, we are here to help.

# STEP 6

## Prepare - Assemble Panels

A215800B

Scan QR Code to Watch Video on:



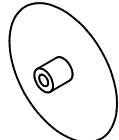
How to Tighten KD Cams

H181468US



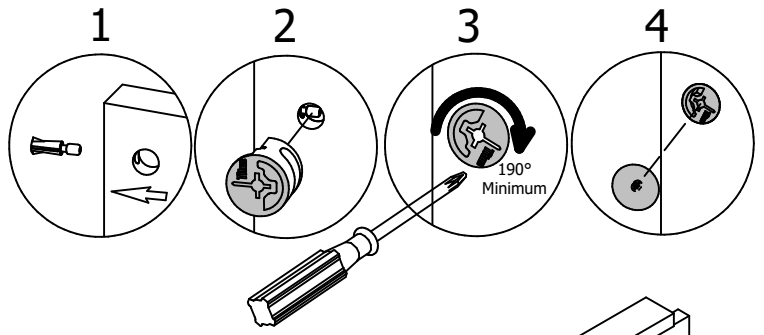
[ 2 ]

KD Cam3000

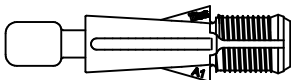


[ 2 ]

Cover Cap



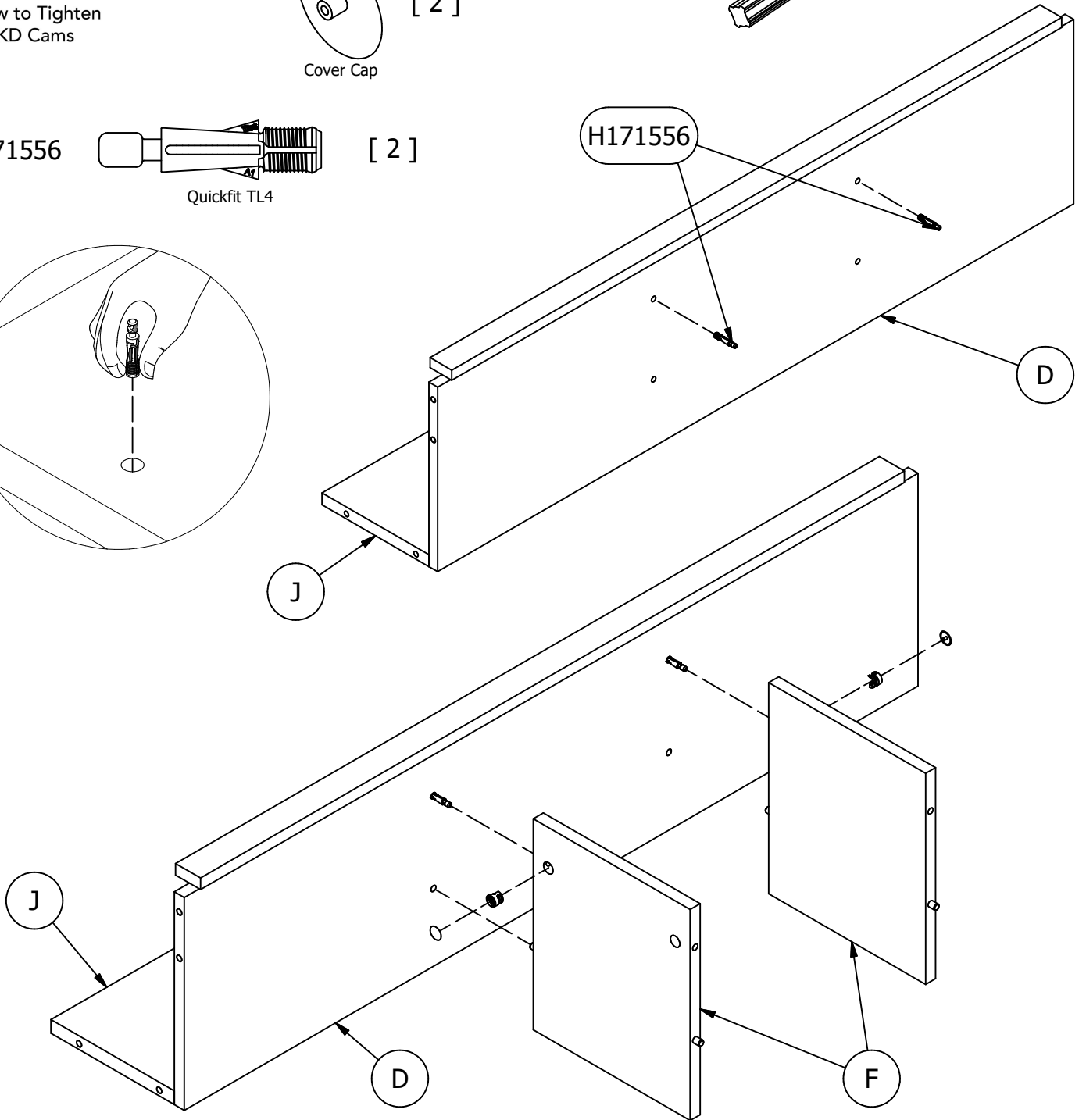
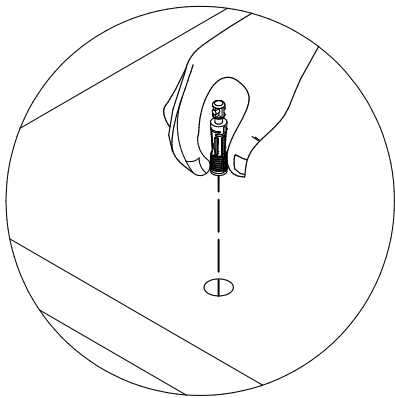
H171556



[ 2 ]

Quickfit TL4

H171556



Have an assembly question or need a replacement part? Just call **1-800-950-4782**, we are here to help.

# STEP 7

## Prepare Panel

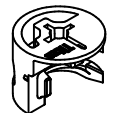
A215800B

Scan QR Code to Watch Video on:



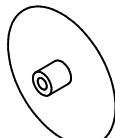
How to Tighten KD Cams

H181468US



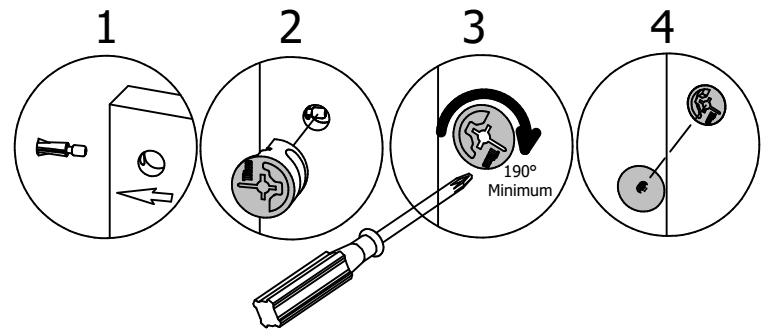
KD Cam3000

[ 3 ]

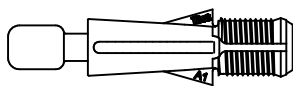


Cover Cap

[ 3 ]

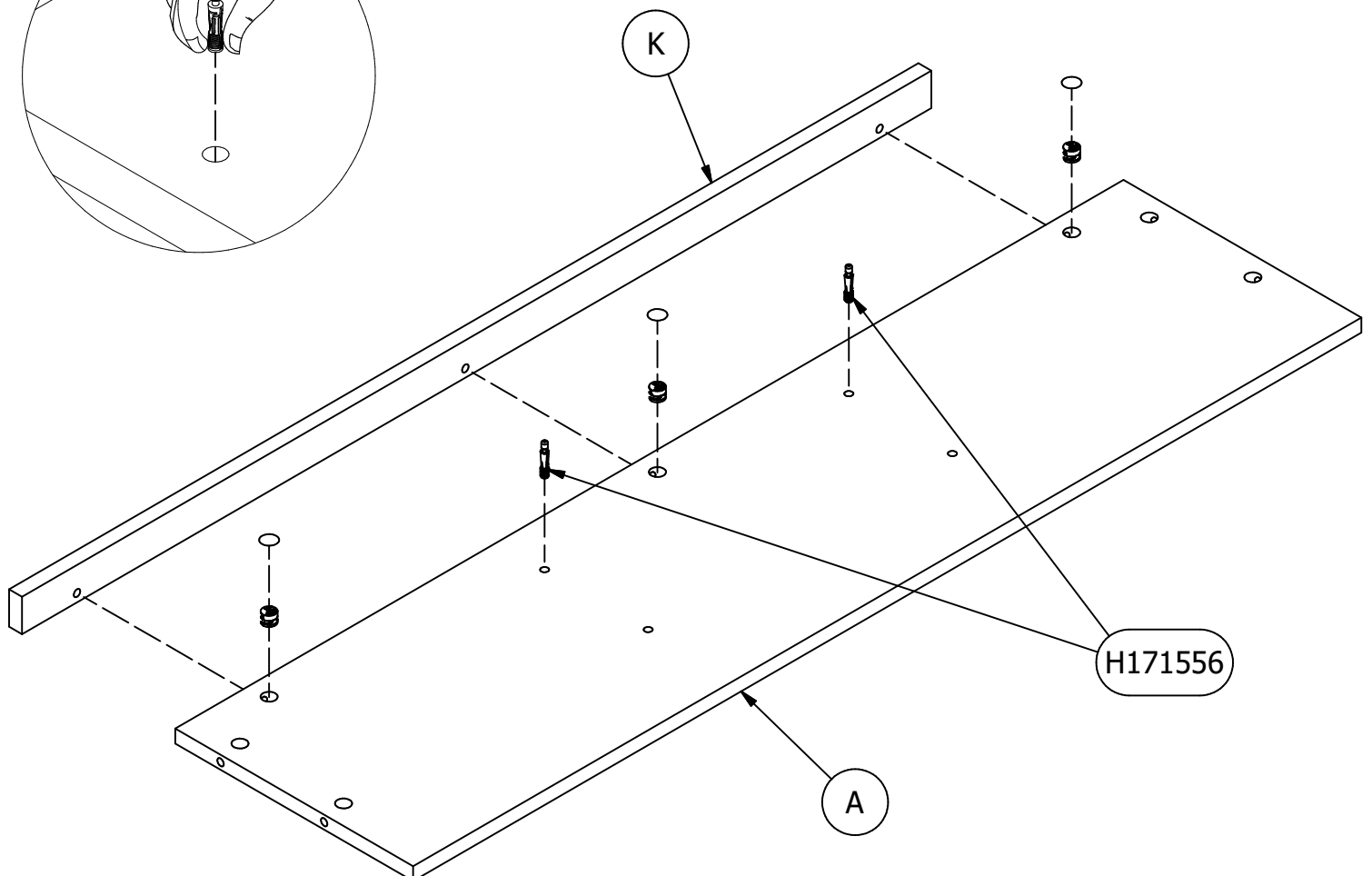
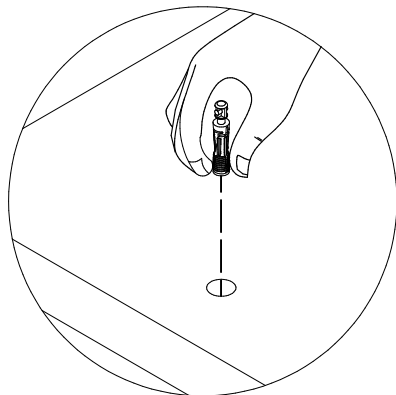


H171556



Quickfit TL4

[ 2 ]

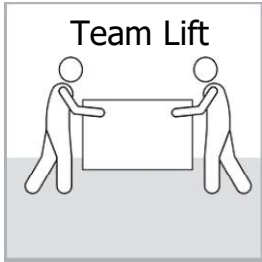


Have an assembly question or need a replacement part? Just call **1-800-950-4782**, we are here to help.

# STEP 8

## Prepare Panel

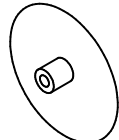
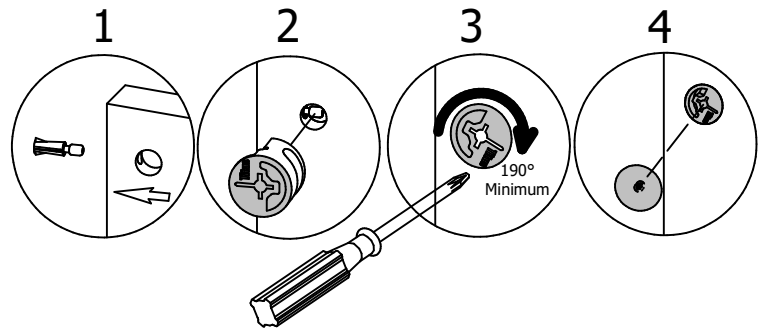
A215800B



H181468US



[ 2 ]



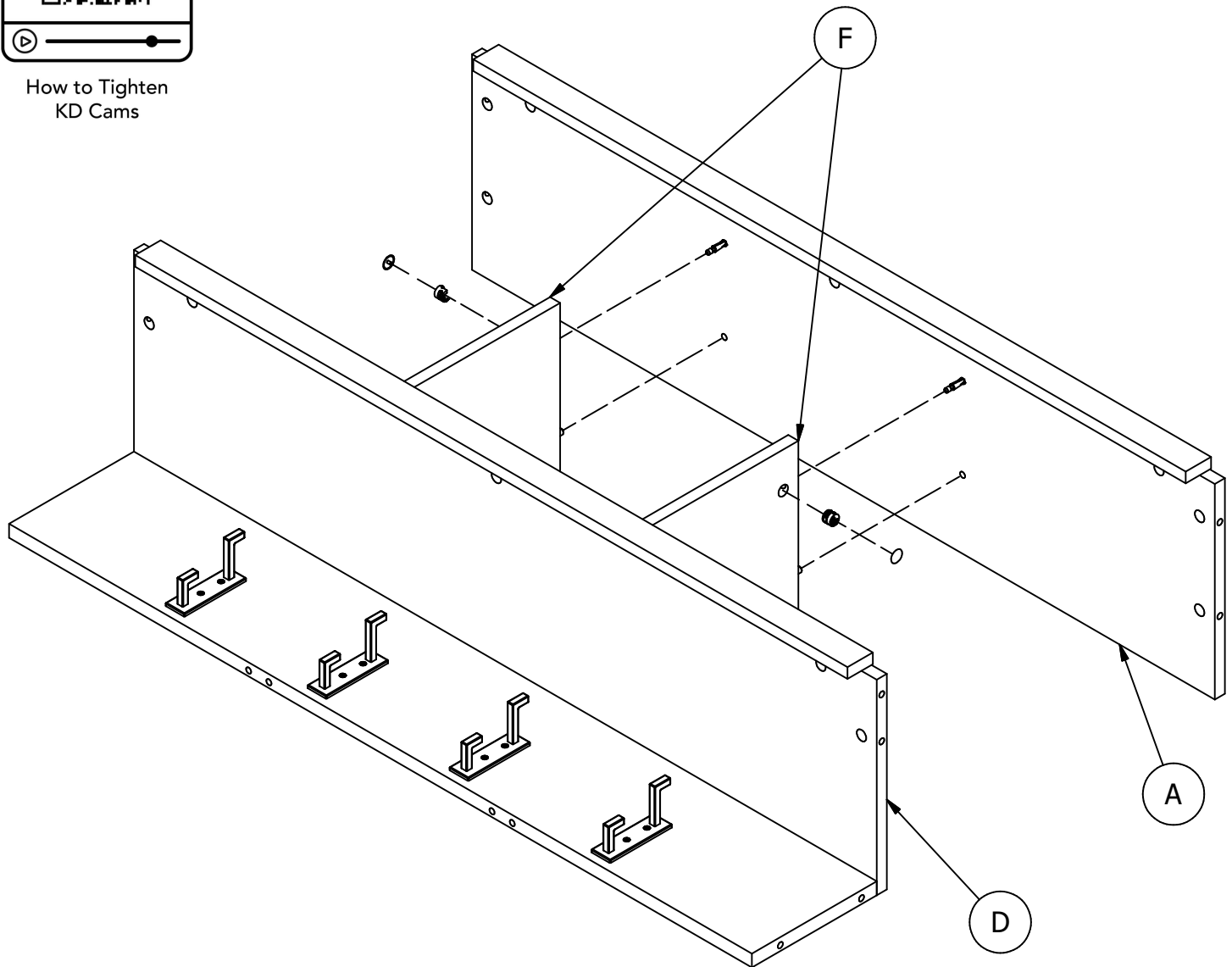
Cover Cap

[ 2 ]

Scan QR Code to Watch Video on:

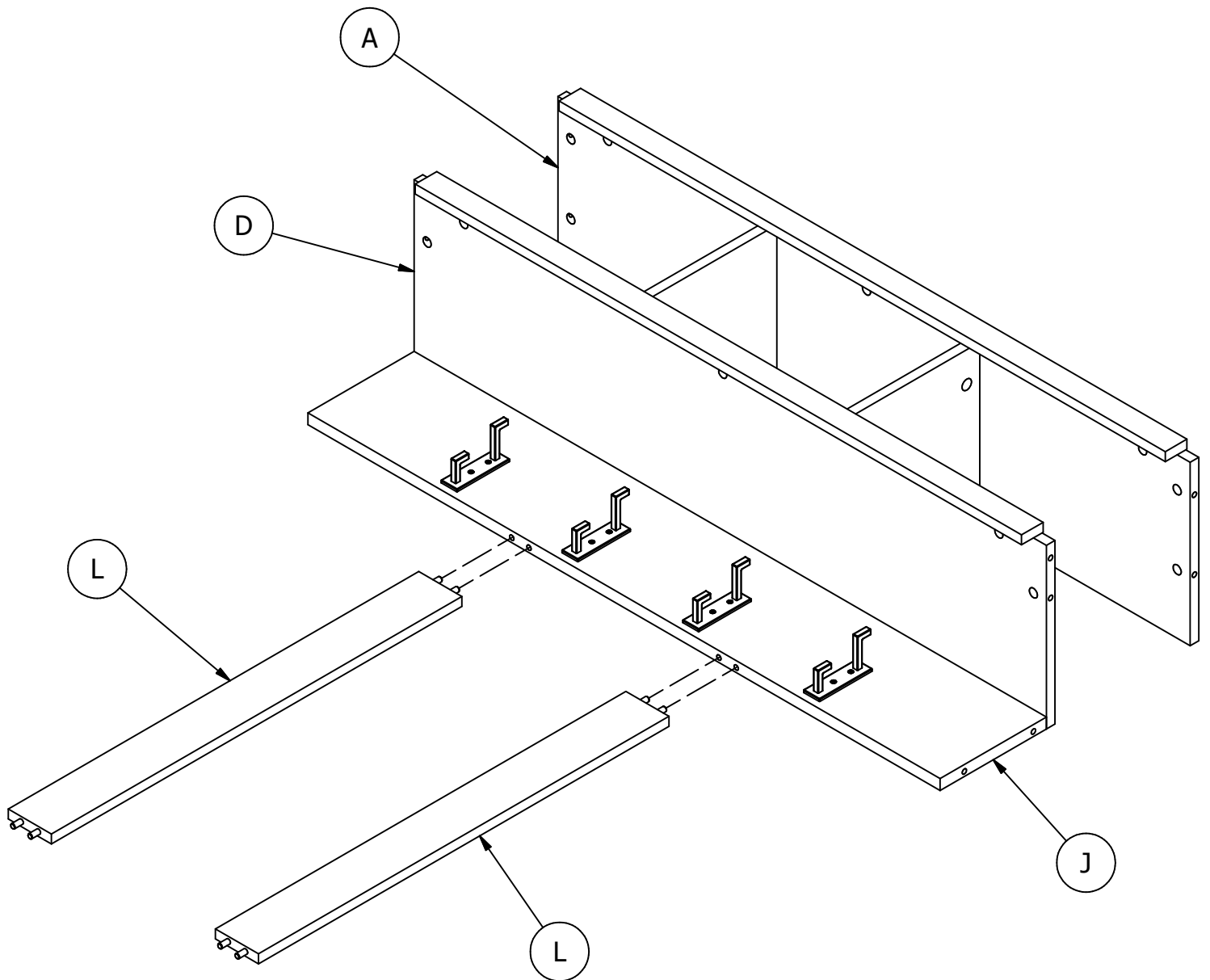
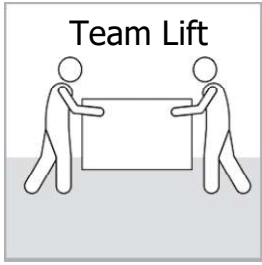


How to Tighten KD Cams

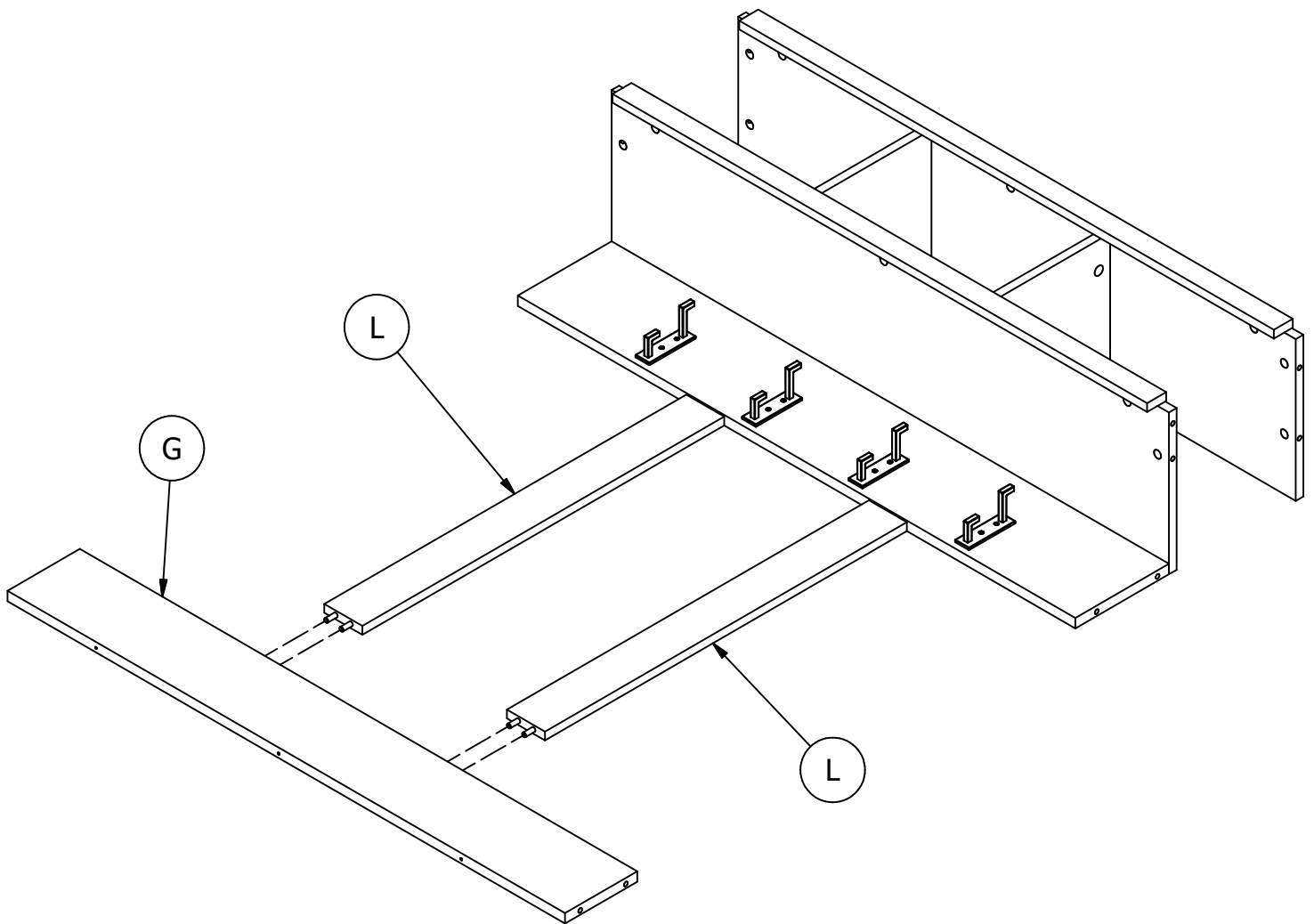
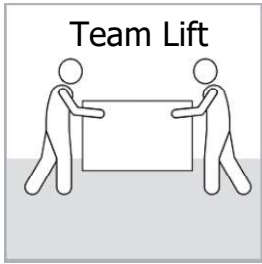


Have an assembly question or need a replacement part? Just call **1-800-950-4782**, we are here to help.



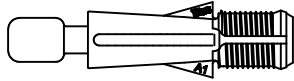


Have an assembly question or need a replacement part? Just call  
**1-800-950-4782**, we are here to help.



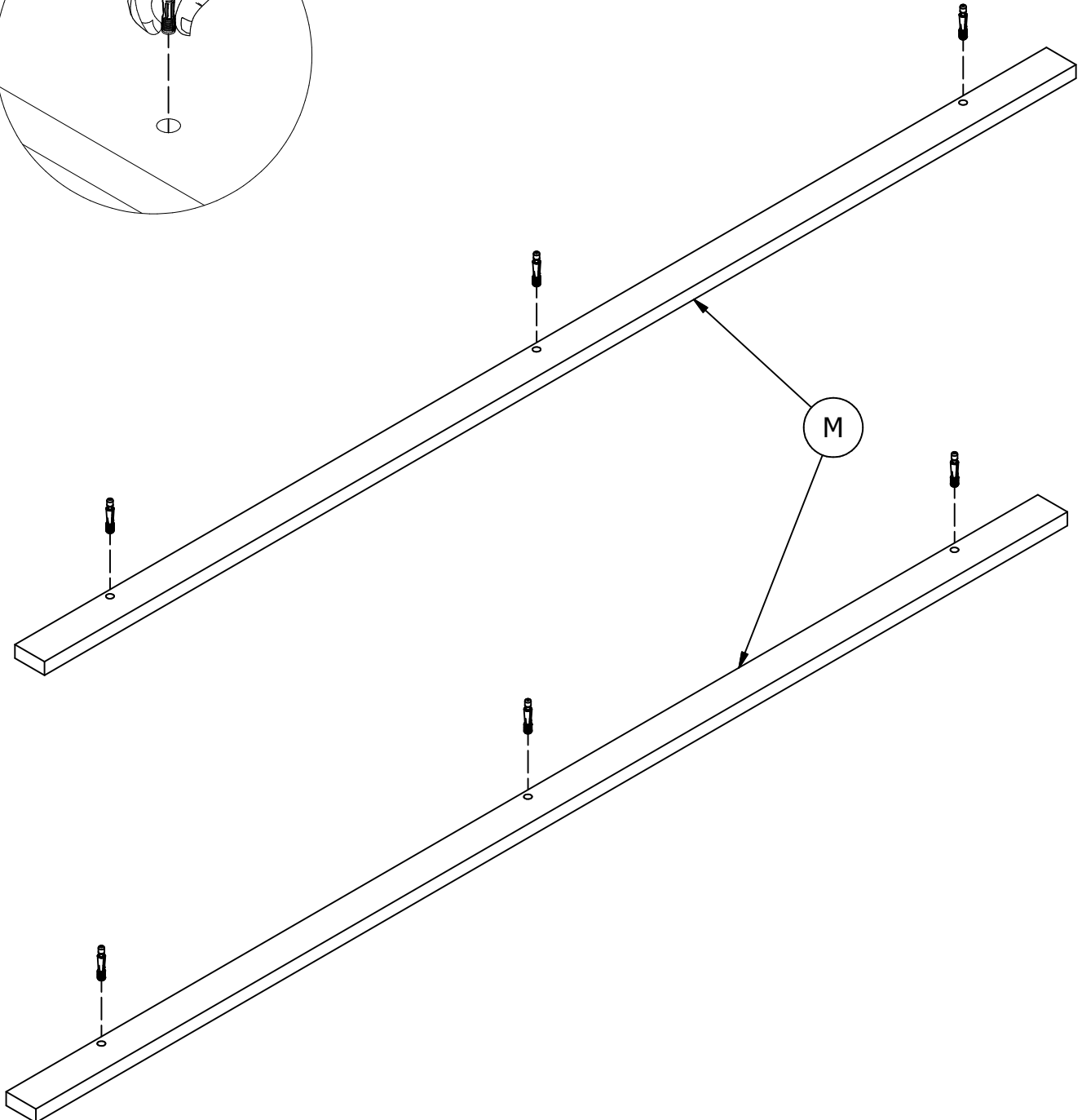
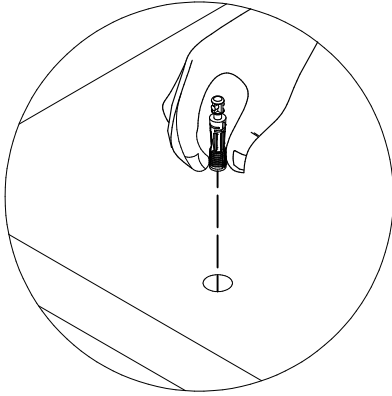
Have an assembly question or need a replacement part? Just call  
**1-800-950-4782**, we are here to help.

H171556



[ 6 ]

Quickfit TL4



Have an assembly question or need a replacement part? Just call **1-800-950-4782**, we are here to help.

# STEP 12

## Prepare - Assemble Panels

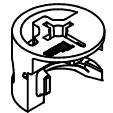
A215800B

Scan QR Code to Watch Video on:



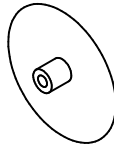
How to Tighten KD Cams

H181468US



KD Cam3000

[ 3 ]



Cover Cap

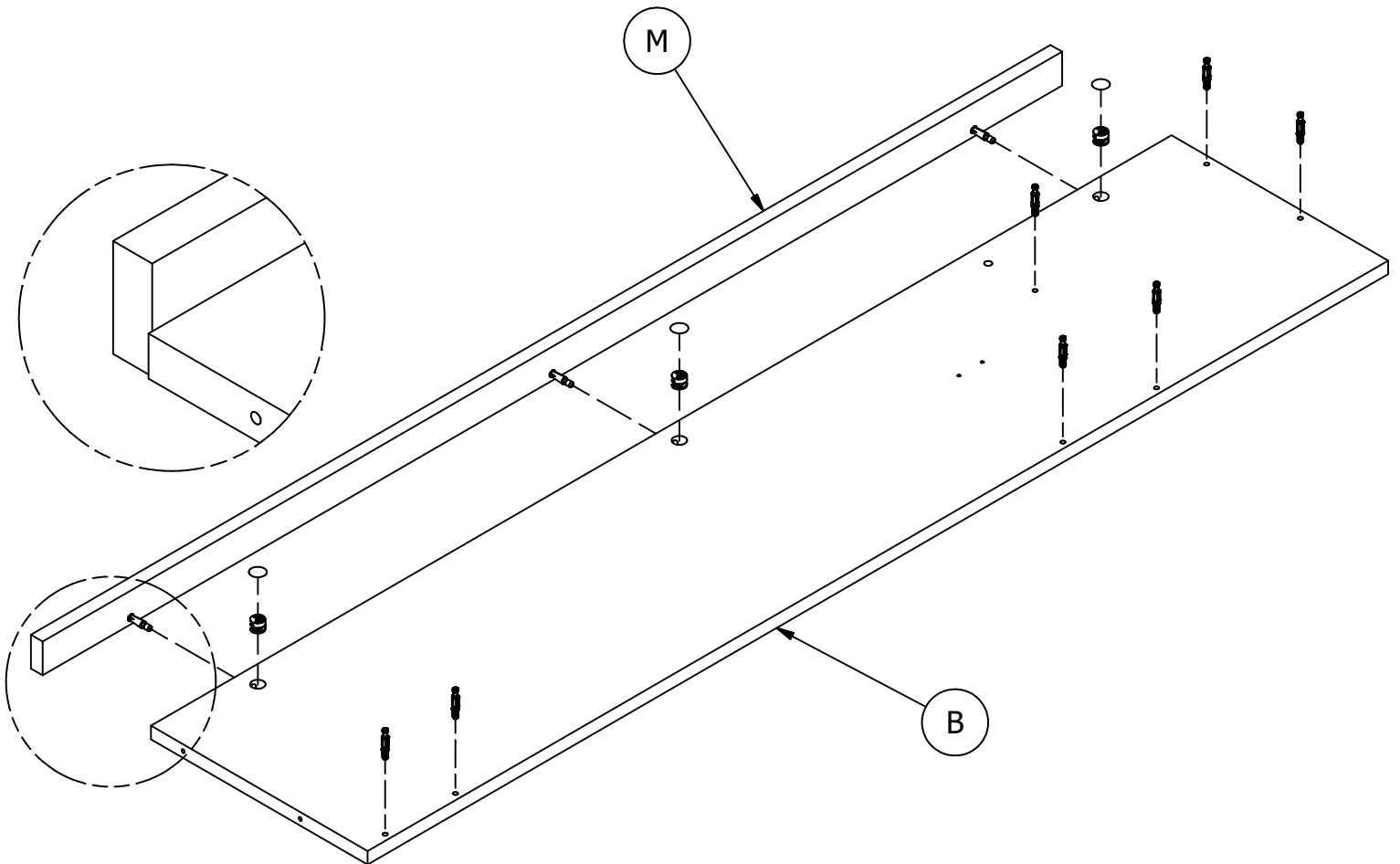
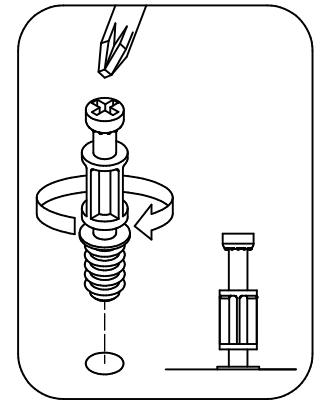
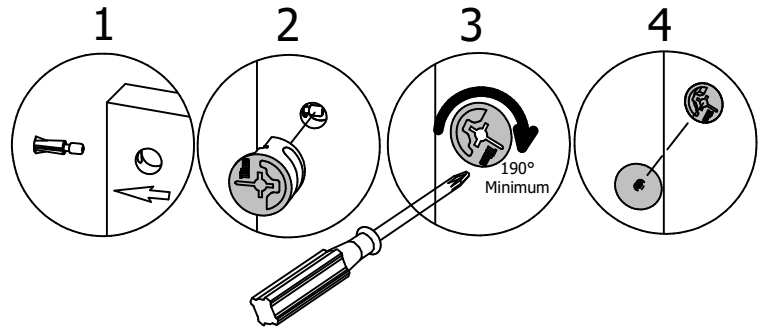
[ 3 ]

H72988



KD Bolt

[ 7 ]

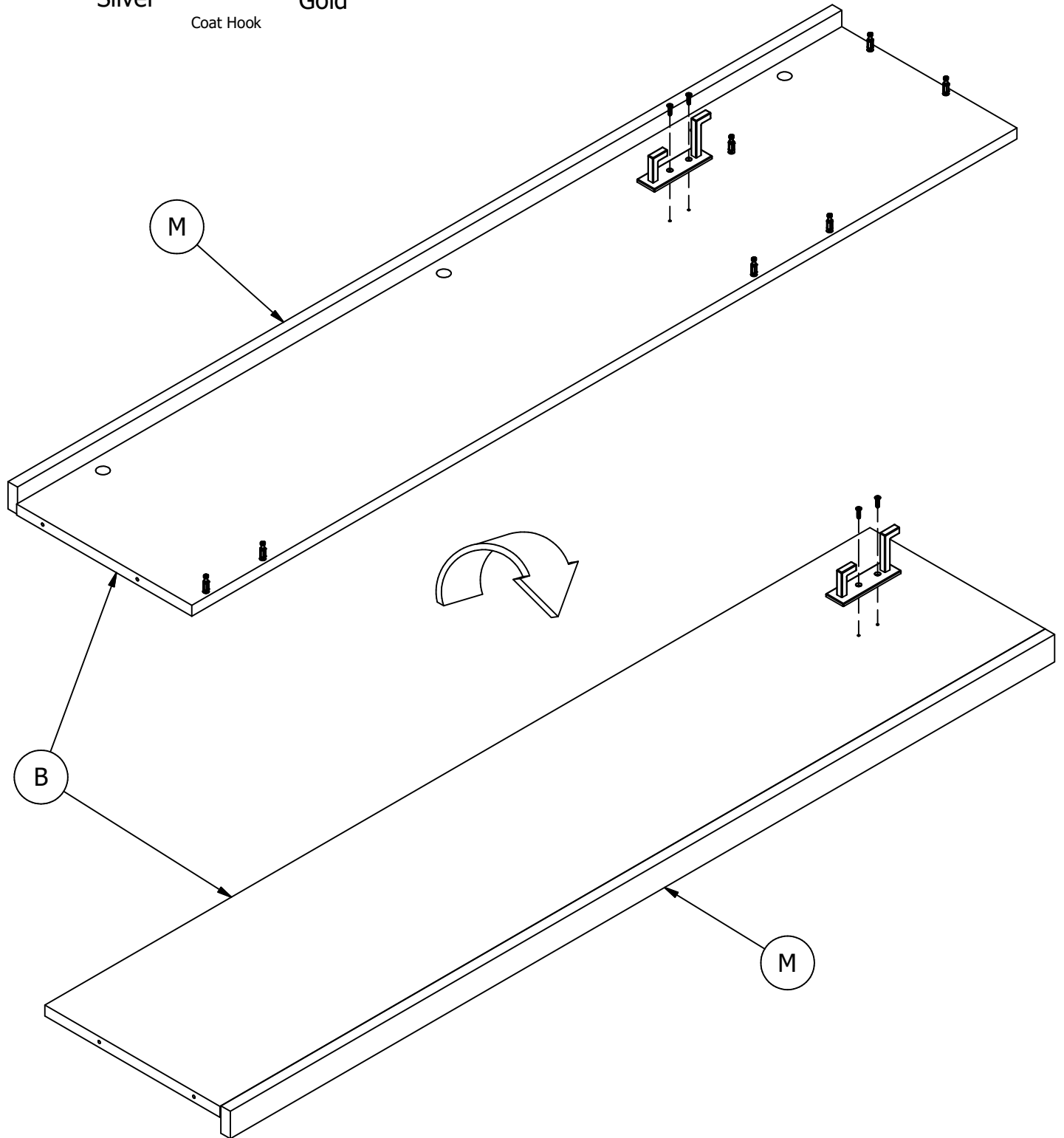
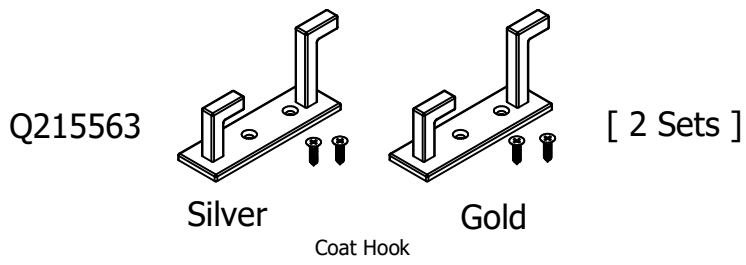


Have an assembly question or need a replacement part? Just call **1-800-950-4782**, we are here to help.

# STEP 13

# Prepare Panel

A215800B



Have an assembly question or need a replacement part? Just call  
**1-800-950-4782**, we are here to help.

# STEP 14

# Assemble Panels

A215800B

Scan QR Code to Watch Video on:



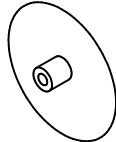
How to Tighten KD Cams

H181468US



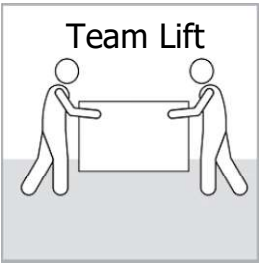
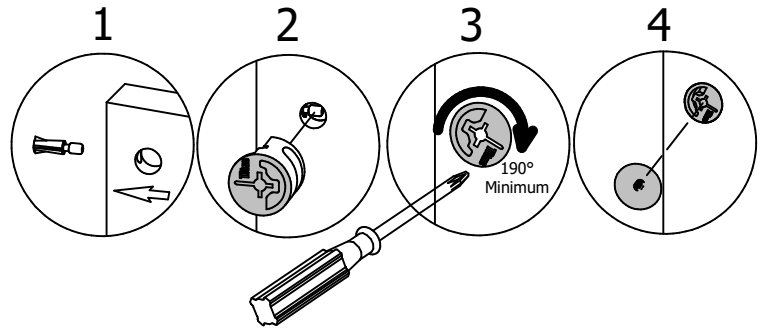
KD Cam3000

[ 3 ]

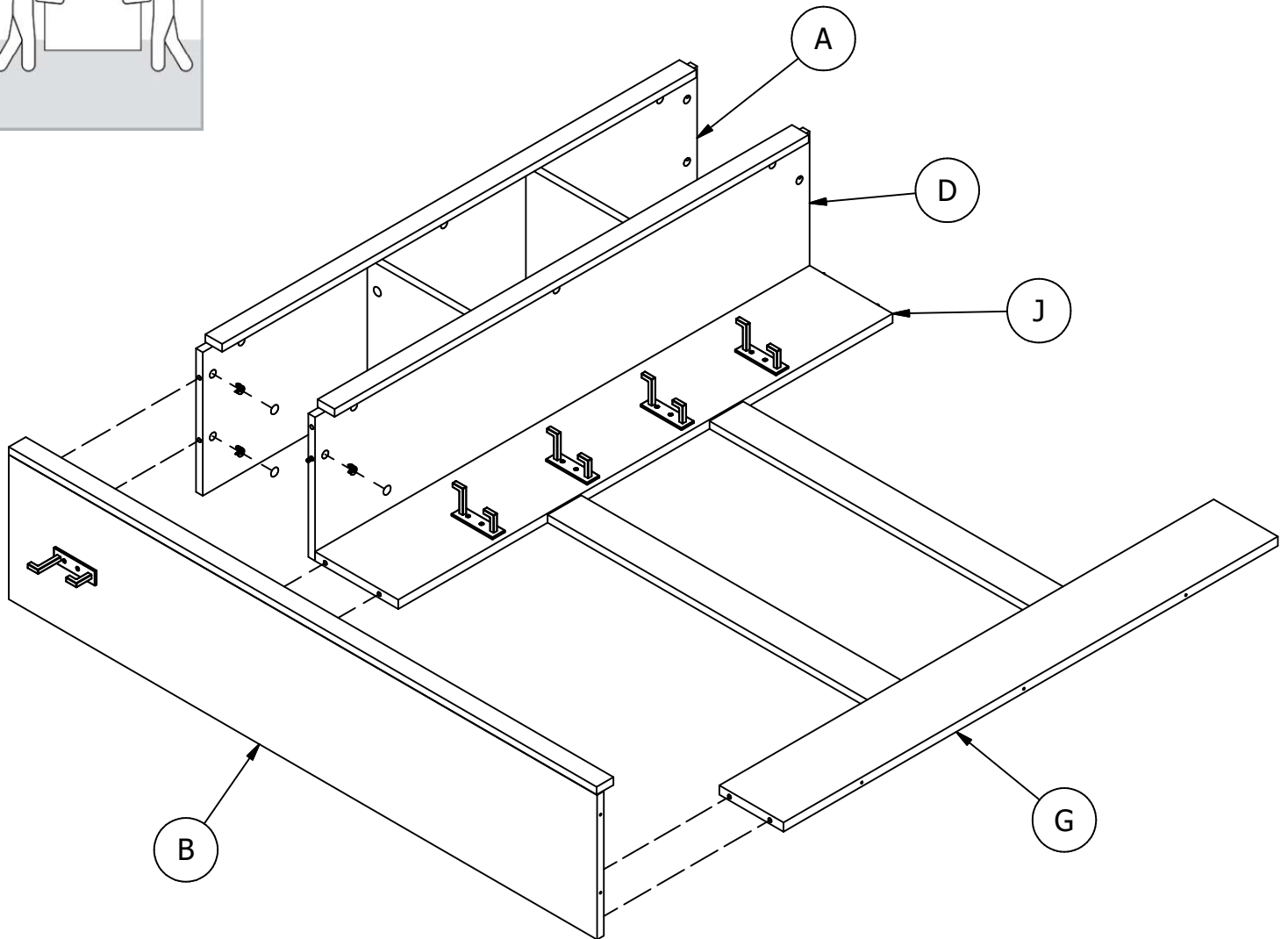


Cover Cap

[ 3 ]



Team Lift



Have an assembly question or need a replacement part? Just call **1-800-950-4782**, we are here to help.

# STEP 15

## Prepare - Assemble Panels

A215800B

Scan QR Code to Watch Video on:



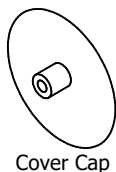
How to Tighten KD Cams

H181468US



KD Cam3000

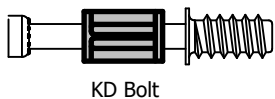
[ 3 ]



Cover Cap

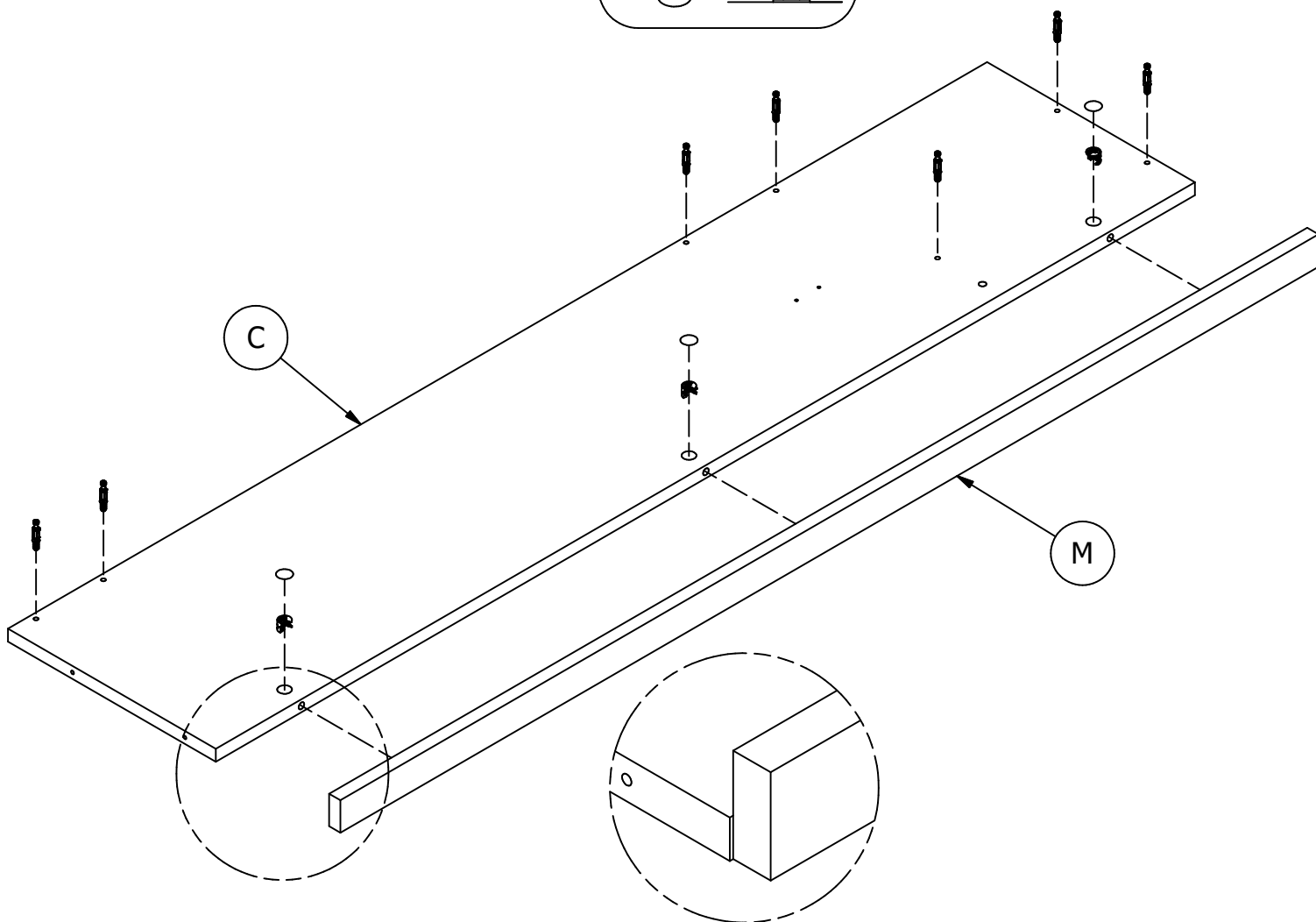
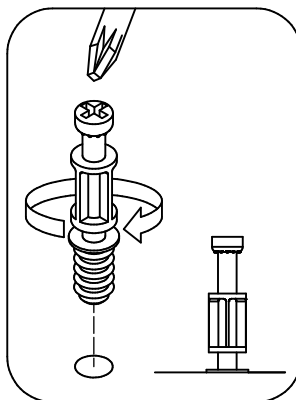
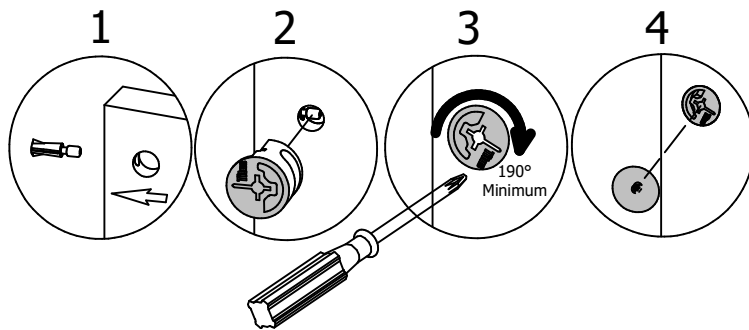
[ 3 ]

H72988

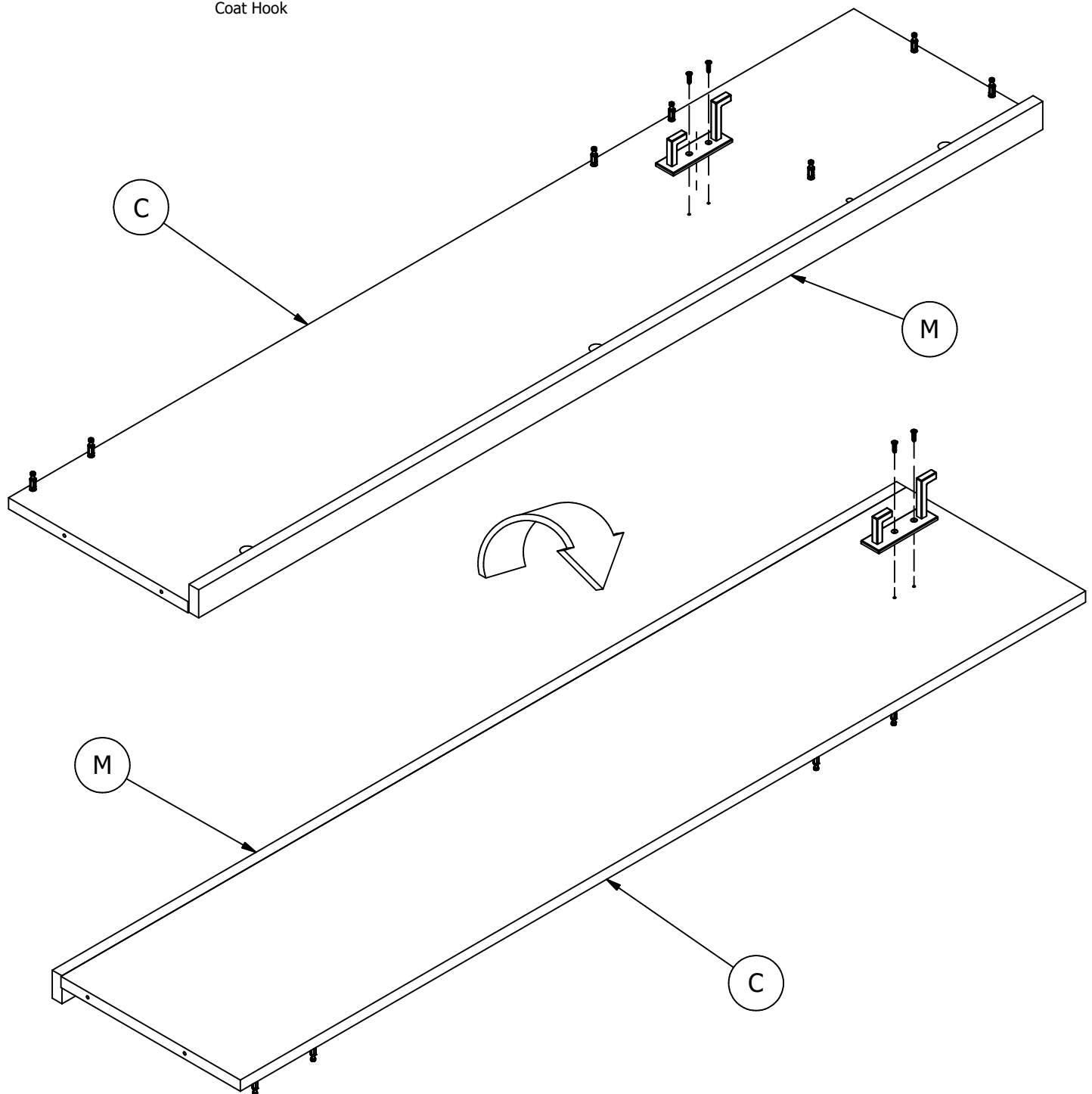
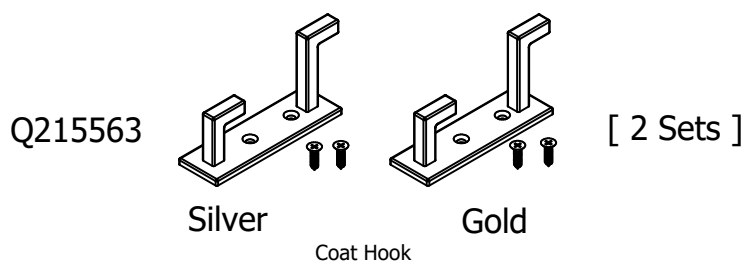


KD Bolt

[ 7 ]



Have an assembly question or need a replacement part? Just call **1-800-950-4782**, we are here to help.



Have an assembly question or need a replacement part? Just call  
**1-800-950-4782**, we are here to help.



Scan QR Code to Watch Video on:

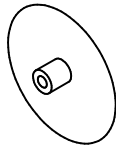


How to Tighten KD Cams

H181468US

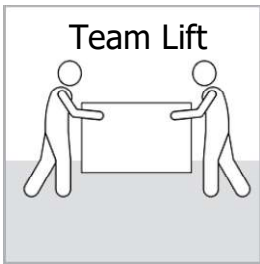
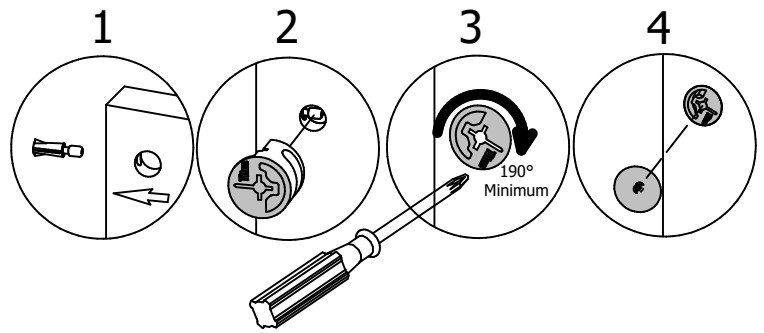


[ 3 ]

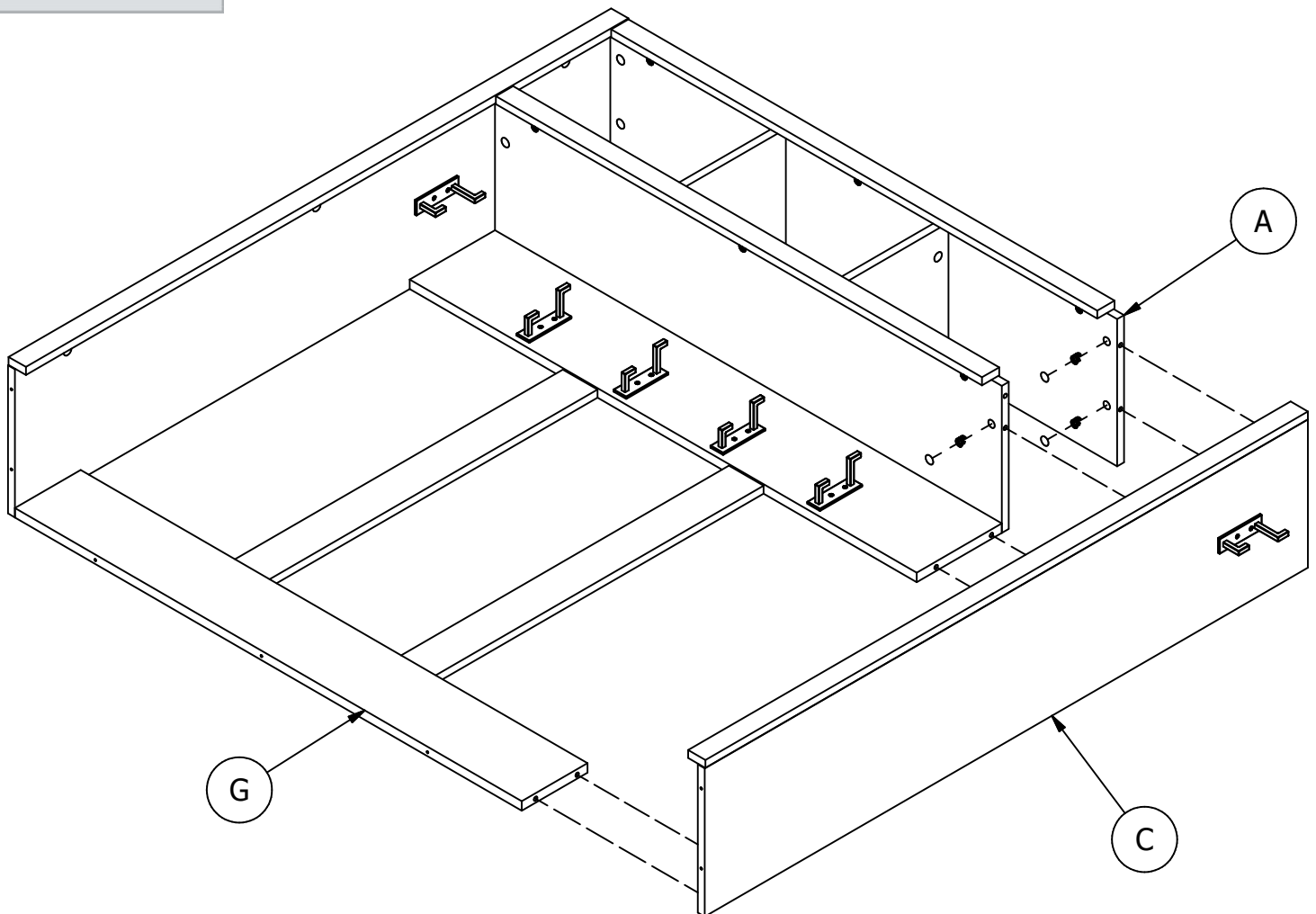


Cover Cap

[ 3 ]



Team Lift

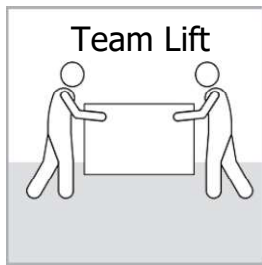


Have an assembly question or need a replacement part? Just call **1-800-950-4782**, we are here to help.

Scan QR Code to Watch Video on:



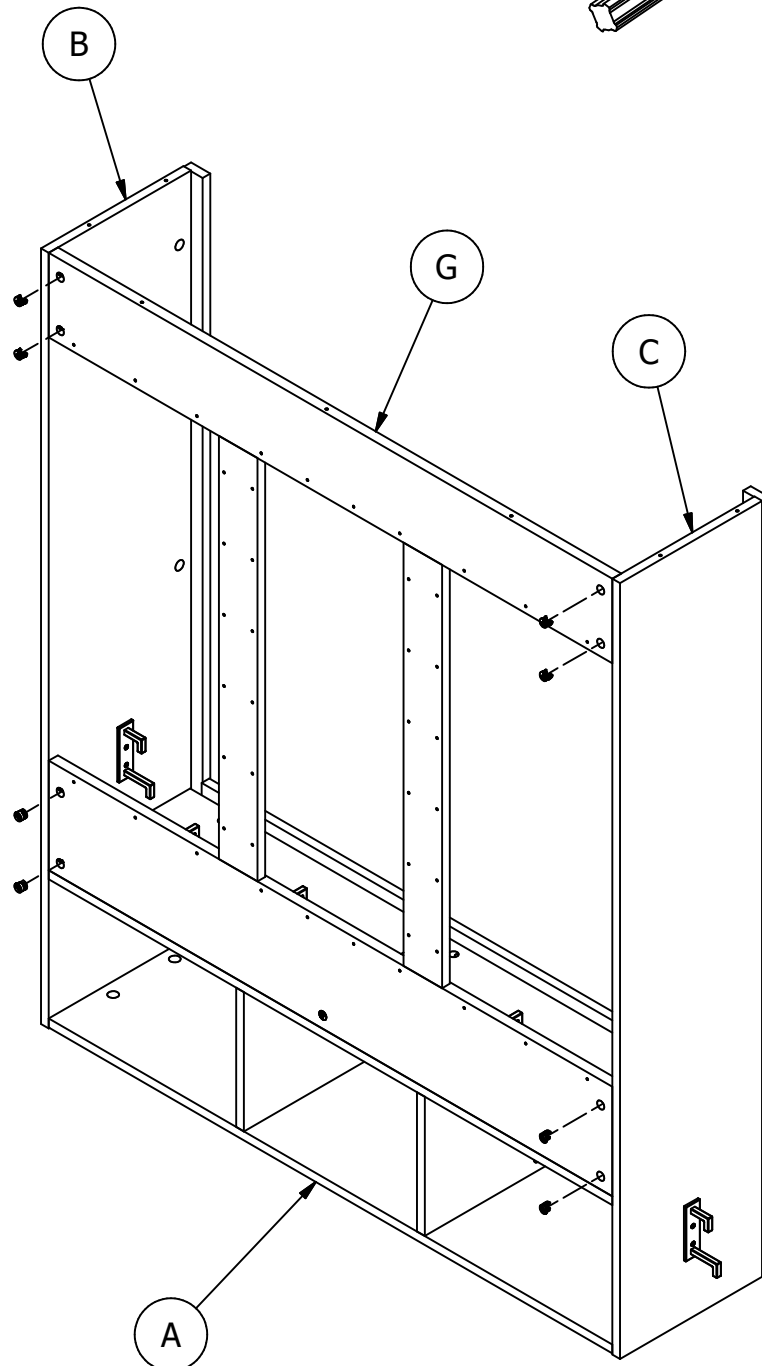
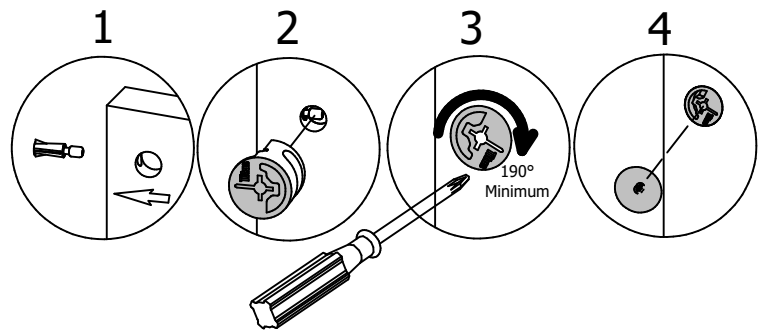
How to Tighten KD Cams



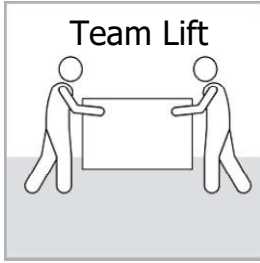
H181468US



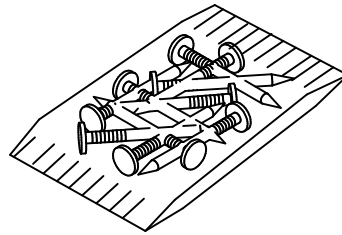
[ 8 ]



Have an assembly question or need a replacement part? Just call **1-800-950-4782**, we are here to help.

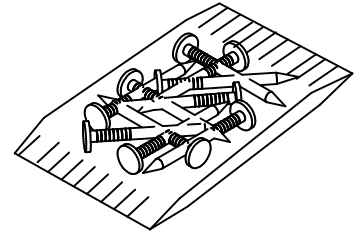


Q85389

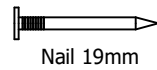
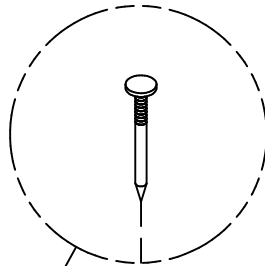


Nail Bag (20)

Q75494

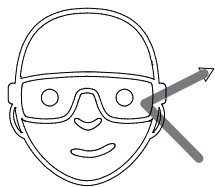


Nail Bag (10)

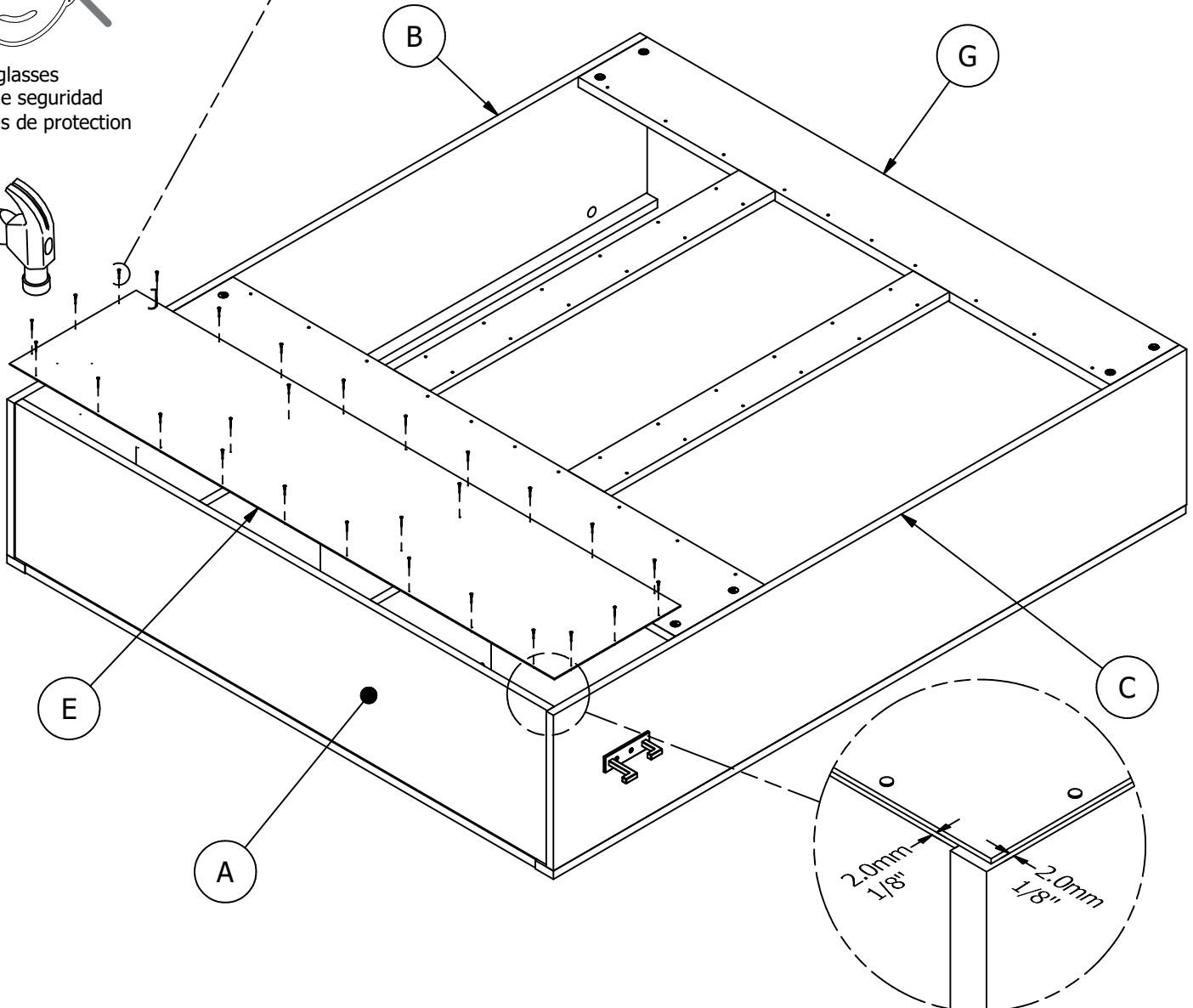
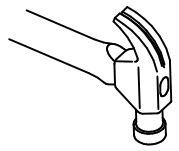


[ 28 ]

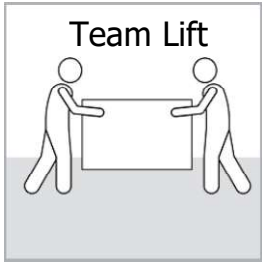
Nail 19mm



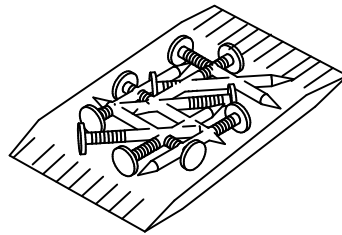
Safety glasses  
Gafas de seguridad  
Lunettes de protection



Have an assembly question or need a replacement part? Just call  
**1-800-950-4782**, we are here to help.

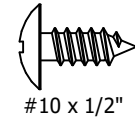


Q85389

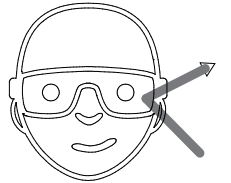


Nail Bag (20)

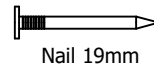
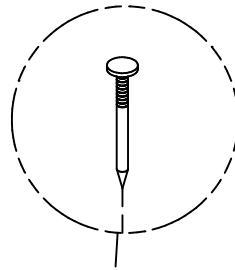
H35251  
(Black)



[ 32 ]

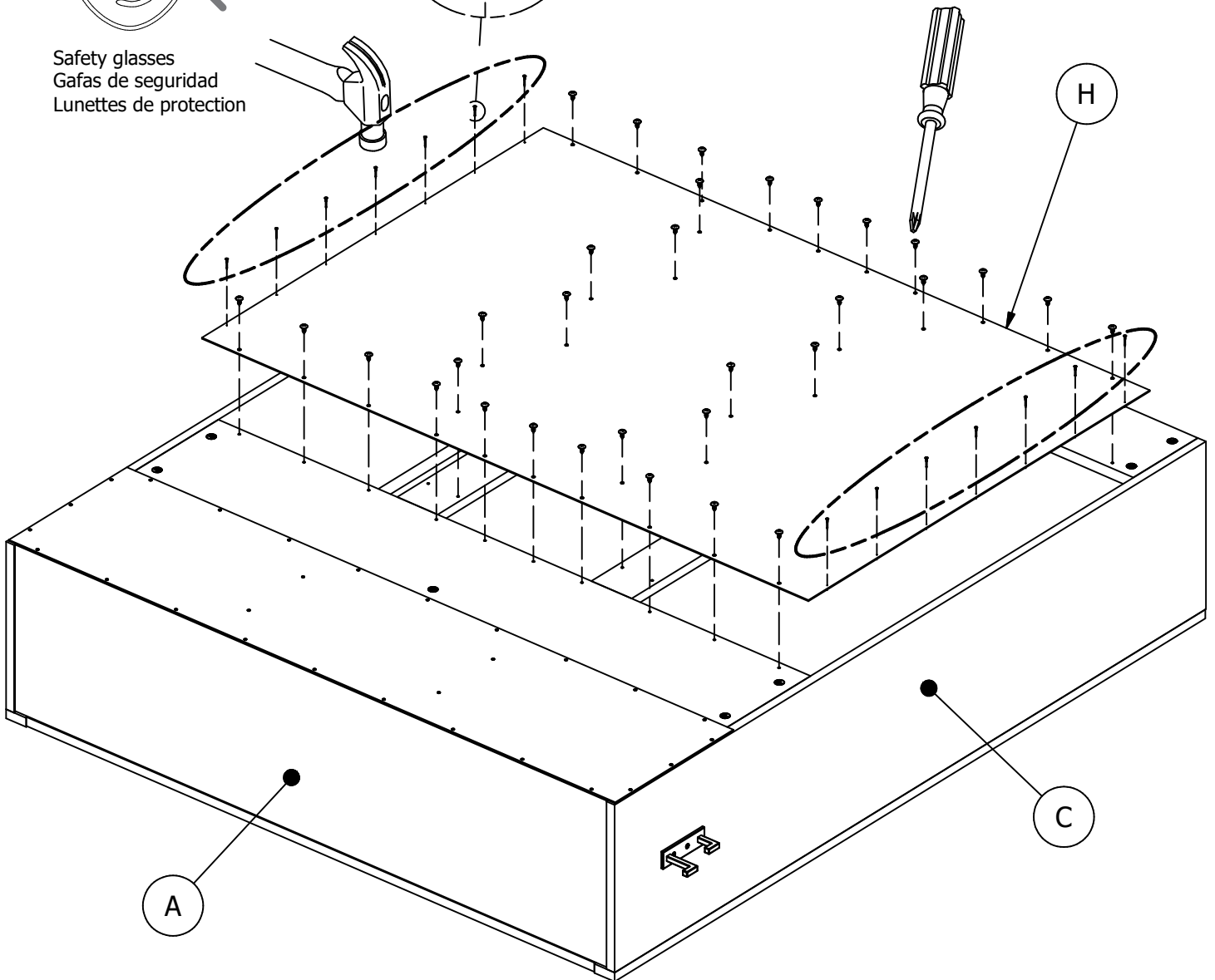


Safety glasses  
Gafas de seguridad  
Lunettes de protection



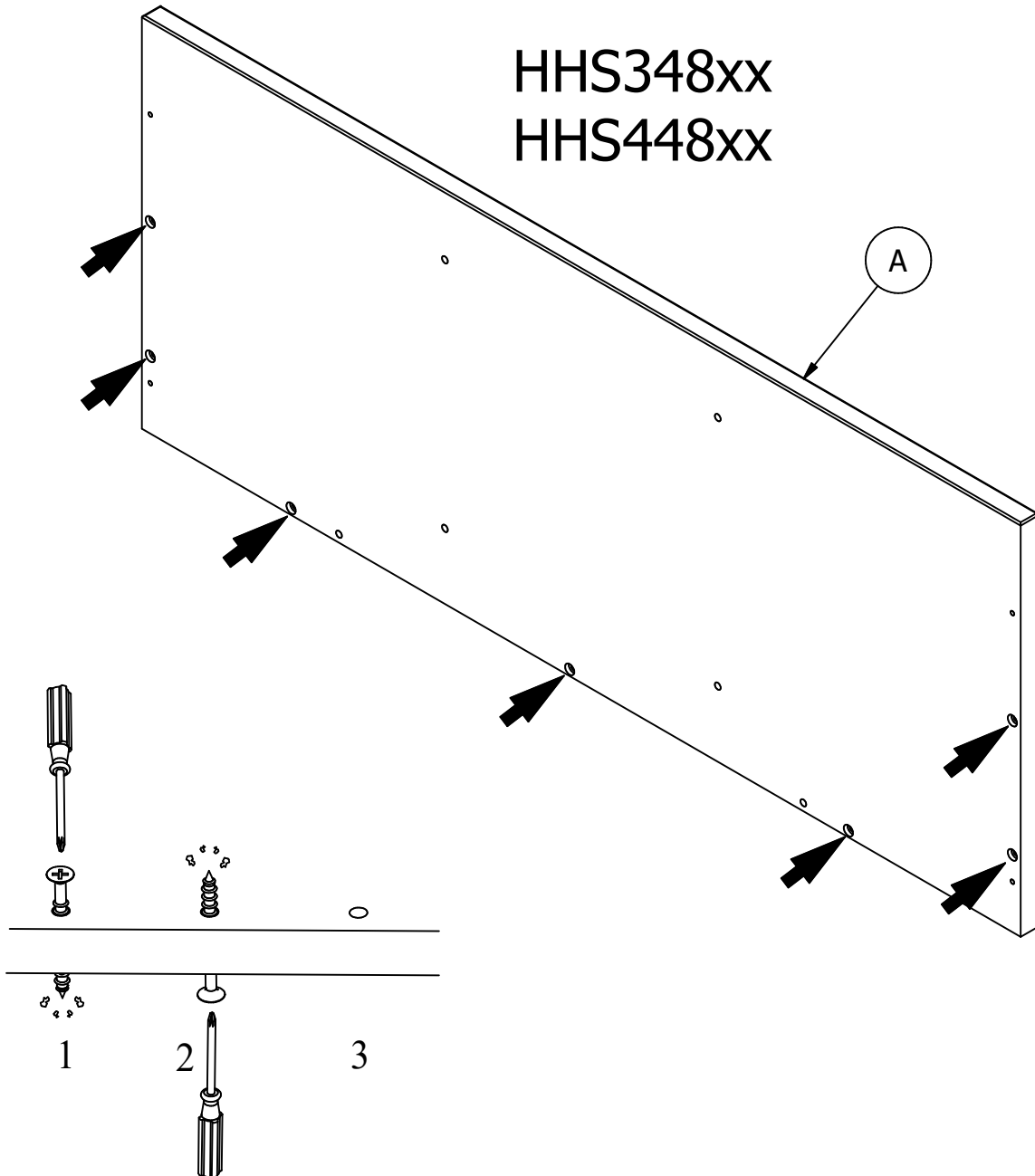
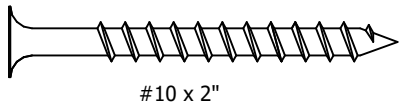
[ 14 ]

Nail 19mm

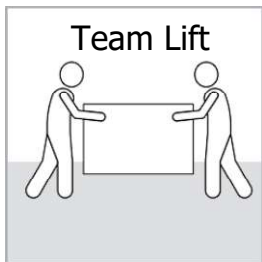


Have an assembly question or need a replacement part? Just call  
**1-800-950-4782**, we are here to help.

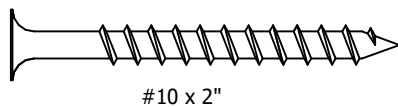
H23491  
(Black)



Have an assembly question or need a replacement part? Just call  
**1-800-950-4782**, we are here to help.

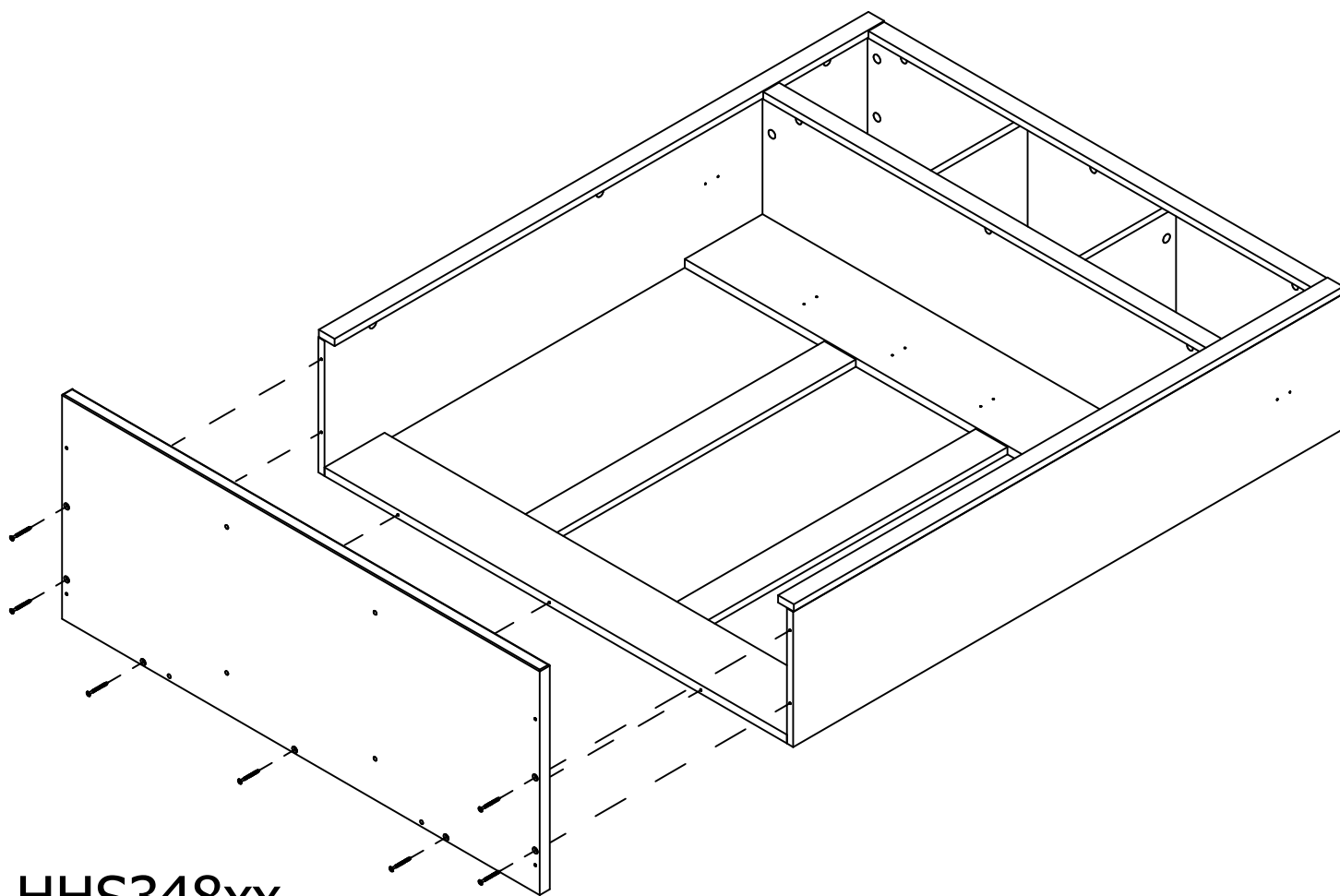


H23491  
(Black)

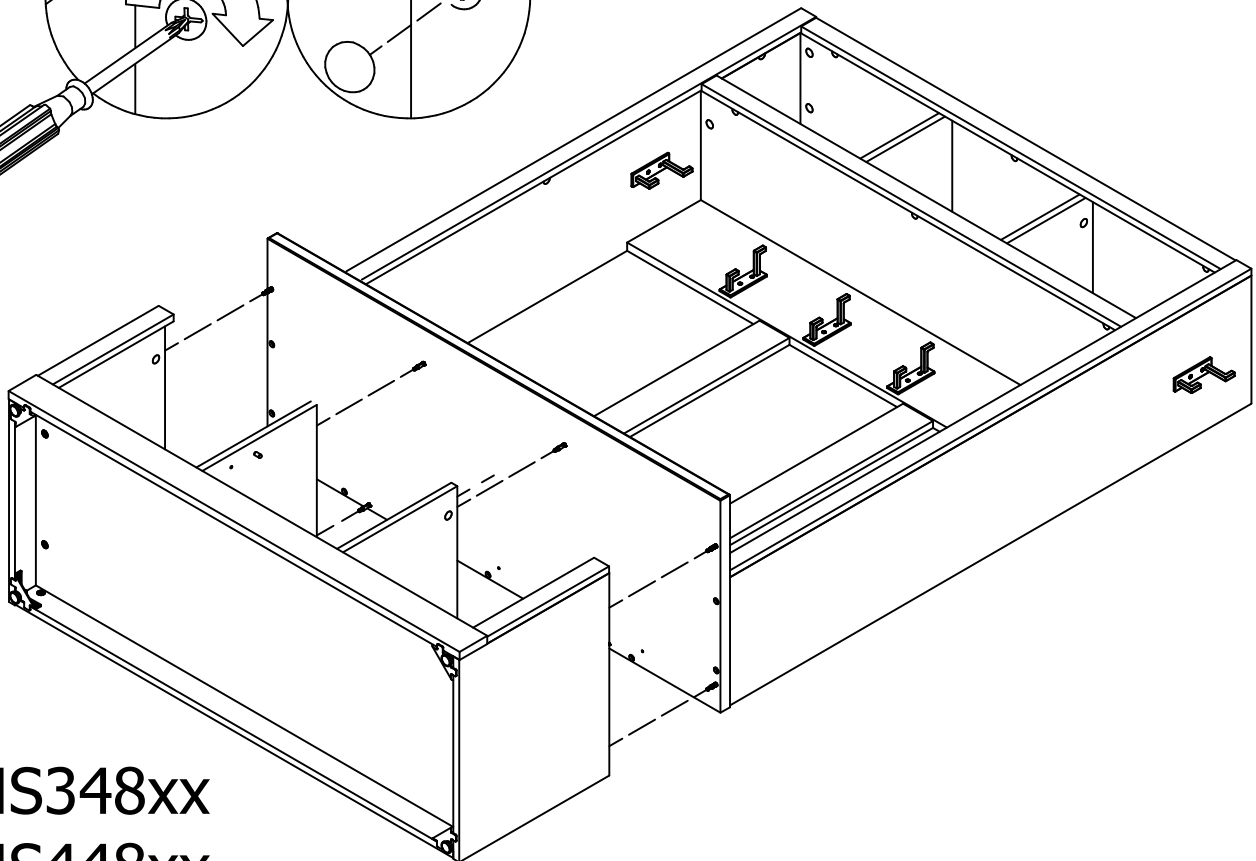
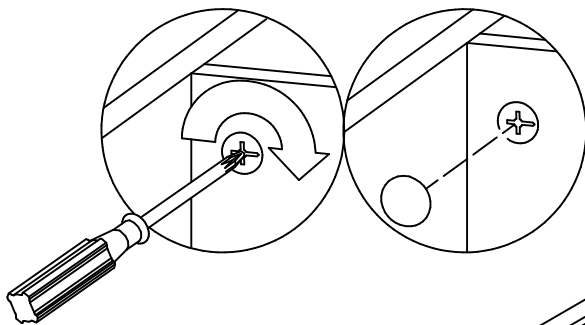


[ 7 ]

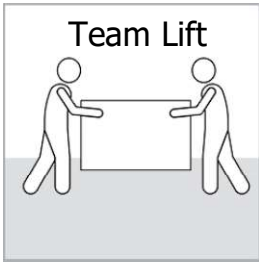
#10 x 2"



HHS348xx  
HHS448xx



HHS348xx  
HHS448xx



Secure unit to the wall with a tip-over restraint.  
 Unidad de seguro a la pared con un sistema de retención de un vuelco.  
 Fixer l'unité au mur avec un dispositif de retenue renversement.

1. Place unit in desired location.
2. Locate wall stud nearest unit center. **FIG A**
3. On wall, mark center of stud location 1" below top of unit. **FIG A**
4. If a wall stud cannot be located mark hollow wall at unit center. **FIG A**
5. On back of unit, mark corresponding location 3/8" below top of unit. **FIG B**

1. Coloque la unidad en el lugar deseado.
2. Localice pie derecho de pared centro de unidad más próxima.
3. En la pared del, marque el centro de la ubicación del montante 1 "abajo la parte superior de la unidad.
4. Si un poste de la pared no se puede localizar marcar pared hueca en el centro de la unidad.
5. En el dorso de la unidad, marque la ubicación 3/8 correspondiente abajo la parte superior de la unidad.

1. Placez l'unité à l'endroit désiré.
2. Localiser centre d'unité la plus proche de la paroi Stud.
3. Sur le mur, centre de emplacement du montant 1 "ci-dessous dessus de l'appareil de la marque.
4. Si un montant de mur ne peut pas être situé marquer mur creux au centre de l'unité.
5. Le dos de l'appareil, marquer l'emplacement 3/8 correspondant ci-dessous dessus de l'appareil.

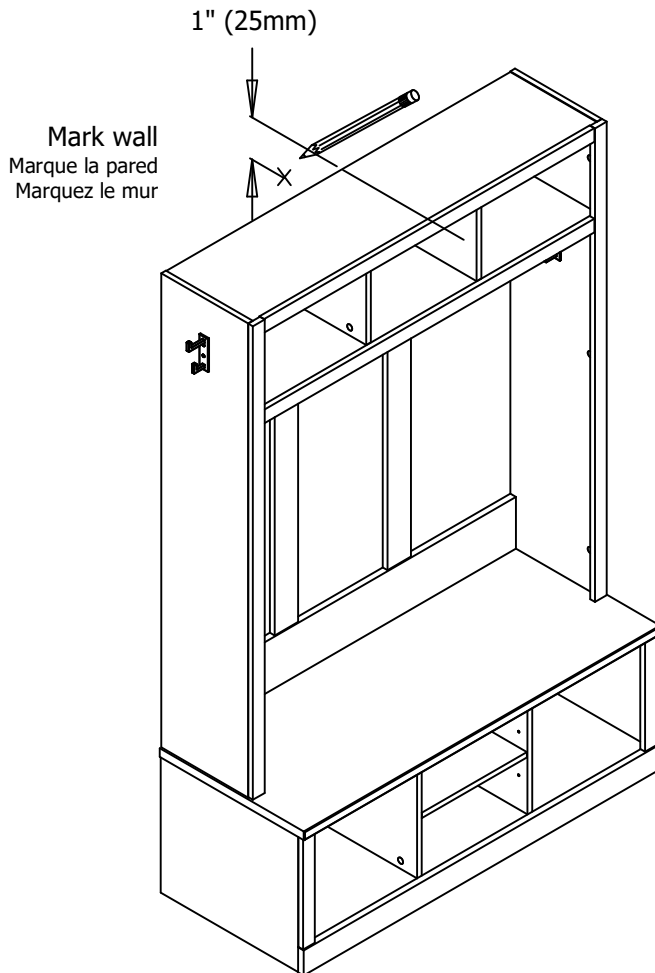


FIG A

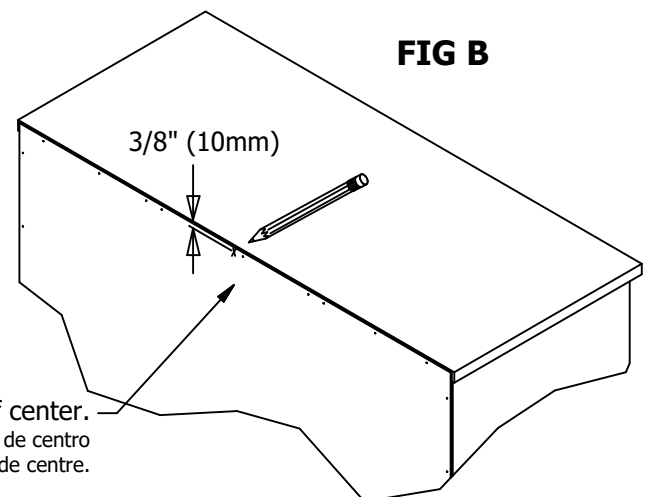


FIG B

Mark back within 6" (150mm) of center.  
 Marcar de vuelta dentro de 6" (150mm) de centro  
 Mark dans les 6" (150mm) de centre.

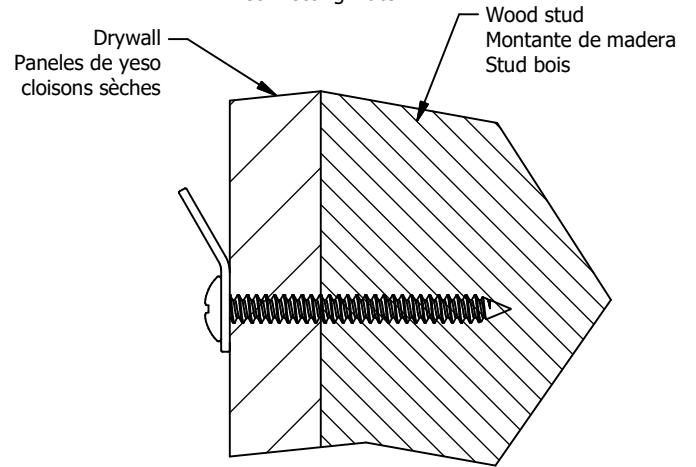
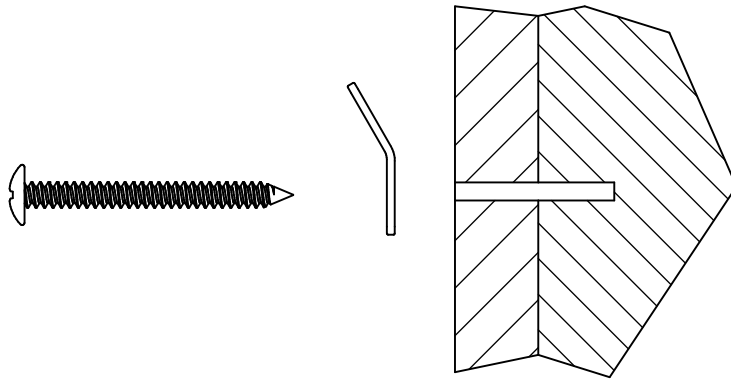
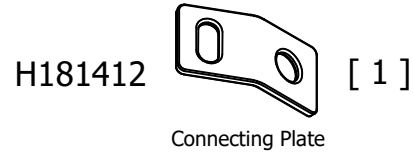
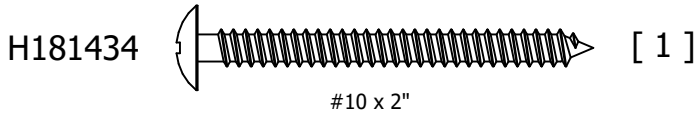
Have an assembly question or need a replacement part? Just call  
**1-800-950-4782**, we are here to help.



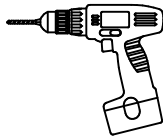
# WALL STUD ATTACHMENT



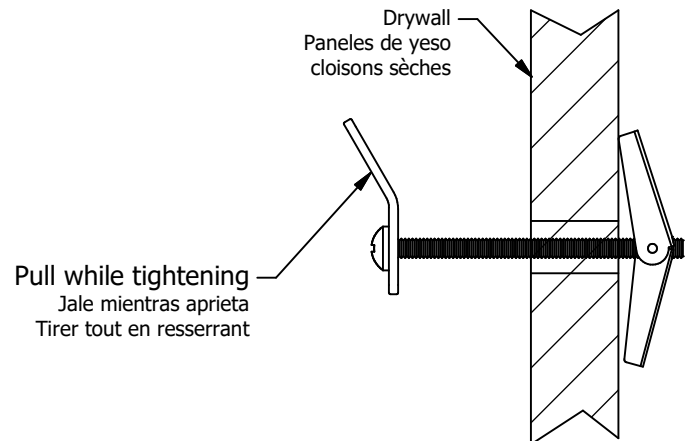
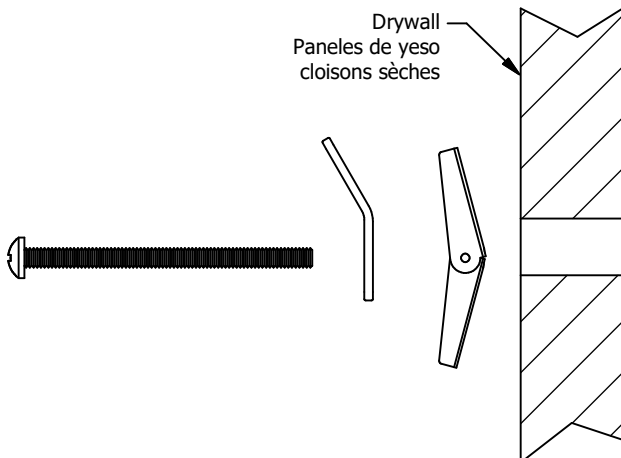
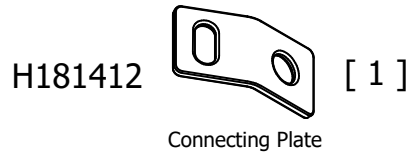
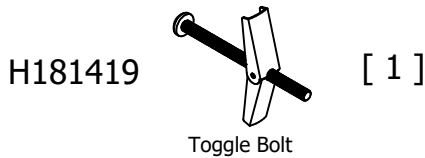
Drill 1/8" hole 2" deep at mark on wall.  
 Taladro 1/8 "agujero 2" de profundidad en la marca en la pared.  
 Percer 1/8 "trou de 2" de profondeur à la marque sur le mur.



# HOLLOW WALL ATTACHMENT

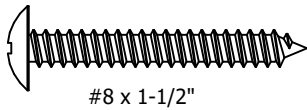


Drill 1/2" hole 1" deep at mark on wall.  
 Taladro 1/2 "agujero 1" de profundidad en la marca en la pared.  
 Percer 1/2 "trou de 1" de profondeur à la marque sur le mur.



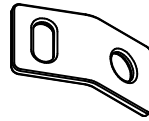
Have an assembly question or need a replacement part? Just call  
**1-800-950-4782**, we are here to help.

H107572



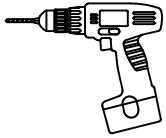
[ 1 ]

H181412



[ 1 ]

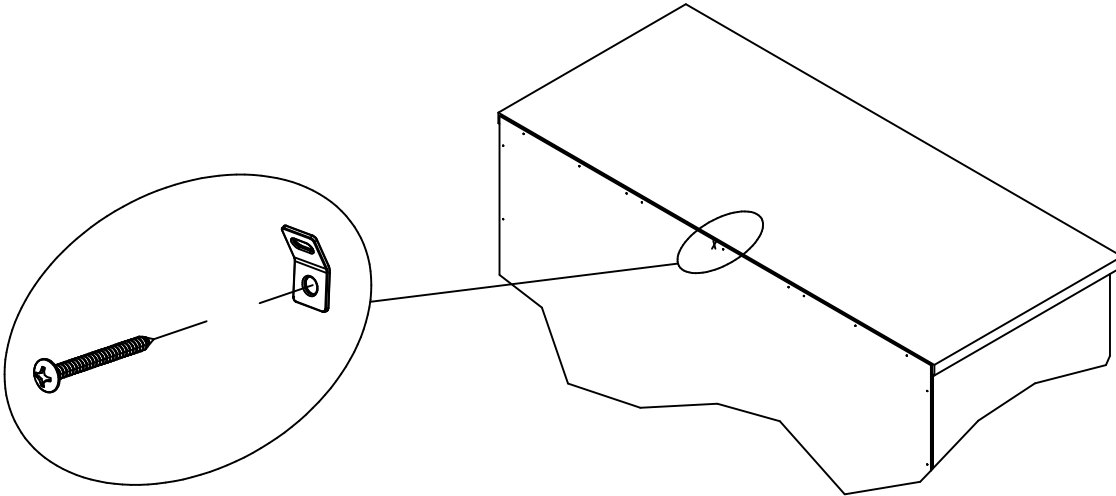
Connecting Plate



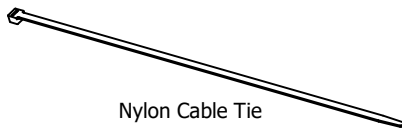
Drill 1/8" hole 1" deep at mark on unit.

Taladro 1/8 "agujero de 1" de profundidad en la marca de la unidad.

Percer 1/8 "trou 1" de profondeur à la marque sur l'unité.

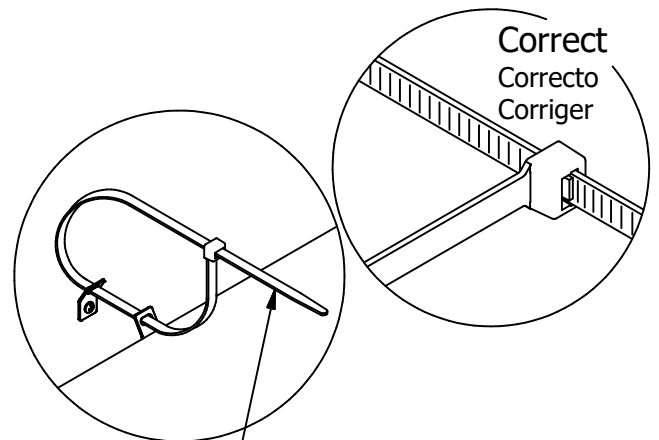
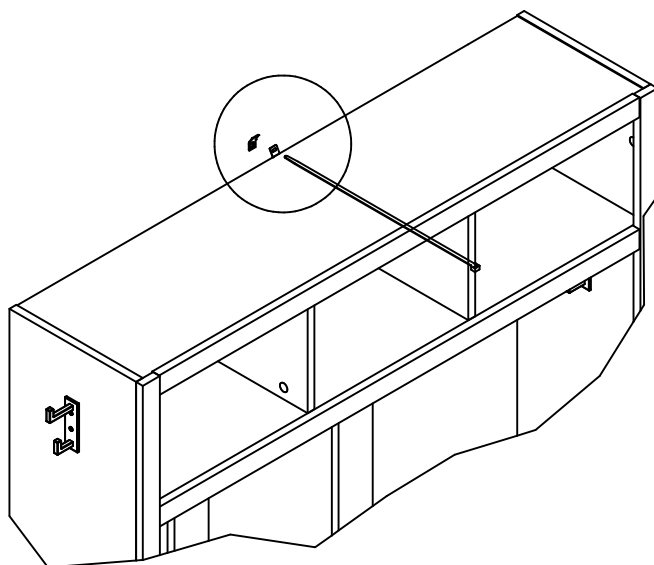


H181411



Nylon Cable Tie

[ 1 ]



Pull to verify lock

Tire para verificar cerradura

Tirez pour vérifier serrure

Use replacement cable tie with minimum breaking strength of 120lbs.

Utilice reemplazo empate Cable con resistencia a la rotura mínima de 120 libras.

Utilisez remplacement Attache de câble avec une force de rupture minimale de 120 lbs.

Have an assembly question or need a replacement part? Just call

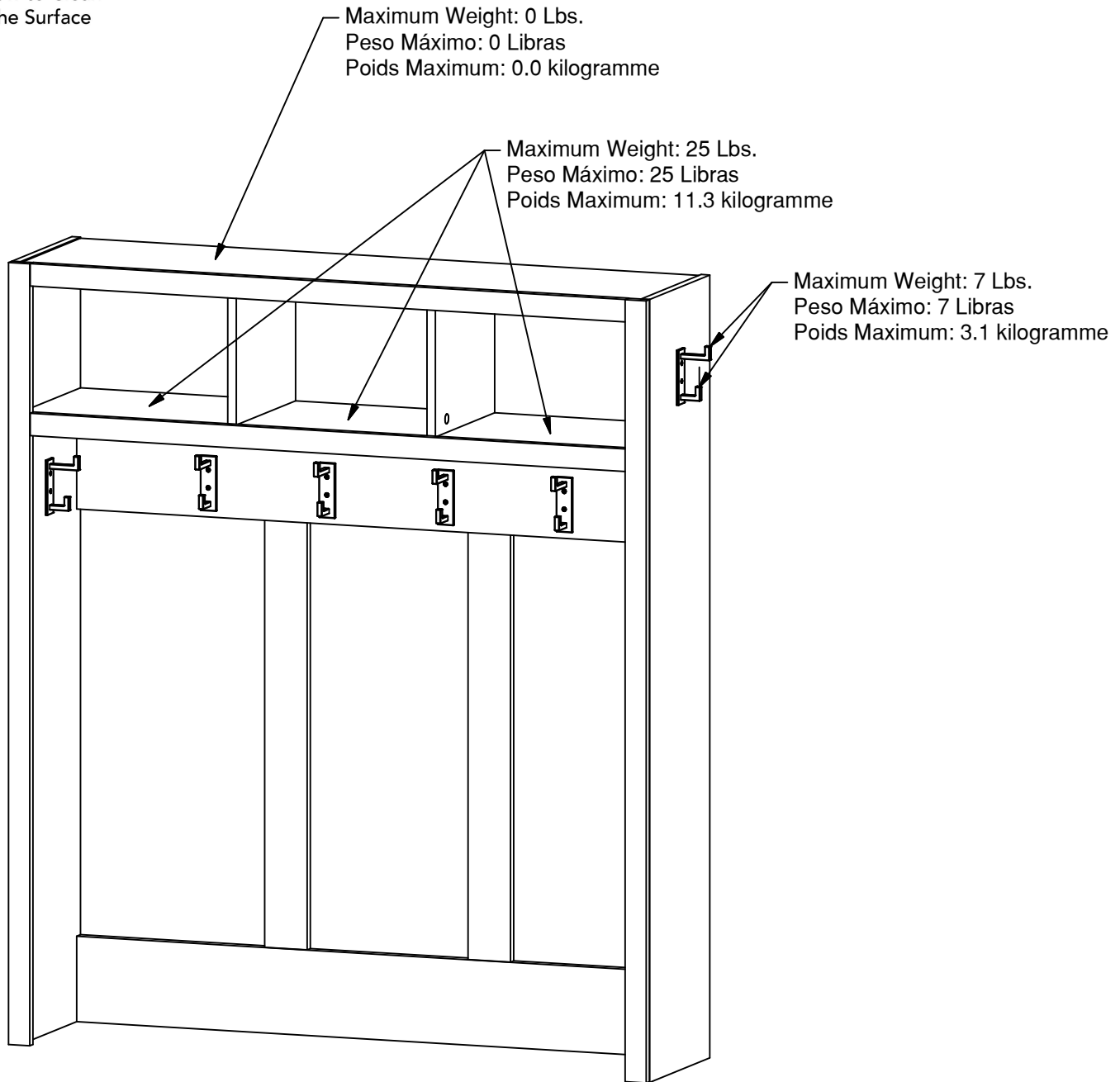
**1-800-950-4782**, we are here to help.

Scan QR Code to Watch Video on:



How to Clean the Surface

Gently clean surfaces with a damp sponge eraser.

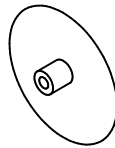


Congratulations! You are all done. If you have any questions or concerns, please call.

Have an assembly question or need a replacement part? Just call **1-800-950-4782**, we are here to help.

HHH148WH		
LABEL CODE	PART NUMBER	QTY
A	W215788	1
B	W215789	1
C	W215790	1
D	W215791	1
E	W215795	1
F	W215793	2
G	W215794	1
H	W215792	1
J	W215796	1
K	W215797	2
L	W215808	2
M	W215799	2

H73619



[ 22 ]

Cover Cap