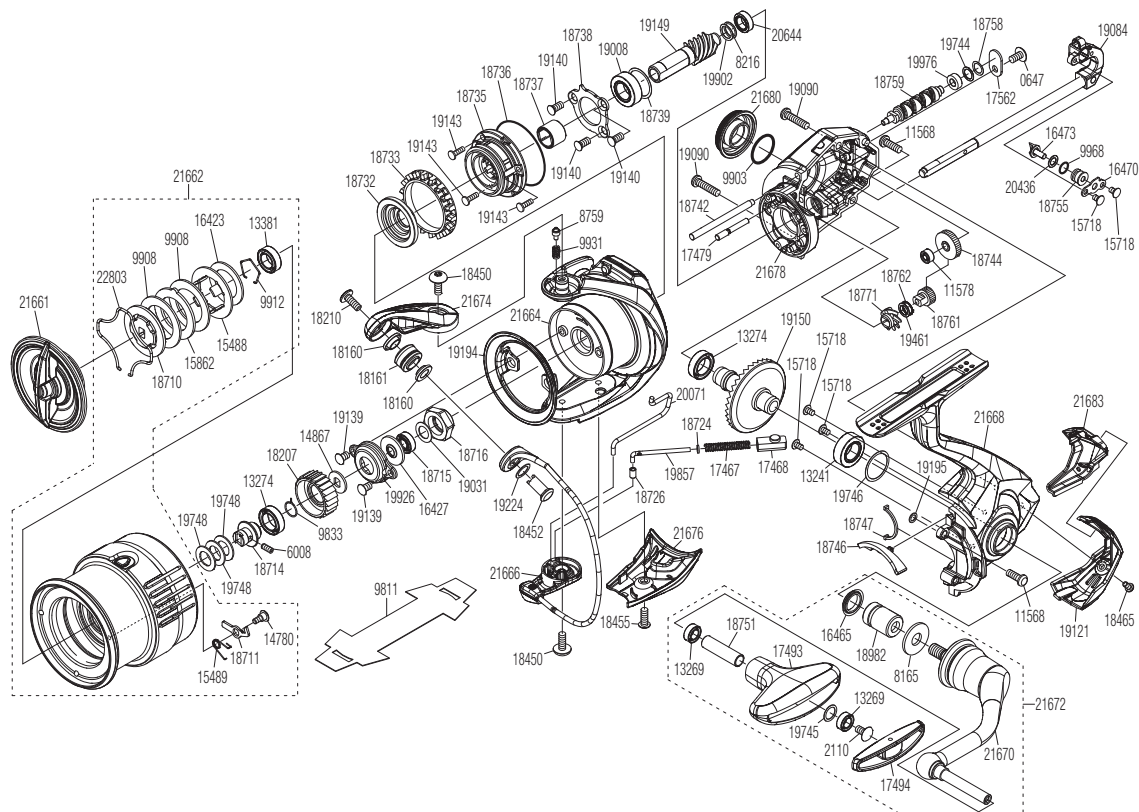


# SHIMANO

## EXSENCE SA-RB

## EXS-C3000MHG



Please note that the number of adjusting washers may not be the same as shown in the exploded views. (Adjustment will vary with each individual product.)

RD 18735 Roller Clutch Assembly please send the equipment out to after-sales service for replacement of the roller clutch assembly.

(51SF50E037X)

#	Part No.	Description	#	Part No.	Description	#	Part No.	Description
0647	10QG5	Screw	18465	10EF0	Screw	19745	104FH	Washer
2110	103E9	Screw	18710	10TJV	Key Washer B	19746	101AY	Washer
6008	10PN2	Set Screw	18711	10TJX	Drag Click	19748	10DHG	Spool Washer
8165	10FJ6	Washer	18714	10DKF	Spool Bearing Bushing	19857	10SAN	Bail Spring Guide A
8216	10HV4	Spacer	18715	10TD2	Main Shaft Spacer Assembly	19902	10DJ1	Washer
8759	106UX	Click Pin	18716	101CY	Rotor Nut	19926	1076N	Nut Lock Plate
9833	107V2	Ratchet Spring	18724	101D9	Spring Guide A Support Collar	19976	1009C	Bushing
9903	108WA	O Ring	18726	10DKC	Bail Spring Guide A Bush	20071	101VW	Bail Trip Lever
9908	102ZP	Drag Washer A	18732	101D5	Rotor Ring	20436	100CW	Washer
9912	10GEW	Bearing Retainer	18733	10DK7	Friction Ring	20644	10RKR	Ball Bearing
9931	10CGZ	Click Spring	18735	10S2L	Roller Clutch Assembly	21661	10DV4	Drag Knob Assembly
9968	108W9	O Ring	18736	10DKD	Roller Clutch Case Seal	21662	101JD	Spool Assembly
11568	10M2C	Screw	18737	10DJY	Roller Clutch Inner	21664	10TKZ	Rotor Assembly
11578	10PC0	Ball Bearing	18738	10DJZ	Bearing Retainer	21666	10TKJ	Bail Assembly
13241	104JD	Ball Bearing	18739	10RYR	Washer	21668	10SJS	Side Cover Assembly
13269	104VX	Ball Bearing	18742	101CZ	Oscillating Guide A	21670	10SJK	Handle Shank Assembly
13274	104PP	Ball Bearing	18744	10DK0	Idle Gear	21672	1025K	Handle Assembly
13381	104JT	Ball Bearing	18746	10DJK	Bail Trip Strike	21674	10S7G	Bail Arm
14780	10A6F	Screw	18747	10DKA	Flange Water Proof	21676	100AA	Bail Hold Support Guard
14867	103PE	Spool Support	18751	1022F	Handle Knob Shaft Pipe	21678	100A3	Body
15488	10BBQ	Key Washer A	18755	101BY	Oscillating Slider Bushing	21680	100AB	Handle Screw Cap
15489	10BQE	Drag Click Spring	18758	10TK0	Washer	21683	10S7M	Rear Shield
15718	1055G	Screw	18759	101CR	Worm Shaft	22803	145QR	Retainer
15862	102XW	Eared Washer	18761	10DK2	Idle Gear (Small)			
16423	10C1D	Drag Washer B	18762	10TJT	Washer			
16427	107L2	Bearing Water Proof	18771	10S9M	Idle Gear (Large)			
16465	10PXU	Handle Shaft Seal	18982	10070	Handle Shaft Cover B			
16470	10HAG	Oscillating Pawl Cover	19008	1022A	Ball Bearing			
16473	106VL	Oscillating Pawl	19031	1026J	Washer			
17467	10R2P	Bail Spring	19084	10E9E	Main Shaft Assembly			
17468	10R2E	Bail Spring Guide B	19090	100YN	Screw			
17479	10R3L	Idle Gear Shaft	19121	100ZB	Rear Protector			
17493	10R38	Handle Knob	19139	10T1G	Screw			
17494	10R3A	Handle Knob Seal	19140	10TGX	Screw			
17562	10ATC	Worm Shaft Retainer	19143	101LH	Screw			
18160	1020L	Bearing Spacer	19149	100QV	Pinion Gear			
18161	101KE	Line Roller Set	19150	10TBN	Drive Gear			
18207	10SYS	Drag Click Ratchet	19194	100Z5	Rotor Brim			
18210	10TLJ	Screw	19195	10GA7	Washer			
18450	10SN9	Screw	19224	100Z5	Washer			
18452	10EAP	Line Roller Support	19461	10DHM	Washer			
18455	10DT7	Screw	19744	100XZ	Washer	9811	10PBS	Reel Seat Spacer (accessory)