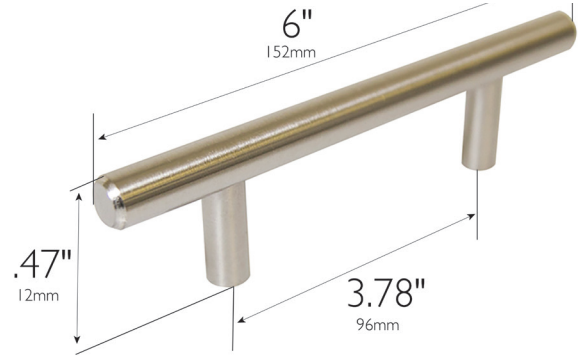
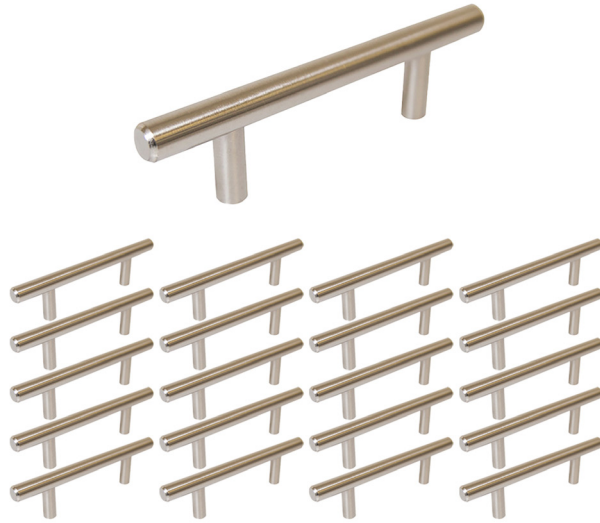


Truss Cabinet and Drawer Pull, 20-Pack Stainless Steel



SPECIFICATIONS

MATERIAL CONSTRUCTION:	Steel
MOUNTING HARDWARE INCLUDED:	Yes
TOOLS NEEDED FOR INSTALLATION:	Screwdriver
ASSEMBLED DIMENSIONS:	6"W x .47" H
ASSEMBLED WEIGHT:	2.03 lbs.
LEVER/PULL LENGTH:	6"
CENTER TO CENTER:	3.78" C-C
PROJECTION:	1.26"

WARRANTY:	1-Year limited warranty
LEGAL FOR SALE IN CALIFORNIA:	Yes



TYPE:
JOB:
ORDER CODE:
APPROVALS: