

SINCE 1839

BRINLY

SINCE 1839

BRINLY

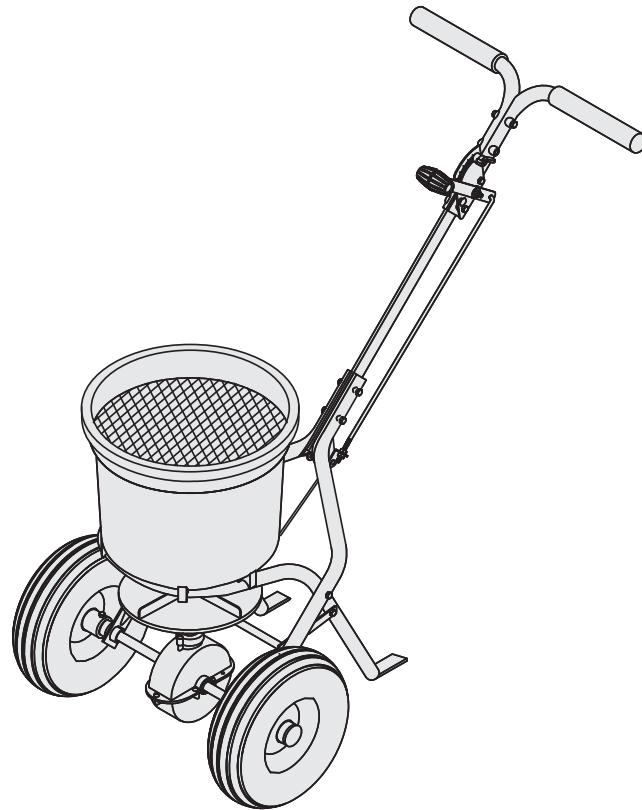
OWNER'S MANUAL

PUSH SPREADER

MODEL:

P20-500BH

- Assembly
- Installation
- Operation
- Repair Parts



Call Customer Service, Toll-Free: 877-728-8224

Visit us on the web!
www.brinly.com

Important: This manual contains information for the safety of persons and property. Read it carefully before assembly and operation of the equipment!

INTRODUCTION AND SAFETY

CONGRATULATIONS on your new Brinly-Hardy Spreader! This accessory has been designed, engineered and manufactured to give you the best possible dependability and performance.

Should you experience any problem you cannot easily remedy, please do not hesitate to contact our knowledgeable customer service department toll-free at 1-877-728-8224. We have competent, well trained technicians to help you with the assembly and use of your spreader.



CUSTOMER RESPONSIBILITIES

- Please read & retain this manual. The instructions will enable to assemble and maintain your product properly.
- Please carefully read and observe the SAFETY SECTION of this manual.
- Follow a regular schedule in maintaining and caring for your Brinly-Hardy product.

TABLE OF CONTENTS

SAFETY	2-3
PARTS BREAKDOWN	4-5
ASSEMBLY	6-9
OPERATION AND MAINTENANCE	10-11
APPLICATION RATE CHART	12-15
WARRANTY	16

MANUAL EN ESPAÑOL	17-32
MANUAL EN FRANÇAIS	33-48

RECORD PURCHASE INFORMATION

Record your purchase information in the spaces provided below:

Date of Purchase _____

Company Name _____

Company Phone _____

Serial Number _____

SAFETY



This symbol will help to point out important safety precautions throughout this manual. It means: **ATTENTION! BECOME ALERT! YOUR SAFETY IS INVOLVED.**

The machine safety labels shown in this section are placed in important areas on your machine to draw attention to potential safety hazards.

On your machine safety labels, the words **DANGER, WARNING,** and **CAUTION** are used with this safety-alert symbol. **DANGER** identifies the most serious hazards.

The operator's manual also explains any potential safety hazards whenever necessary in special safety messages that are identified with the word, **CAUTION**, and the safety-alert symbol.

PARTS BREAKDOWN

Ref.	Description	Part #	Qty
1	Handle spacer	1007081	1
2	Carriage bolt, M6 x 25	1007082	1
3	Washer, M6	1007083	1
4	Gauge and lever assembly	1007084	1
5	Adjust handle assembly	1007085	1
6	Adjust handle knob side 1	1007086	1
7	Adjust handle knob side 2	1007087	1
8	Screw, M4 x 18	1007088	1
9	Handle spacer	1007089	1
10	Wing nut, M6	1007090	1
11	Bolt, M6 x 45	1007091	7
12	Nylon washer	1007092	1
13	Flat washer, M6, big	1007093	1
14	Screen	1007094	1
15	Handle cover	1007095	2
16	Hopper Assembly, Black*	1008017*	1
17	R pin, M2 diameter	1007097	1
18	Hopper bushing	1007098	1
19	Pivot and bracket assembly	1007099	1
20	Wheel frame tube	1007100	2
21	Nut, M6	1007101	2
22	End cover	1007102	2
23	Upper handle	1007103	2
24	Lock nut, M6	1007104	11
25	Control rod A	1007105	1
26	Handle shaft	1007106	1
27	Shut off plate	1007107	1
28	Flat washer, M4, big	1007108	3
29	Screw, M4 x 12	1007109	3
30	Frame	1007110	1
31	Frame brace	1007111	2
32	Bolt, M6 x 50	1007112	2

Ref.	Description	Part #	Qty
33	Bolt, M6 x 30	1007113	2
34	Flat washer, M16	1007114	1
35	End cap	1007115	2
36	Pneumatic wheel (Yellow Hub)	1007116	2
	Pneumatic wheel (Gray Hub)	1008781	2
37	Axle bushing	1007117	2
38	Axle bearing	1007118	2
39	Gearbox & axle assembly	1007119	1
40	2.9 x 28mm Cotter Pin, SS	1008031	1
41	Screw, M4 x 20	1007121	1
42	Impeller	1007122	1
43	Screw, M6 x 40	1007123	4
44	Hex locknut, M5	1007124	1
45	Cross brace	1007125	1
46	Adjust connect rod, B	1007126	1
47	Hex bolt, M5 x 45	1007127	1
48	Flat washer, M6	1007128	3
49	Cotter Pin, Small	1008098	2
50	Nylon Washer	1007531	4
51	Decal, Brinly	B-5924	1

* Assembly includes Part Numbers :
16, 18, 27, 28, 29

Installation Questions?
Missing Parts? Replacement Parts?
**DON'T GO BACK TO
THE STORE!**

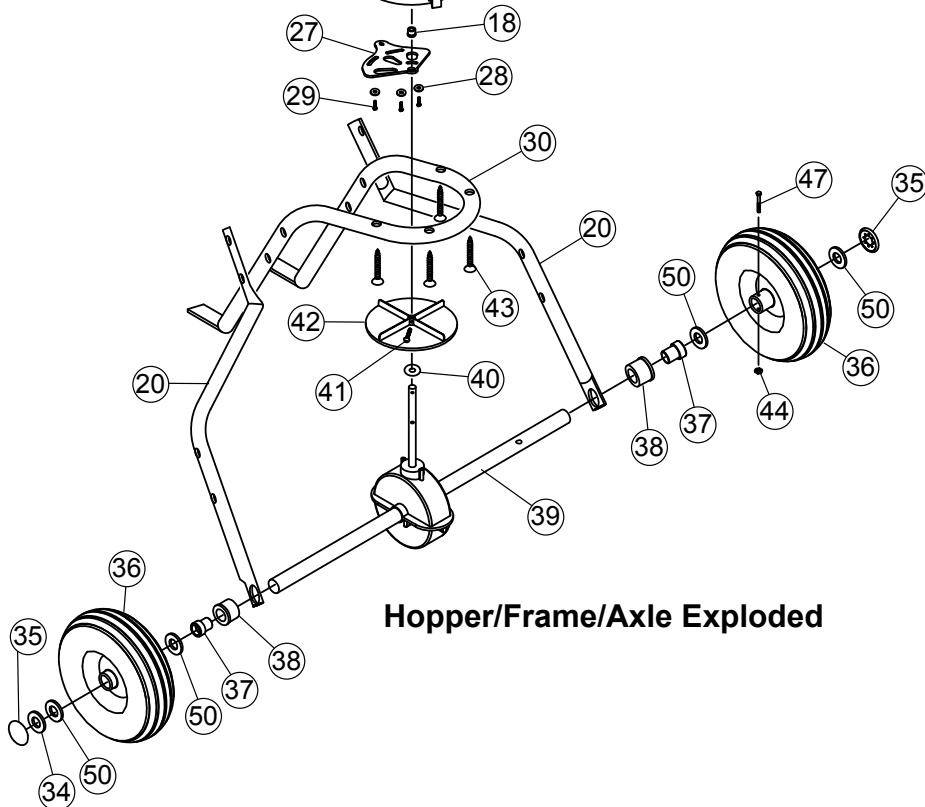
Please call our Customer Service
Department, Toll Free: 877-728-8224
or customerservice@brinly.com



PARTS BREAKDOWN



Handle/Frame Exploded



Hopper/Frame/Axle Exploded

ASSEMBLY

TOOLS REQUIRED: 2- 10mm Wrenches

Figure 1

1. Remove two M6 locknuts and M6 x 45mm long bolts to remove pivot and bracket assembly from wheel frame tubes.

NOTE:

Set bolts and nuts to the side. You will re-install them in Step 3.

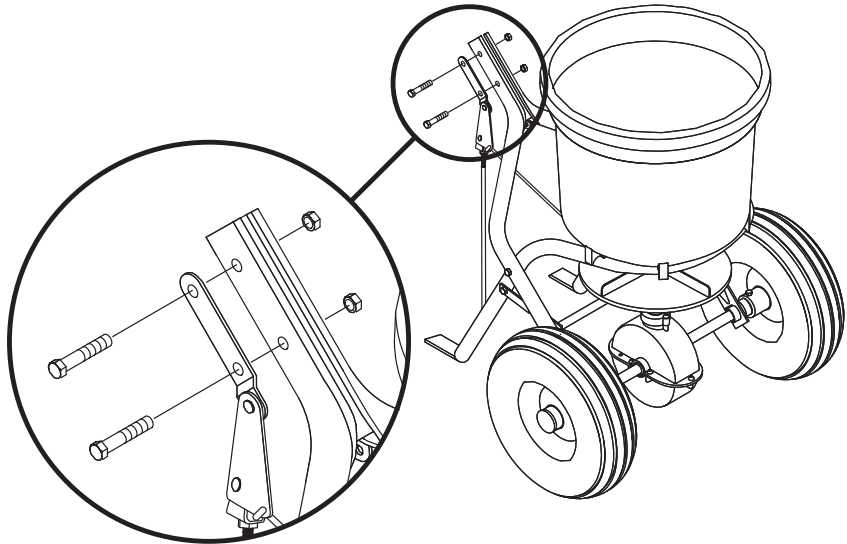


Figure 2

2. Tilt arm assembly, and insert rod into flow control handle.



ASSEMBLY

Figure 3

3. Insert arm assembly between frame tubes.

Re-install pivot and bracket assembly through wheel frame tubes and arm assembly with two M6 x 45mm bolts and M6 locknuts removed in Step 1.

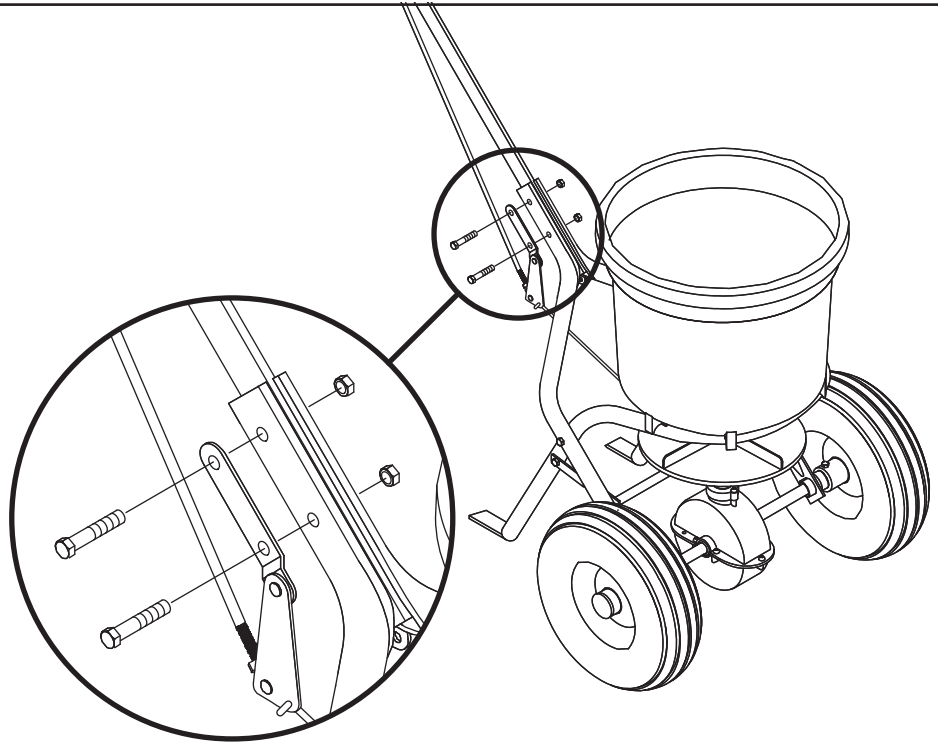
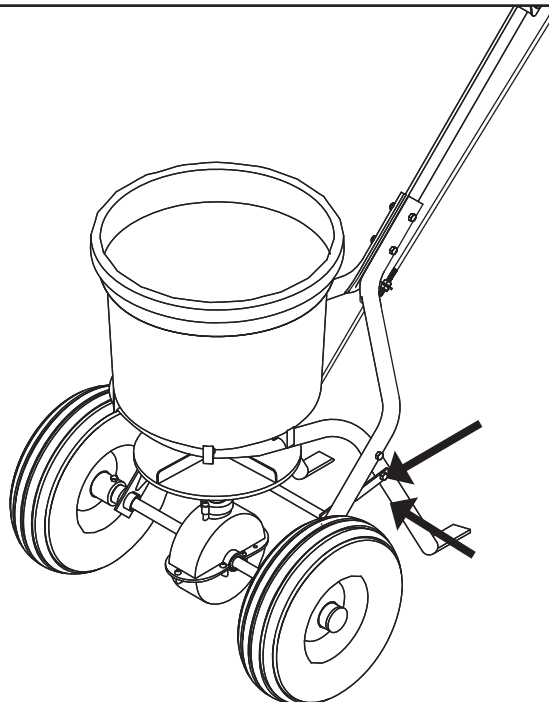


Figure 4

4. Tighten nuts and bolts on both sides of spreader at locations shown.



ASSEMBLY

Figure 5

5. Push the flow control handle downward to the fully closed position, close the shut off plate under the hopper, and hand tighten bottom nut on linkage rod until snug.

Then, hand tighten the top nut on linkage rod until snug.

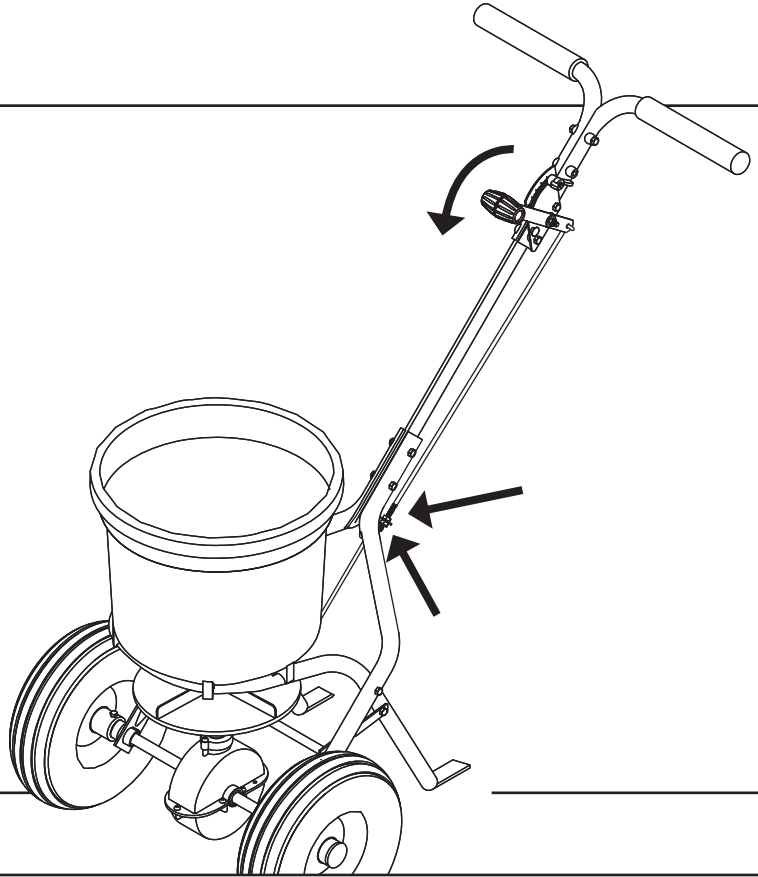
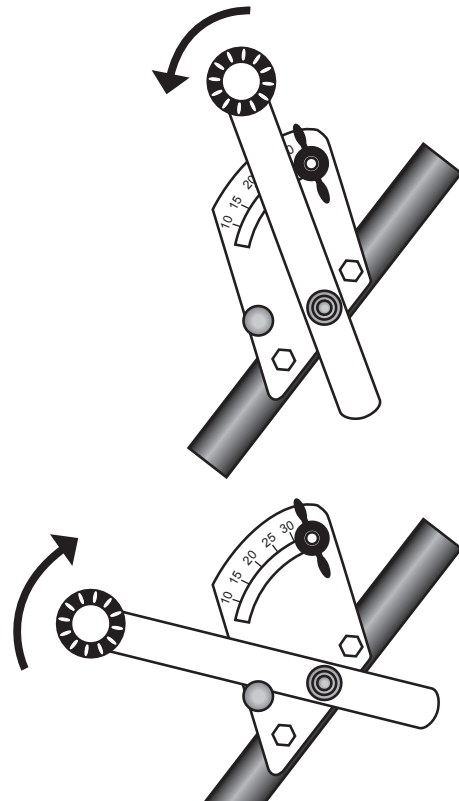


Figure 6

6. *NOTE: The edge of the wingnut is the marker, and not the center of wingnut. When the flow control handle is opened fully, the edge of the wingnut should be on the 30 mark.*

Set edge of wingnut on 30 mark and tighten.

Move flow control handle upward and back downward, and verify the shut off plate under hopper opens and closes properly. If necessary, adjust linkage rod nuts and tighten hand tight.



ASSEMBLY

Figure 7

▲IMPORTANT AVOID DAMAGE!

Only use a wrench on the LOWER nut.

DO NOT use a wrench on the upper nut.

7. Once adjustment is complete, tighten lower nut on linkage rod with wrench.

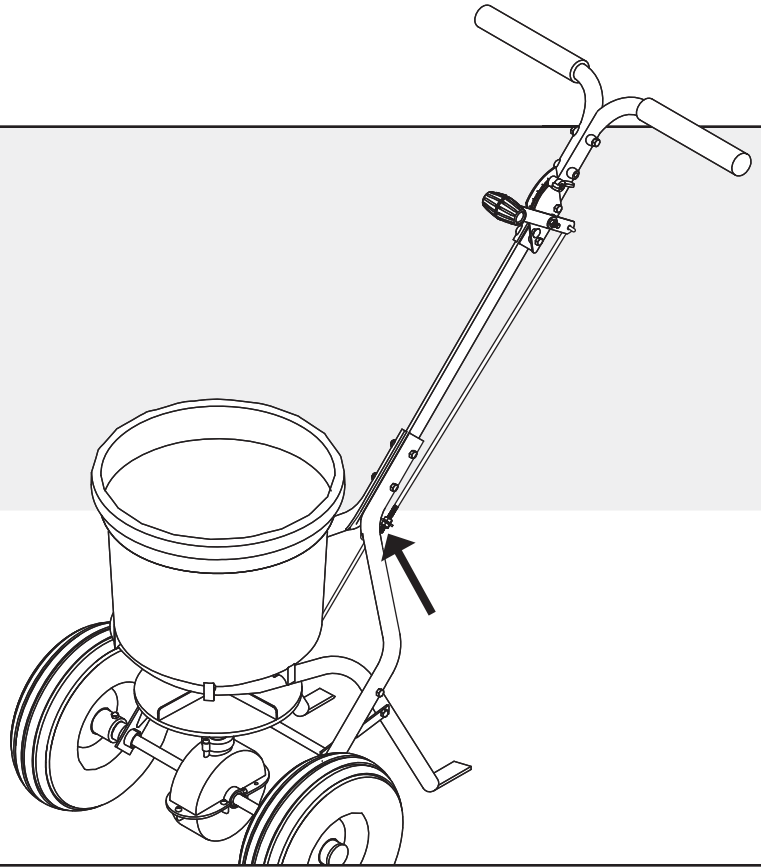
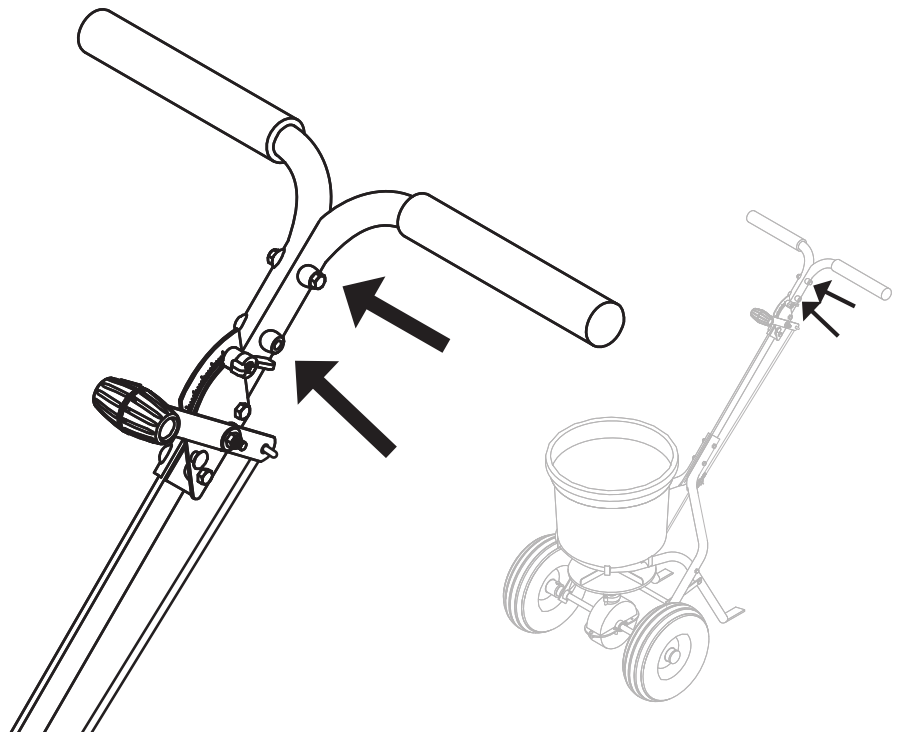


Figure 8

8. Handle can be lowered by removing bolts and nuts and moving handle assembly downward, using upper holes for bolts and nuts.



OPERATION

READ BEFORE USING:

Become familiar with the operation of the spreader BEFORE you put material in the hopper.

Practice walking with the spreader, opening and closing the rate gate at the appropriate times.

Travel at a constant speed and operate the spreader lever position. *Remember: Open the rate gate after the spreader is in motion at operating speed (about 3 mph, or at a brisk walking pace).*

Close the rate gate while spreader is still at operational speed.

FLOW CONTROL SETTING INFORMATION

The flow control lever operates the control plate. The control lever plate is marked 0-30. The position selected determines the amount of material to be broadcast. The higher the number, the heavier the application of the material. This allows for accurate control of the spreading rate.

The fan speed and the spread width are controlled by the speed at which you operate the spreader. The spread width also depends on the volume/density, and the particle size of the material.

The spread thins or feathers at the outer edges, eliminating sharp, "Edge Of Spread" lines which cause stripes and streaks. Extra coverage can be given under trees and other heavy feeding areas without showing "Edge Of Spread" lines.

Gaps and double overlaps are less likely. Small errors in travel are forgiven and do not show.

FILLING THE SPREADER

AVOID INJURY!

▲WARNING

Chemicals can be dangerous.

Avoid injury to operator or bystanders:

- Read chemical container label for handling instructions. A Material Safety Data Sheet (MSDS) should be supplied by the chemical dealer and provides proper safety information.
- Wear proper clothing and safety equipment while handling or applying chemicals.
- Prohibit all smoking, drinking, and eating around chemicals.
- When spreading products containing herbicides, exercise extreme caution with respect to careless spreading and to wind-drift. CONTACT OF SOME PRODUCTS ON SOME PLANTS CAN BE FATAL.

OPERATING TIPS

- Push flow control lever down towards the hopper to close the rate gate.
- Fill the spreader on a flat, level surface only. Fill on sidewalk, driveway, cardboard, etc. to avoid material loss.
- DO NOT overload with more than the maximum capacity of 50 lbs.
- DO NOT use on windy days.
- When filling hopper with material, always use screen to help break up clumps.
- Keep spinner blade clean. Excess material build-up can cause an uneven spread pattern.
- Keep the impeller level when spreading.

SPREADING MATERIAL

Determine setting required for the product you are spreading (See Application Rate Chart). If a setting is not found, use a similar size/weight material. Determine a flow control setting on the low side. If the setting proves to be too low, cover the area more than one time. A higher setting can be used when a proven setting is established. Generic Grass Seed and Fertilizer Settings are shown at the end of the list.

Remember: Published flow control settings are approximate only. The operation of the spreader, the condition of the material (damp or dry or over-pulverized) and weather conditions, are all contributing factors. For these reasons, it is often a good idea to spread the area 2 times - or one-half rate - in cross directions. One-half rate settings are highly recommended under damp and humid conditions.

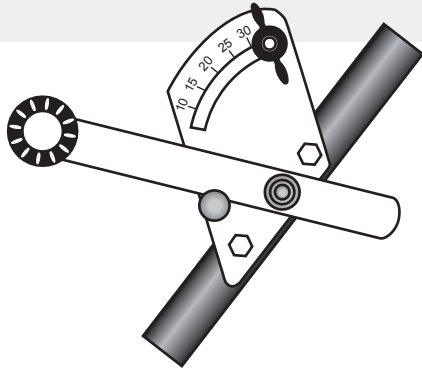
ROTARY AGITATOR

Use the rotary agitator only if needed. *Free-flowing, lump-free materials will not require the agitator. The rotary agitator is easily installed or removed.*

Never leave fertilizer or other material in the hopper. It can draw moisture, form clumps, and cause unnecessary rusting or jamming of controls and other parts. Ice melt residue is especially corrosive. Clean and oil spreader immediately after each use.

OPERATION

READ BEFORE USING:

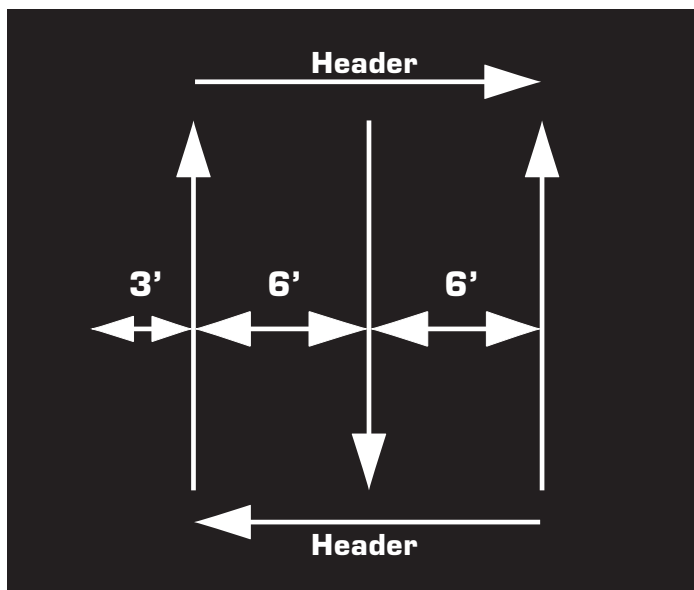


NOTE: When determining required setting, the edge of the wingnut is the marker, and not the center of wingnut. When the flow control handle is opened fully, the edge of the wingnut should be on the 30 mark.

IMPORTANT: REMEMBER TO START AND STOP THE SPREAD WHILE MOVING. Do not open the flow control lever while stopped or material will simply run onto the ground without being spread.

HEADER STRIPS

Spread header strips at each end of area. This allows a turn-around area to align spreader for next pass. Then start on the edge of the area to be spread. Spread until you hit the header area. Turn the flow control handle to off while still moving. Make your turn and start down the next row. Turn the flow control handle back on as you hit the edge of your header area. Turn the flow control handle on while moving.



SPREADING ICE MELT

- Remove screen from hopper to prevent damage.
- Start with flow control setting at 20 and make a trial pass. Adjust as needed to increase or decrease coverage.
- When complete be sure to thoroughly clean spreader as ice melt can be highly corrosive.
- Re-install screen when complete.

CALIBRATING SHUT OFF PLATE

See Figure 6 and Figure 7 on pages 8 - 9.

MAINTENANCE

- To ensure years of trouble-free service, clean the spreader thoroughly after each use. Move flow control handle as you rinse to avoid build up of material.
- For rust on frame parts, sand lightly and paint with enamel.
- Periodically lubricate all bearing surfaces.
- Never allow material to remain in hopper for extended periods of time.
- Periodically check all fasteners for tightness.

TROUBLESHOOTING

Flow control handle is hard to actuate or will not move: Check for buildup of material between bottom of hopper and shut off plate. Clean as needed.

SERVICE

If you have installation questions, are missing parts or need replacement parts, don't go back to the store! Please find your product serial number and model number, then contact our Customer Service department:

In North America and Canada
call Toll-Free: **877-728-8224**

Chat online: **www.brinly.com**

Email: **customerservice@brinly.com**

Additional info and videos are available on our website: brinly.com

APPLICATION RATE CHART

Media	lbs / 1000 square feet	Flow Control Setting at 3MPH
-------	------------------------	------------------------------

All American

All Purpose Fertilizer 10-10-10.	10	16.0
----------------------------------	----	------

Bayer

Season Long Grub Control	3.8	15.0
Season Long Grub Control	2.9	13.5
Complete Insect Killer	3	13.5
Complete Insect Killer	2	12.0
Power Force Multi-Insect Killer	3	12.0
Power Force Multi-Insect Killer	2	11.0
Grub Control	3	12.0
Grub Control	2	12.0
Lawn Fertilizer Plus Weed Control II 30-3-4	3.2	13.5
Season Long Grub Control	3.8	13.5
Season Long Grub Control	2.9	12.0
Lawn Starter Fertilizer 20-27-5	3.6	13.5
Lawn Fertilizer Plus Crabgrass Preventer 30-3-4	3.2	13.5

Eliminator

Ant, Flea, and Tick Killer Granules	3	13.5
	2.5	12.0
	2	12.0
5% Diazinon Insect Killer Granules	2	13.5

Howard Johnsons

All-purpose Fertilizer 8-8-8	7	15.0
All-purpose Fertilizer 10-10-10	7	15.0
All-purpose Fertilizer 12-12-12	7	15.0
Ironite 1-0-0	5	13.5

Klay

Soft Pelletized Gypsum Soil Conditioner	4	13.5
Soft Pelletized Gypsum Soil Conditioner	3	12.0
Soft Pelletized Gypsum Soil Conditioner	2	12.0

Media	lbs / 1000 square feet	Flow Control Setting at 3MPH
-------	------------------------	------------------------------

Lesco

46-0-0	2.2	15.5
39-0-0	2.6	15.5
34-3-11	2.9	16.0
32-3-8	3.1	16.0
30-3-7	3.3	16.0
28-5-12	3.6	16.0
24-5-11	4.2	16.0
19-19-19	5.3	16.0
18-24-12	4.2	15.0
24-2-11	4.2	15.0
26-2-11	3.8	15.5
24-0-11	4.2	16.0
18-0-18 Fall/Winter	4.2	16.0
17-17-17 All Purpose	5.9	16.0
16-4-8	6.3	16.0
15-5-10	6.7	16.0
15-0-15	6.7	16.0
Atrazine +17-2-11	6.0	16.0
Dimension .015% +19-3-6	3.5	16.0
Mach 2™ 1.33% +24-5-11	3.4	16.0
Merit® 0.2% +24-5-11	3.5	15.5
Momentum® + Fertilizer	3.6	15.0
PCNB 12.5% 10-0-20M 75%PPSCU	4.0	15.5
PRE-M® 1.5% + Fertilizer	2.3	15.0
PRE-M® 0.86% + Fertilizer	4.0	16.0
Talstar® 0.069% + Fertilizer	3.3	16.0
Weed & Feed +18-0-9	4.0	15.5
Weed & Feed +18-2-9	4.0	15.5
Dylox® 6.2*	3.0	16.0

Master Turf

Ultimate Tall Fescue Blend	8	17.0
Ultimate Tall Fescue Blend	4	15.0
Milogranite 6-2-0	8	17.0
Milogranite 6-2-0	16	20.0

Miracle-Gro

Lawn Fertilizer plus Weed Control 28-3-3	3.2	13.5
Starter Lawn Fertilizer 20-27-5	3.6	13.5
Starter Lawn Fertilizer 29-3-4	3.1	12.0

APPLICATION RATE CHART

Media	lbs / 1000 square feet	Flow Control Setting at 3MPH
-------	---------------------------------	---------------------------------------

Ortho

Lawn Insect Killer Granules	9.6	16.0
Lawn Insect Killer Granules	4.8	13.5
Lawn Insect Killer Granules	2.4	11.5
Lawn Insect Killer Granules	1.2	11.5
Max Insect Killer for Lawns	4	13.5
Max Insect Killer for Lawns	2	12.0
Max Insect Killer for Lawns	1	11.5

Parkers

Super Soilife Lawn & Garden Fertilizer 10-10-10	10	16.0
Super Soilife Lawn & Garden Fertilizer 16-4-8	6.5	13.5

Pennington

Lawn Starter Fertilizer 18-24-6	3.6	15.0
Master Turf High Traffic Lawn Seed Mixture	10	18.0
Master Turf High Traffic Lawn Seed Mixture	5	16.0
Master Turf Shady Lawn Seed Mixture	8	18.0
Master Turf Shady Lawn Seed Mixture	4	16.0
Master Turf Sun & Shade Lawn Seed Mixture	10	18.0
Master Turf Sun & Shade Lawn Seed Mixture	5	16.0
Lawn Food 27-4-6	3.6	16.5
Centipede Food 18-0-18	4.0	17.0
St. Augustine, Bahia & Bermuda Food 26-6-9	4.0	18.0
Fall Lawn Food 10-5-15	4.0	15.5
Crabgrass Preventer plus Fertilizer 5-10-25	4.0	16.5
Lawn Starter 18-24-6	3.6	16.5
Weed & Feed w/Atrazine 25-4-6	4.0	17.0
Fescue Food 28-5-10	4.0	16.5
Weed & Feed w/Triamine 25-4-6	3.6	16.5

Media	lbs / 1000 square feet	Flow Control Setting at 3MPH
-------	---------------------------------	---------------------------------------

Real-Kill

Multi-Purpose Lawn and Garden Insect Killer	2	12.0
Multi-Purpose Lawn and Garden Insect Killer	2.5	12.0

Rebel's

Supreme Blend Grass Seed for Sun & Shade	10	18.0
Supreme Blend Grass Seed for Sun & Shade	5	16.0

Ringer

Lawn Restore 10-2-6	10	18.0
---------------------	----	------

Sam's Choice

Crabgrass Preventer 30-3-4	12.3	19.0
Crabgrass Preventer 30-3-4	8.1	16.0
Crabgrass Preventer 30-3-4	6	16.0
Crabgrass Preventer 30-3-4	5.4	15.0
Insect Control Plus Fertilizer 28-4-6	3	12.0
Lawn Food 29-3-4	3.2	13.5
Starter Fertilizer 20-27-5	6	16.0
Starter Fertilizer 20-27-5	3.6	13.5

Scotts

Classic Grass Seed Fall Grass Seed Mix	4	16.0
Classic Grass Seed Fall Grass Seed Mix	2	13.5
Grubex	2.3	12.0
Grubex Season Long Grub Control	3.1	13.5
Grubex Season Long Grub Control	2.3	13.5
Lawn Fungus Control	1.4	12.0
Lawn Fungus Control	2.7	13.5
Pure Premium Kentucky Bluegrass Mix	2.2	13.5
Pure Premium Kentucky Bluegrass Mix	1.1	12.0
Pure Premium Sun & Shade Grass Seed Mixture	2.5	13.5
Pure Premium Sun & Shade Grass Seed Mixture	1.25	12.0
Starter Fertilizer 20-27-5	3.6	13.5

...continues on page 14

APPLICATION RATE CHART

Media	lbs / 1000 square feet	Flow Control Setting at 3MPH
-------	---------------------------------	---------------------------------------

Scotts, *continued*

Starter Fertilizer 20-27-5	5.9	13.5
Turf Builder 28-3-8	2.7	13.5
Turf Builder Lawn Fertilizer 29-3-4	3.1	12.0
Turf Builder with Summer Guard	2.7	13.5
Turf Builder Plus Weed Control	2.9	13.5
Winterizer 22-4-1	3.3	11.5
Turf Builder + Halt 25-3-3	3.6	15.0
Turf Builder Plus 2 Weed Control & Lawn Fertilizer 26-3-3	3.5	14.5
Turf Builder Lawn Fertilizer New Concentrated Nuggets 34-4-4	2.7	13.5
Starter Fertilizer 17-23-6	4.0	15.0
Lawn Disease Preventer	2.7	15.5
Lawn Weed Control 25-4-6	1.0	11.5
Turf Builder 28-3-3	3.2	17.0
	5.0	20.0
Weed & Feed 33-3-3	2.5	13.5
SCOTTS PRO TURF		
Fungicide VII 8-2-1	25.0	25.0
	12.7	27.0
	13.4	13.0
Turf Builder Lawn Fertilizer 29-3-4	8.2	15.5
Turf Starter w/ Poly S 16-26-12	4.1	18.0
Fertilizer + Fungicide VIII 23-3-3	1.6	13.5
HD Fertilizer + Iron 29-3-3	3.2	14.5
HD Fairway Fertilizer 32-3-10	3.1	16.5
Fertilizer with Minors 26-4-13	3.9	14.5
Hi K Greens Fertilizer 15-0-30	3.4	13.5
HD Starter (Small Granule) 19-26-5	3.5	14.5
Hi K Fertilizer 15-0-30	3.4	15.5
Moss Control 16-0-0	3.9	13.0
Iron-S 16-0-0	1.7	13.5
Super Greens Fertilizer 19-0-17	4.6	14.5

Media	lbs / 1000 square feet	Flow Control Setting at 3MPH
-------	---------------------------------	---------------------------------------

Scotts, *continued*

Turf Fertilizer + 2% Fe w/PolyS 25-3-10	3.3	16.5
ProTurf Fertilizer w/PolyS 34-3-6	2.8	16.5
NPK Turf Fert. w/PolyS 21-3-20	4.6	16.5
Fungicide X	4.9	15.5
FF-II 14-3-3	4.7	13.5
Systemic Fungicide	2.6	15.0
Fertilizer Plus Preemergent Weed Control 22-4-4	3.3	18.0
	3.8	18.5
	4.5	19.5
	4.9	20.0
Turf Fertilizer Plus Preemergent Weed Control 22-0-6	3.8	18.5
	4.2	19.5
	4.9	20.0
	5.8	21.0
	6.1	22.0
	8.7	27.0
	9.6	30.0
SCOTTS FOUR SEASON PROGRAM		
Step 1 - Crabgrass Preventer plus Fertilizer	3	15
Step 2 - Weed Control plus Fertilizer	2.5	15
Step 3 - Insect Control plus Fertilizer	3.1	16.5
Step 4 - Lawn Fertilizer	2.8	15.5

APPLICATION RATE CHART

Media	lbs / 1000 square feet	Flow Control Setting at 3MPH
-------	---------------------------------	---------------------------------------

Sevin

Lawn Insect Granules	4.6	13.5
Lawn Insect Granules	2.33	13.5
Lawn Insect Granules	2.25	13.5

Spectracide

Grub Stop	3	13.5
Triazicide Insect Killer Granules	3	11.5

Sta-Green

Lawn Fertilizer 29-2-5	3.6	13.5
Lawn Weed Control	2	12.0
200 Plus Weed & Feed 28-3-3	3.2	13.5
Starter Fertilizer 18-24-10	3.6	13.5
Weed & Feed 28-2-4	3.2	13.5
Sun & Shade Grass Seed Mixture	10	18.0
Sun & Shade Grass Seed Mixture	5	16.0

Vigoro

Insect Control Plus Fertilizer	3	11.5
Starter Fertilizer	3.6	13.5
Turf Fertilizer 29-3-4	3.2	13.5
Ultra Turf Winterizer 22-3-14	3	12.0
Weed and Feed	3.2	13.5

Wal-Mart

Gardens Kentucky Bluegrass Grass Seed	4	16.0
Gardens Kentucky Bluegrass Grass Seed	2	13.5
Gardens Kentucky 31 Tall Fescue	8	18.0
Gardens Kentucky 31 Tall Fescue	4	16.0
Weed & Feed 28-3-3	3.2	13.5

Media	lbs / 1000 square feet	Flow Control Setting at 3MPH
-------	---------------------------------	---------------------------------------

Generic Fertilizers (if you don't have any other method)	1	12
	2	13
	3	14
	4	15
	5	17
	6	18
	7	19
	8	20
	9	22
	10	24

Generic Grass Seed (if you don't have any other method)	2	18
	3	20
	4	22
	5	24



MANUFACTURER'S LIMITED WARRANTY FOR BRINLY PULL-BEHIND ACCESSORIES

The limited warranty set forth below is given by Brinly-Hardy Company with respect to new merchandise purchased and used in the United States, its possessions and territories.

Brinly-Hardy Company warrants the products listed below against defects in material and workmanship, and will at its option, repair or replace, free of charge, any part found to be defective in materials or workmanship. This limited warranty shall only apply if this product has been assembled, operated, and maintained in accordance with the Operator's manual furnished with the product, and has not been subject to misuse, abuse, commercial use, neglect, accident, improper maintenance, alteration, vandalism, theft, fire, water, or damage because of other peril or natural disaster.

Normal Wear Parts or components thereof are subject to separate terms as follows: All normal wear parts or component failures will be covered on the product for a period of 90 days.

Parts found to be defective within the warranty period will be replaced at our expense. Our obligation under this warranty is expressly limited to the replacement or repair, at our option, of parts found to be defective in material and workmanship.

HOW TO OBTAIN SERVICE: Warranty parts replacements are available, **ONLY WITH PROOF OF PURCHASE**, through our Customer Service Department. Call 877-728-8224.

This limited warranty does not provide coverage in the following cases:

- a) Routine maintenance items such as lubricants and filters.
- b) Normal deterioration of the exterior finish due to use or exposure.
- c) Transportation and/or labor charges.
- d) The warranty does not include commercial and/or rental use.

No implied warranty, including any implied warranty of merchantability of fitness for a particular purpose, applies after the applicable period of express written warranty above as to the part as identified below. No other express warranty whether written or oral, except as mentioned above, given by any person or entity, including a dealer or retailer, with respect to any product, shall bind Brinly-Hardy Co. During the period of the warranty, the exclusive remedy is repair or replacement of the product as set forth above.

The provisions as set forth in this warranty provide the sole and exclusive remedy arising from the sale. Brinly-Hardy Co. shall not be liable for incidental or consequential loss or damage including, without limitation, expenses incurred for substitute or replacement lawn care services or for rental expenses to temporarily replace a warranted product.

Some states do not allow the exclusion or limitation of incidental or consequential damages, or limitations on how long an implied warranty lasts, so the above exclusions or limitations may not apply to you.

During the warranty period, the exclusive remedy is replacement of the part. In no event shall recovery of any kind be greater than the amount of the purchase price of the product sold. Alteration of safety features of the product shall void this warranty. You assume the risk and liability for loss, damage, or injury to you and your property and/or to others and their property arising out of the misuse or inability to use this product.

This limited warranty shall not extend to anyone other than the original purchaser or to the person for whom it was purchased as a gift.

HOW STATE LAW RELATES TO THIS WARRANTY:

This limited warranty gives you specific legal rights, and you may also have other rights which vary from state to state.

IMPORTANT: The Warranty period stated below begins with the **PROOF OF PURCHASE**. Without the proof of purchase, the Warranty period begins from the date of manufacture determined by the serial number manufacturing date.

SPREADER WARRANTY PERIOD: The warranty period for this spreader is as follows: 1 year non-commercial use. Tires and wheels are normal wear items: 90 days.