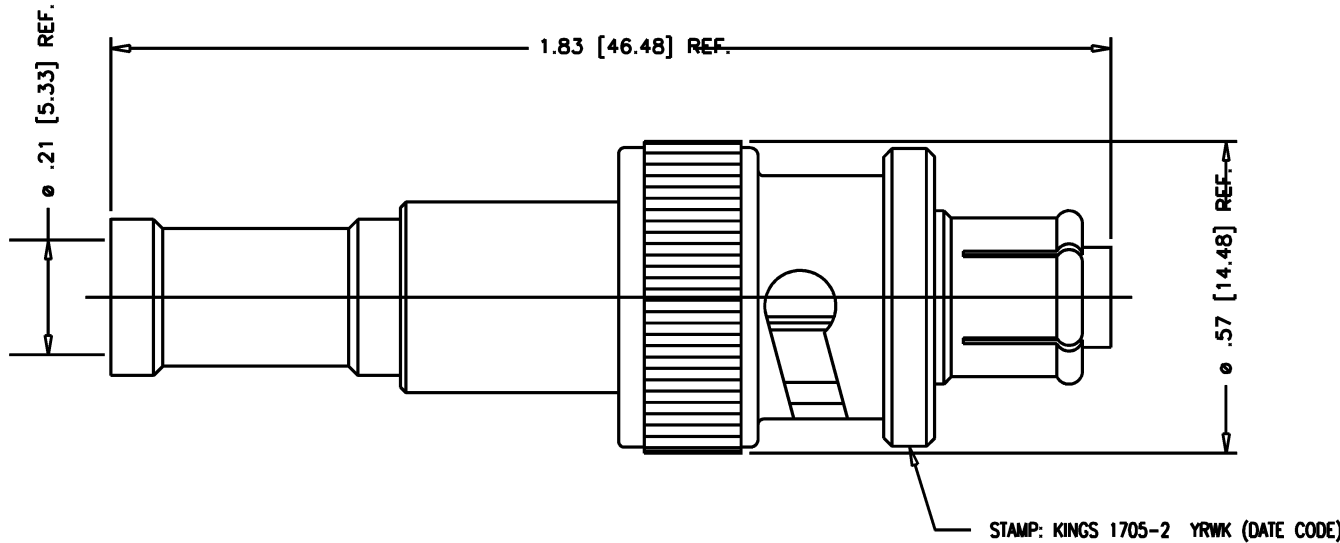


# GSD

1705-2



**NOTES:**

- FOR USE WITH RG-58, 58A, 58C, 141 & 141A/U CABLES.
- FOR CABLING INSTRUCTIONS SEE CP-441.
- FOR CRIMPING USE DIE KTH-2061.
- FOR CABLE TRIMMING USE KTJ-72 & KTD-136.
- INTERFACE PER MIL-STD-348, FIG. 314-2.
- MATERIALS:
  - INSULATOR: TEFLON, ASTM-D4894
  - GASKET: SIL. RUB., A-A-59588
  - K-GRIP SLEEVE: COM. BRONZE TUBE, ASTM-B135
  - SPRING WASHER & CONTACTS: BER. COP., ASTM-B196
  - ALL OTHER PARTS: BRASS, ASTM-B16
- FINISHES:
  - CENTER CONTACT: GOLD, ASTM-B488
  - SPRING WASHER: SILVER, ASTM-B700
  - ALL OTHER METAL PARTS: KINGS TARNISH RESISTANT NICKEL FINISH (TR-5)
- ELECTRICAL CHARACTERISTICS:
  - OPERATING VOLTAGE: 3500 VOLTS AC
  - 5000 VOLTS DC

**REVISIONS**

ISSUE	CHANGES
7	CN 39706 C REDRAWN DRK 11/17/06

SCALE 4:1	
APPROX SURFACE AREA	
USED ON	
REF:	
PLUG, SHV	
DRAWN DRK	DATE 11/17/06
DESIGN MJB	DATE 10/18/94
APPR.	DATE

**KINGS**  
ELECTRONICS CO., INC.  
ROCK HILL, SOUTH CAROLINA 29730

1705-2

# GSD