

ITEM# 84404

X-Leg Mixed Metal and Wood Laptop Computer Desk

Leick
Home
SINCE 1910

2219 S. 19th St.

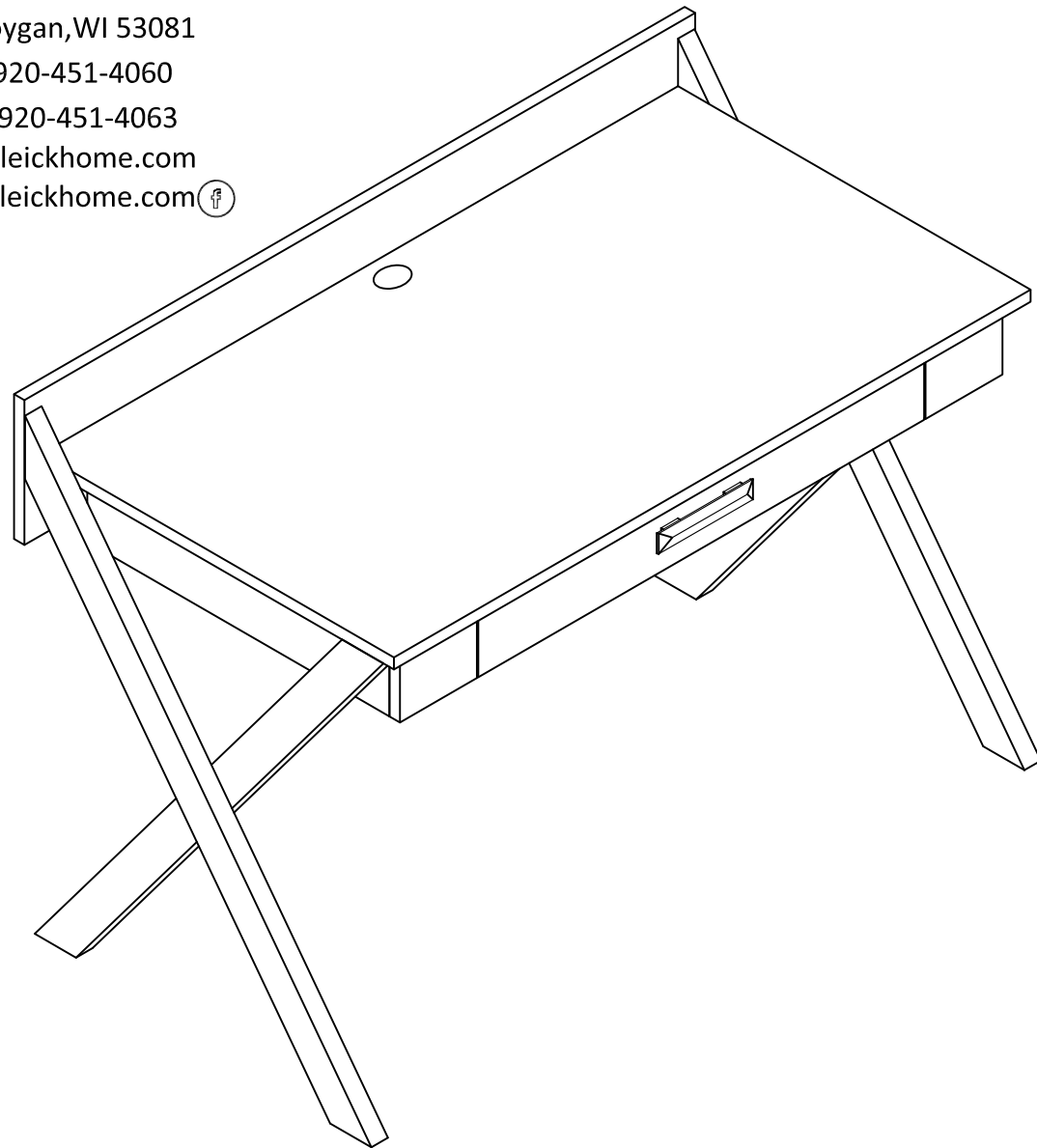
Sheboygan, WI 53081

Ph: 920-451-4060

Fax: 920-451-4063

info@leickhome.com

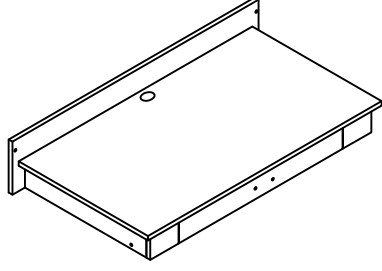
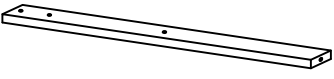
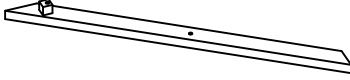
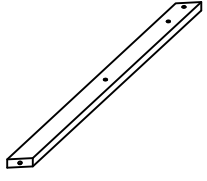
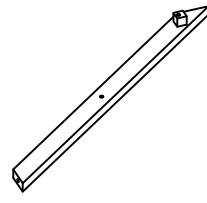
www.leickhome.com



Hardware List

Item	Illustration	Description	Quantity
1		Black Bolt 1/4" x 1-1/2"	8 PCS
2		Black Lock Washer	8 PCS
3		Black Washer 1/4" x 5/8"	8 PCS
4		Zinc Bolt 1/4" x 1-3/4"	2 PCS
5		Zinc Lock Washer	2 PCS
6		Allen Wrench	1 PC
7		Caps	2 PCS

Parts List

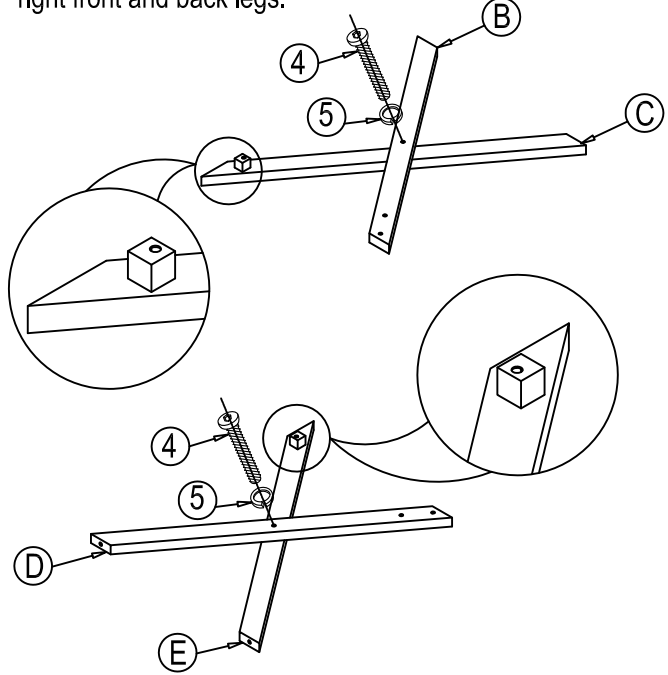
Item	Illustration	Description	Quantity
A		Top Assembly	1PC
B		Left Front Leg	1PC
C		Left Back Leg	1PC
D		Right Front Leg	1PC
E		Right Back Leg	1PC

Assembly Instructions

Two person assembly recommended.

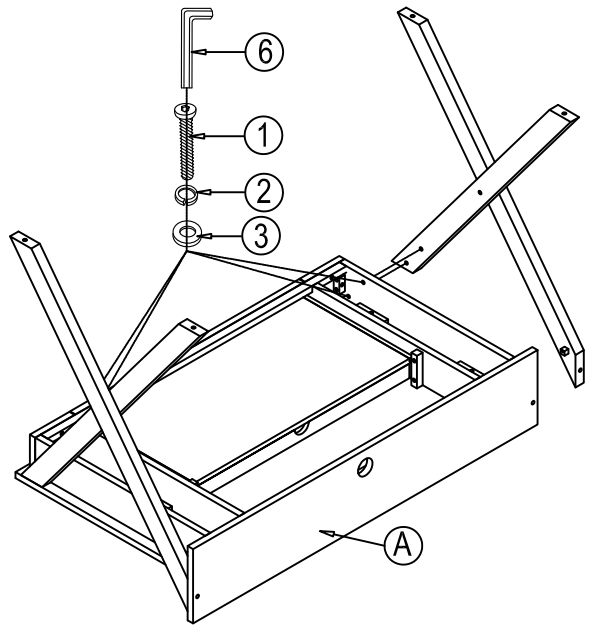
Step 1

Fasten the left front leg and the left back leg with Zinc bolts and lock washers, do not tighten. Do the same thing on the right front and back legs.



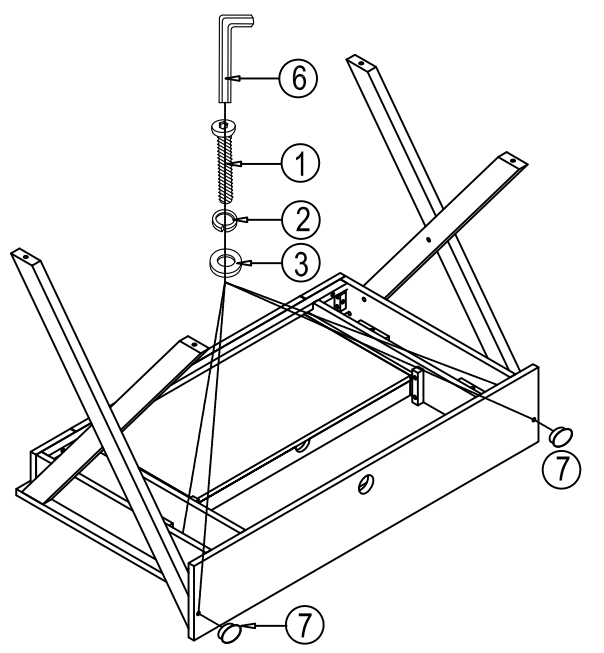
Step 2

Place the top assembly upside down on a soft surface. Fasten the top assembly and X legs with two front bolts on each side as per following sketch, do not tighten yet.



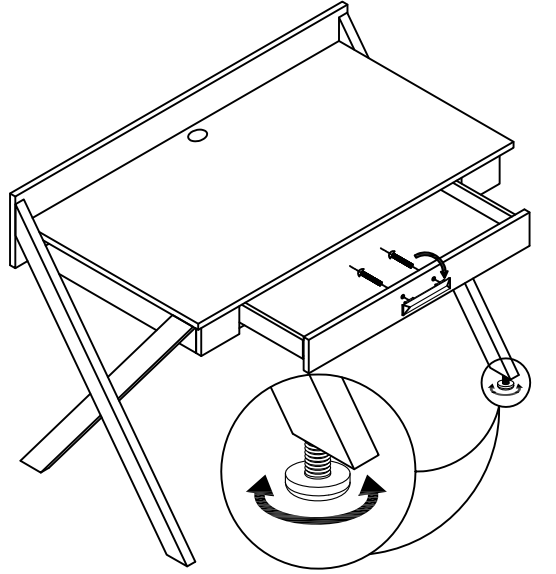
Step 3

Fasten the other four bolts on the back, check to ensure they are all properly aligned and tighten all bolts. Put two caps on the backboard to cover the bolt holes.



Step 4

Adjust levelers on bottom of legs. Reverse and fasten the drawer pull on outside of drawer front.



Wire management hole on back of desk: pull the disk out, run wires, and snap disk back in place.

