

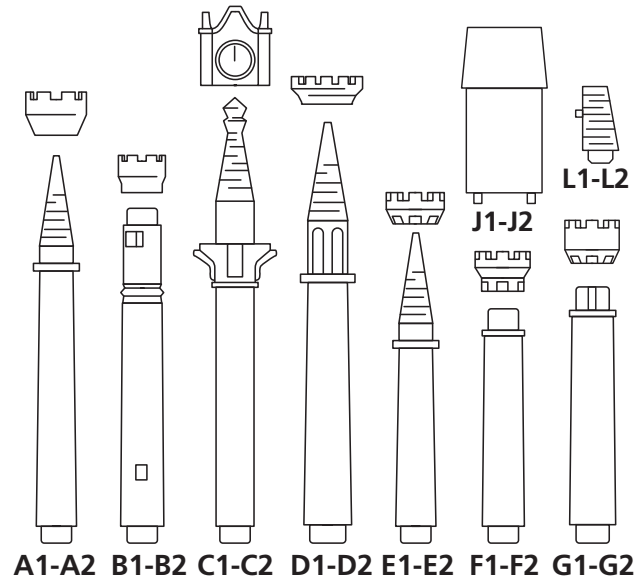
Item # 31041

**INSTRUCTIONS**

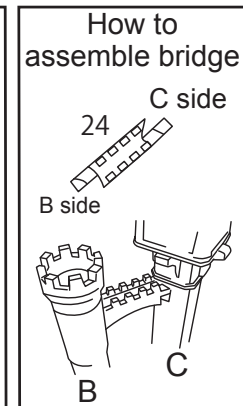
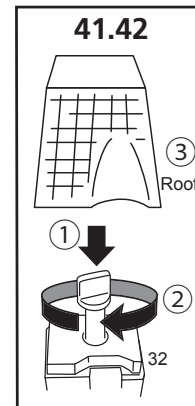
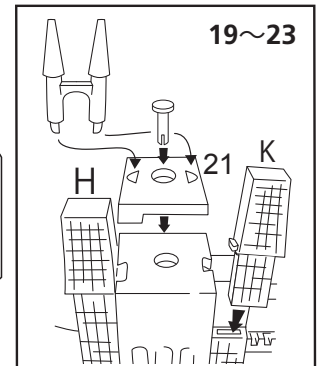
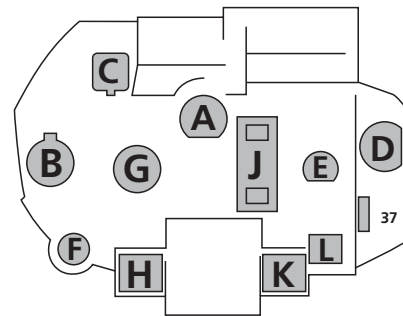
1. Please count and make sure all pieces are present before assembly.
2. The pole pieces are delicate. To prevent damage, do not use excessive force.
3. Assemble crystal puzzle by putting the puzzle pieces together in the order shown below.
4. Piece numbers are not necessarily in the order of assembly. Some pieces do not have numbers.
5. Missing a piece? Email [info@ugames.com](mailto:info@ugames.com) or call (415) 503-1600 with missing piece number.

Step	Piece No.	Step	Piece No.
1	Base	23	Gate
2	12	24	11
3	9	25	28
4	7	26	2
5	17	27	1
6	8	28	33
7	4	29	29
8	16	30	25
9	18	31	31
10	14	32	19
11	13	33	35(roof)
12	10	34	36(roof)
13	15	35	27
14	26	36	34
15	6	37	23
16	3	38	22
17	5	39	30
18	20	40	32
19	K1-K2	41	Base
20	H1-H2	42	Stink long
21	21	43	37
22	Stick short		

**HINTS**



Position of each piece



See our entire line of games and puzzles at:

