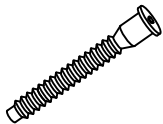







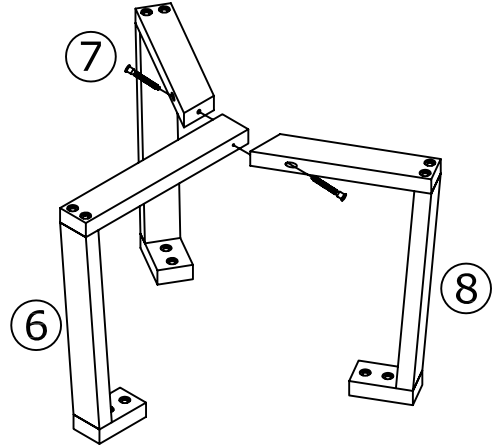
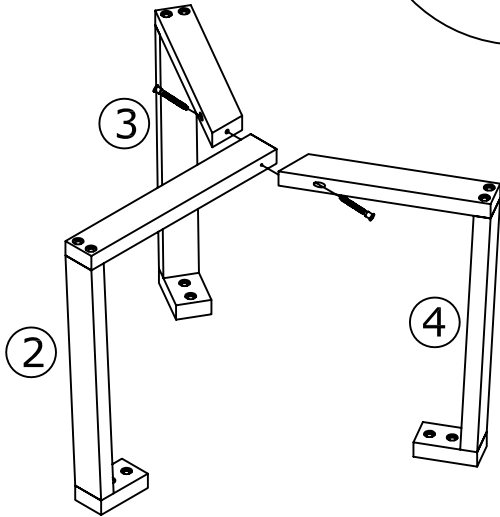
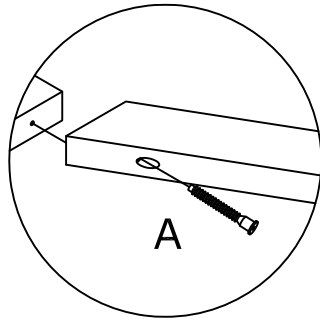






Ax4	Bx12	Cx12	Dx12	Ex1	Fx6
					

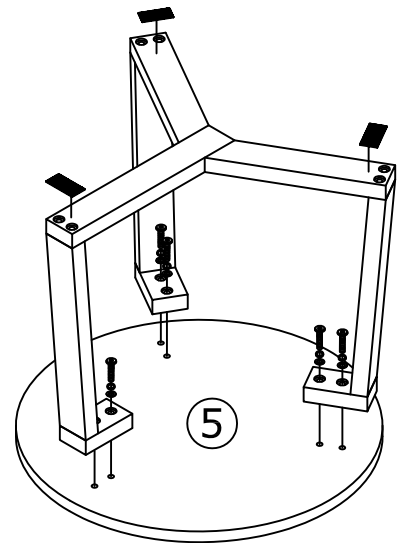
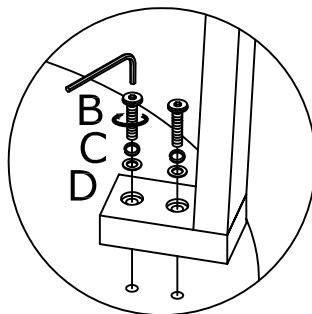
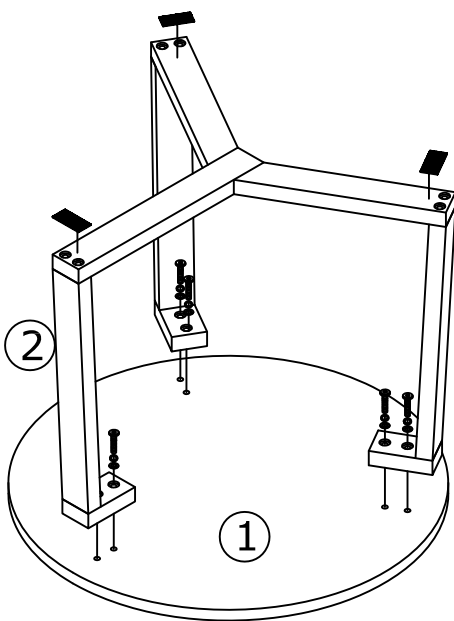
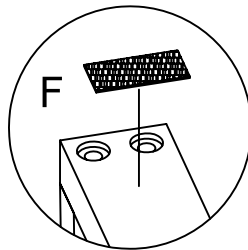
1

Ax4	
Ex1	



2

Bx12		Dx12	
Cx12		Fx6	



3

