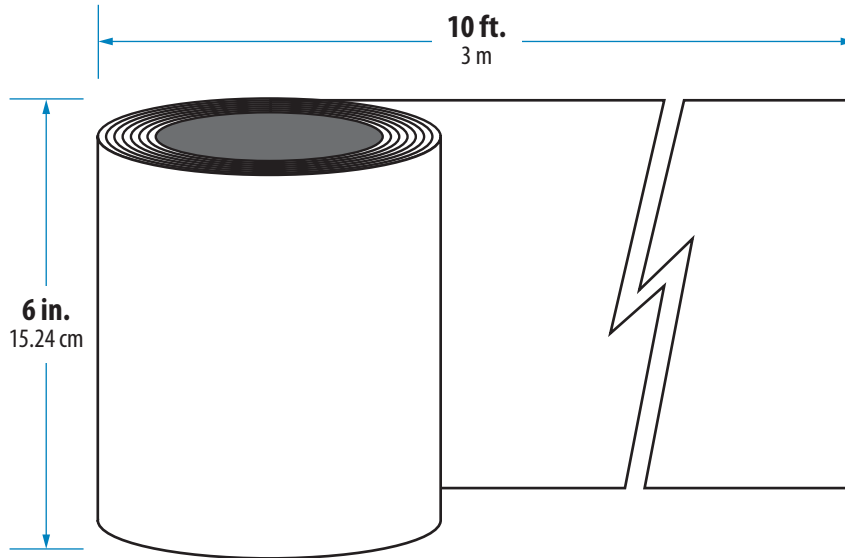


31 Gauge Galvanized Steel • 6 in. x 10 ft.



**Mill Finish**