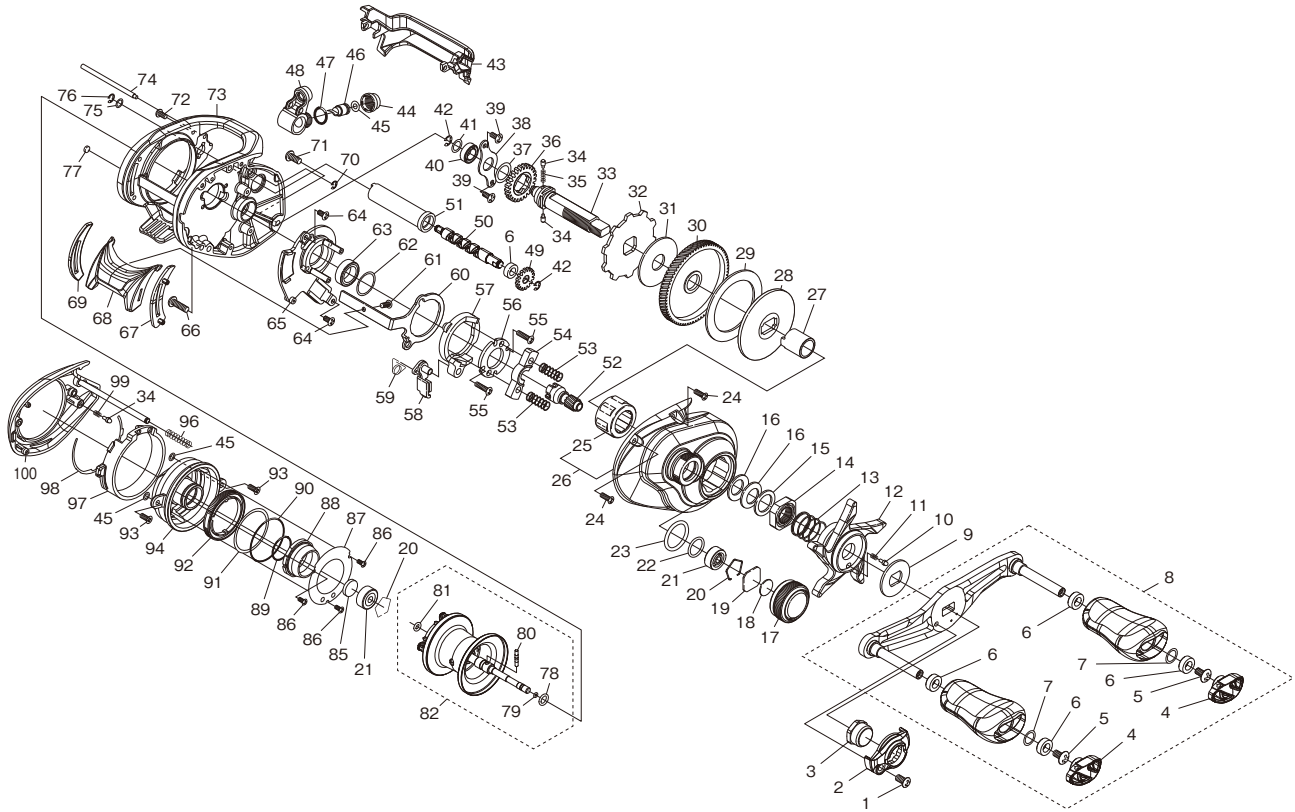


# SHIMANO

## SLX

## SLX70XGA



(51RL745A40X)

#	Part No.	Description	#	Part No.	Description	#	Part No.	Description
1	101VV	Screw	35	10JDY	Idle Gear Spring	69	100MW	Clutch Bar Guide A
2	10Q5T	Handle Nut Plate	36	101K8	Idle Gear A	70	105NB	E Lock
3	10E67	Handle Nut	37	108WU	O Ring	71	100UU	Screw
4	1027R	Handle Knob Seal	38	109T1	Drive Shaft Retainer	72	100U4	Screw
5	103E9	Screw	39	10E23	Screw	73	13ZY4	Frame
6	10PXZ	Bushing	40	105BL	Ball Bearing	74	100UT	Stabilizer Bar
7	104FH	Washer	41	10C47	Washer	75	10FJZ	Washer
8	13ZYD	Handle Assembly	42	105NK	E Lock	76	105NC	E Lock
9	10J22	Star Drag Click Plate	43	13GG8	Level Wind Protector	77	108PY	Washer
10	10MFC	Click Pin	44	10FJB	Pawl Cap	78	10TM7	O Ring
11	10BT2	Click Spring	45	10CFU	Washer	79	100BH	O Ring
12	100HF	Star Drag	46	10BHQ	Worm Shaft Pin	80	10P67	Spool Clutch Pin
13	10A70	Star Drag Spring	47	108WQ	O Ring	81	10EZ7	O Ring
14	10A3T	Star Drag Nut	48	10DUG	Line Guide Assembly	82	13ZYE	Spool Assembly
15	10J1N	Star Drag Spacer	49	10SRL	Idle Gear C	85	10EX5	Bearing Spacer
16	109F5	Washer	50	13ZY5	Worm Shaft	86	10E7R	Screw
17	10050	Cast Control Cap	51	100UF	Level Wind Guard	87	100HC	Brake Dial Retainer Plate
18	10896	Cast Control Spacer B	52	100U7	Pinion Gear	88	10E6U	Brake Ring Gear
19	1085F	Cast Control Spacer A	53	100U9	Yoke Spring	89	10LA8	O Ring
20	1054D	Bearing Retainer	54	100UH	Yoke	90	10CG1	O Ring
21	105C0	Ball Bearing	55	10LV0	Screw	91	10RHW	Washer
22	101GT	O Ring	56	100US	Clutch Cam Retainer	92	1000Y	Brake Dial
23	10R22	O Ring	57	100UK	Clutch Cam	93	100UL	Screw
24	10LCY	Screw	58	10MME	Clutch Pawl Assembly	94	145GA	Dial Case
25	10F5C	Roller Clutch Bearing	59	10R1H	Clutch Pawl Spring	96	10KNH	Spring
26	145G7	A Side Plate Assembly	60	100UG	Clutch Plate	97	100NE	B Side Plate Cam Lever
27	100UC	Roller Clutch Inner Tube	61	10LF4	Screw	98	100ND	Washer
28	10D3H	Key Washer	62	10190	Washer	99	10GQZ	Click Spring
29	106XT	Drag Washer	63	10EX6	Ball Bearing	100	145GB	B Side Plate Assembly
30	10R0D	Drive Gear	64	10LCT	Screw			
31	10CHF	Drag Washer	65	10DUK	Clutch Guard Assembly			
32	10D73	Anti-Reverse Ratchet	66	100UV	Screw			
33	100UP	Drive Shaft	67	100MH	Clutch Bar Guide B			
34	10HJF	Idle Gear Pin	68	100ML	Clutch Button			

Please note that the number of adjusting washers may not be the same as shown in the exploded views.  
(Adjustment will vary with each individual product.)

(240205)\_002