

Storage Island



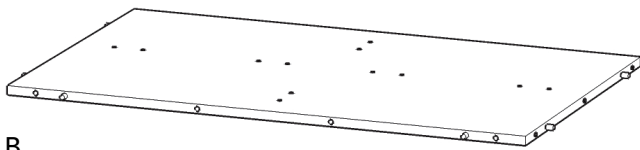
IMPORTANT

Carefully remove all the parts from the carton and place them individually on a soft cloth to prevent scratches or other damage.

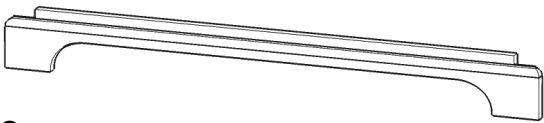
Carefully and strictly follow these assembly instructions to ensure a completed product as designed.

Do not use power tools above 8 volts to assemble.

Part List



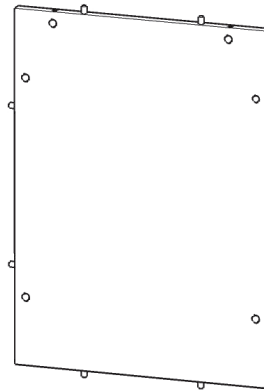
B.
Bottom
1 pc.



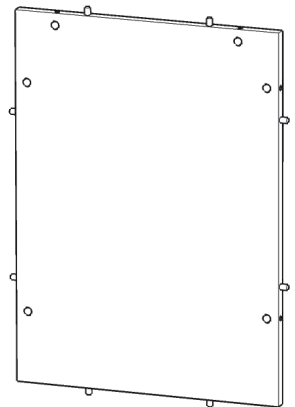
C.
Plinth
2 pcs.



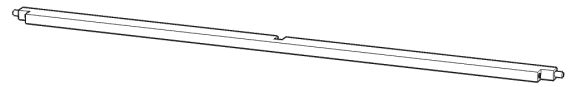
F.
Shelf
6 pcs.



D.
Back Panel
1 pc.



E.
Back Panel
1 pc.



G.
Front Rail
4 pcs.

Hardware List



Cam Lock
40 pcs. (+6 extra)

M6x35 Bolt
6 pcs. (+1 extra)



Adjustable Pin
24 pcs. (+1 extra)



M3x25 Wood Screw for Side Panels
4 pcs. (+1 extra)



M4x28 Machine Screw
20 pcs.



Cam Lock Screw
40 pcs. (+2 extra)



Flat Washer
6 pcs. (+1 extra)



M3.5x16 Wood Screw (short) for Drawer Bottom
60 pcs. (+1 extra)



M3.5x25 Wood Screw (long) for Drawer Side
80 pcs. (+1 extra)



Knob (small)
8 pcs.



Knob (large)
12 pcs.

Cartons 88 5530 941, 943 are also needed for assembly.

Tool(s) required for assembly: Phillips screwdriver, Level

Home Styles Customer Service: www.homestyles-furniture.com,
servicedesk@homestyles-furniture.com, 888-680-7460, 877-831-0319

Assembly Instructions 2/7

IMPORTANT

- Use a soft cloth between these parts and the floor.
- Do not use power tools above 8 volts to assemble.
- Do not tighten all the screws until each part is properly assembled.
- The unit must be level to work properly. Use the included adjustable levelers to level.

STEP 1

Insert Cam Lock Screws into pre-drilled holes of Top (A), Plinths (C), Side Panels (H), (I) and Middle Panel (J). (See Figure 1)

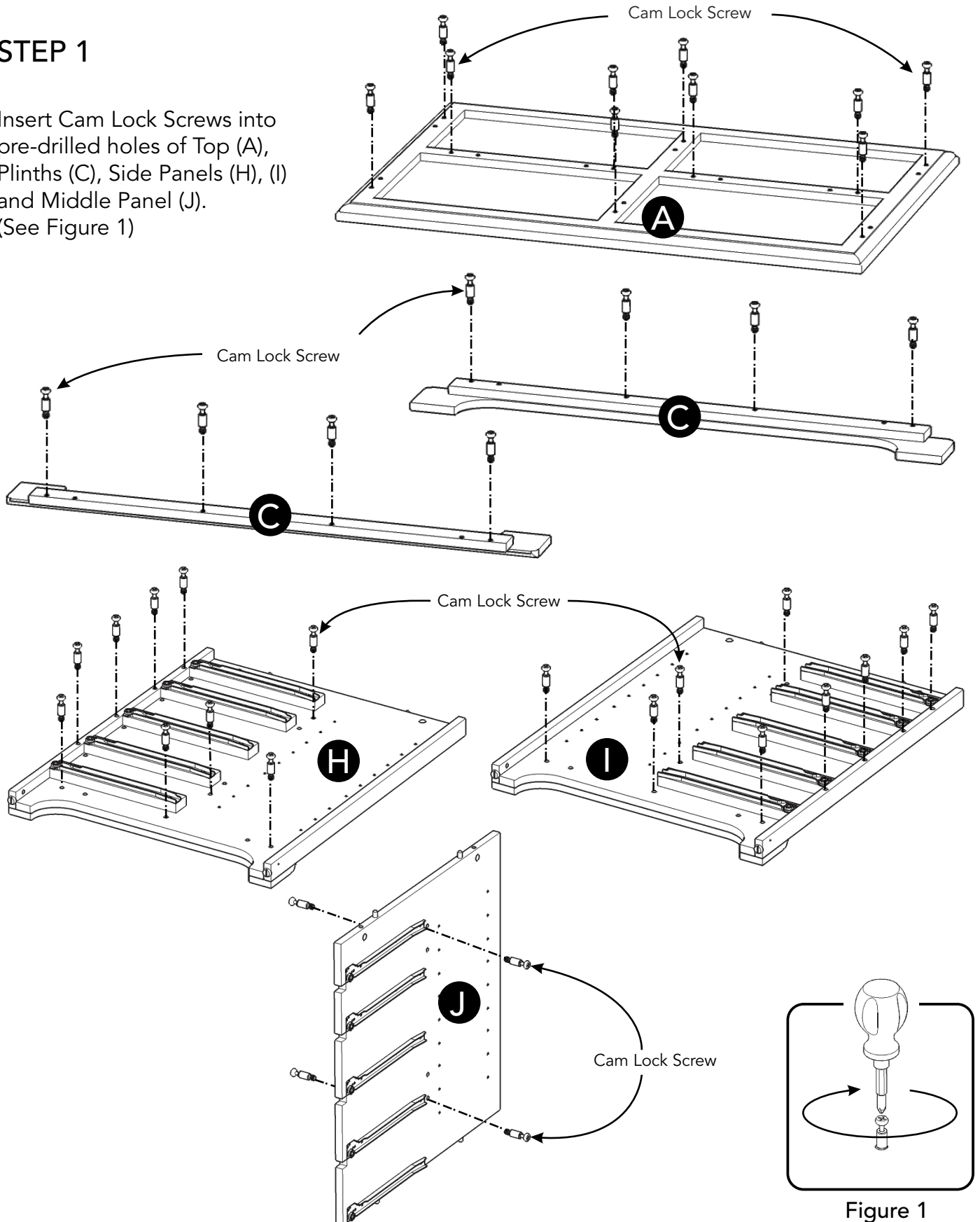


Figure 1

Assembly Instructions 3/7

STEP 2

Attach Back Panels (D) and (E) to Middle Panel (J) with Cam Locks.
(See Figure 2)

Attach Front Rails (G) to unit.

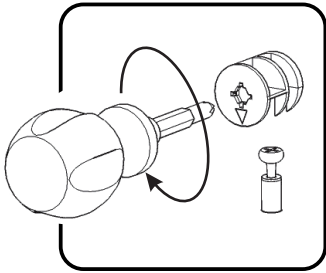
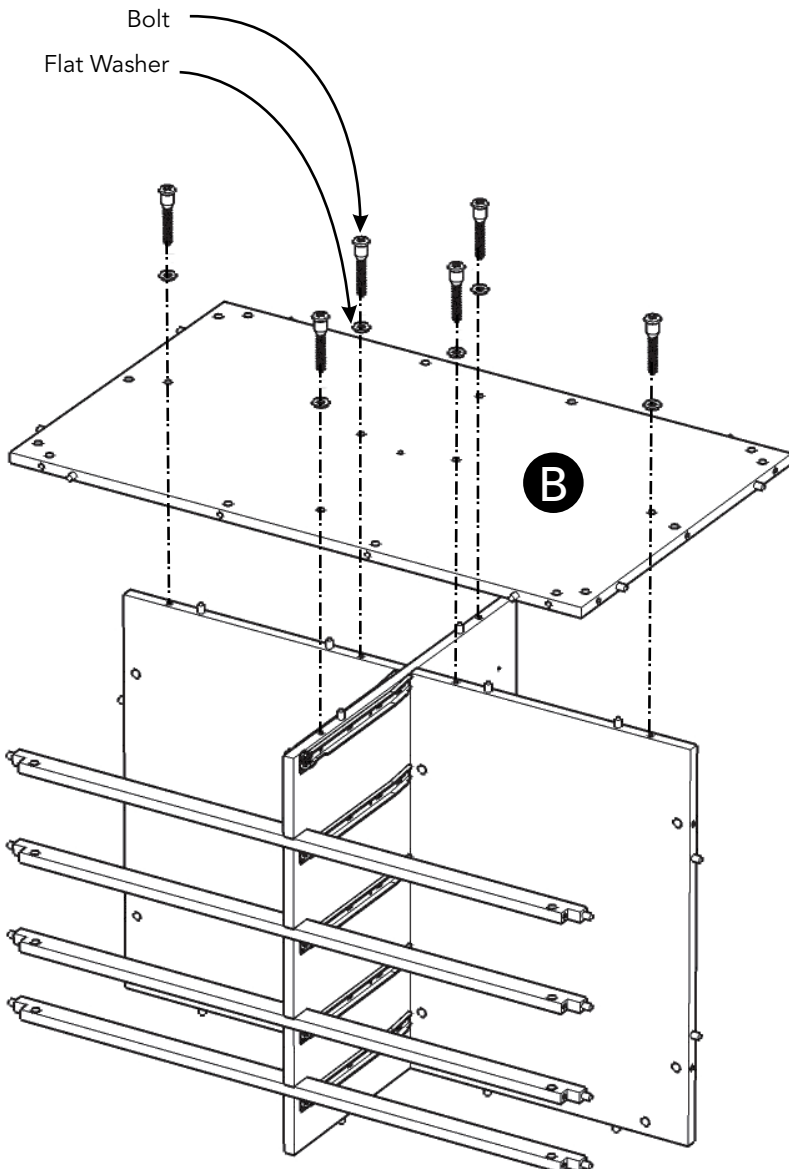
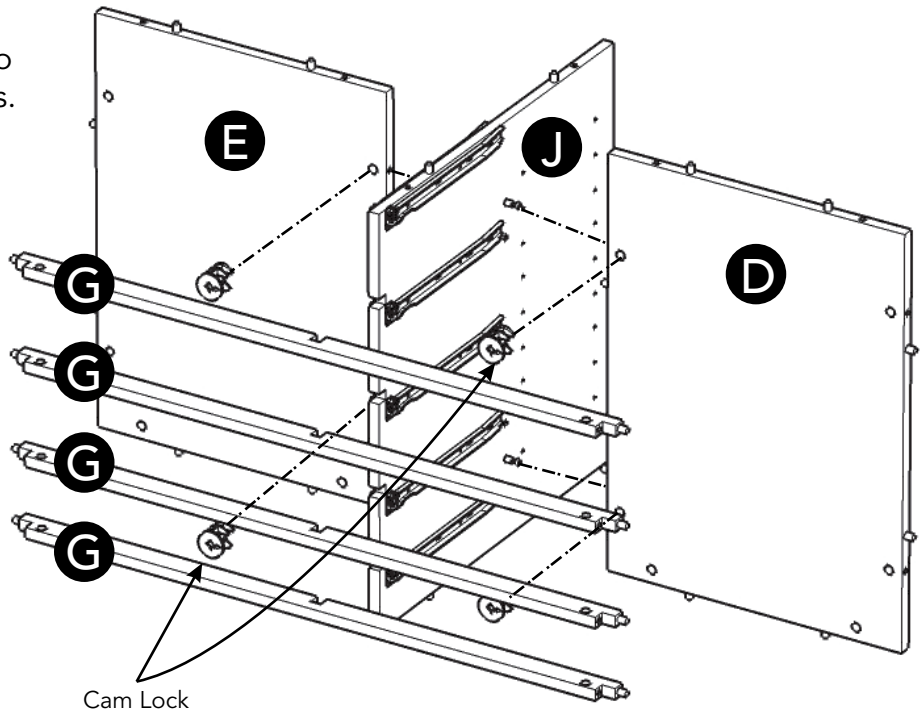


Figure 2



STEP 3

Attach Bottom (B) to unit
with Flat Washers and Bolts.
(See Figure 3)

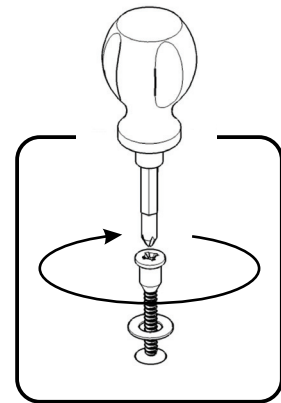
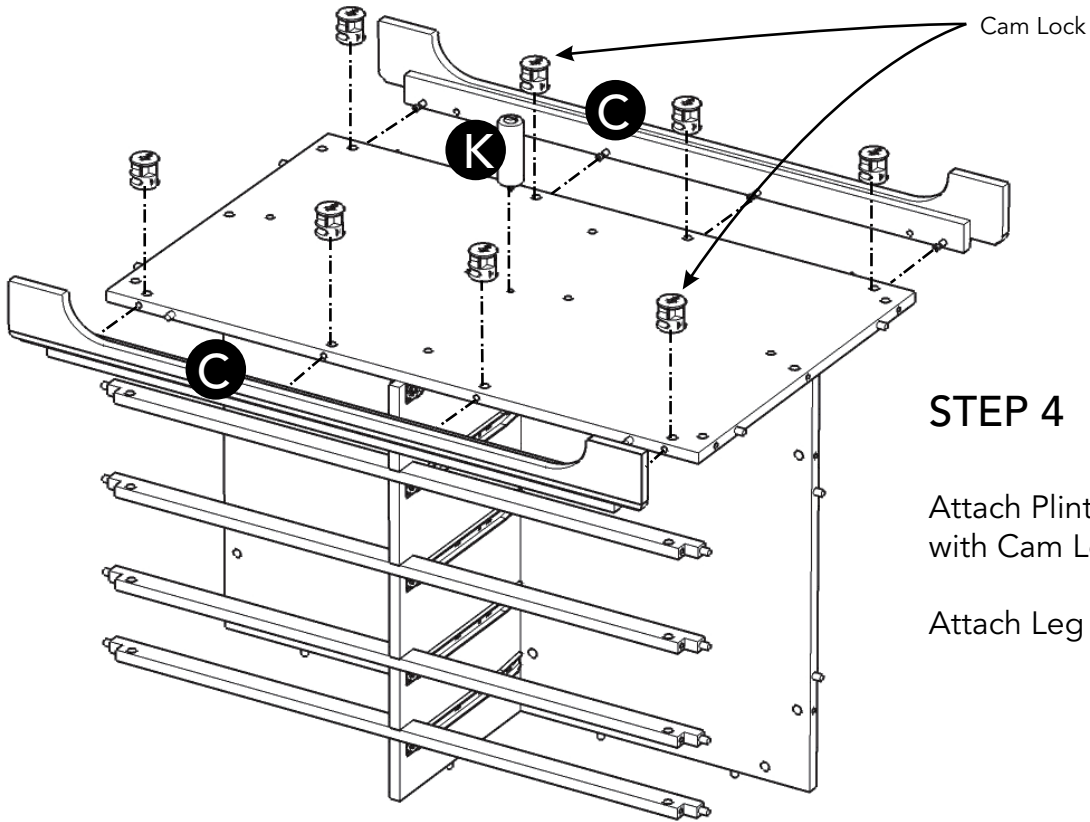


Figure 3

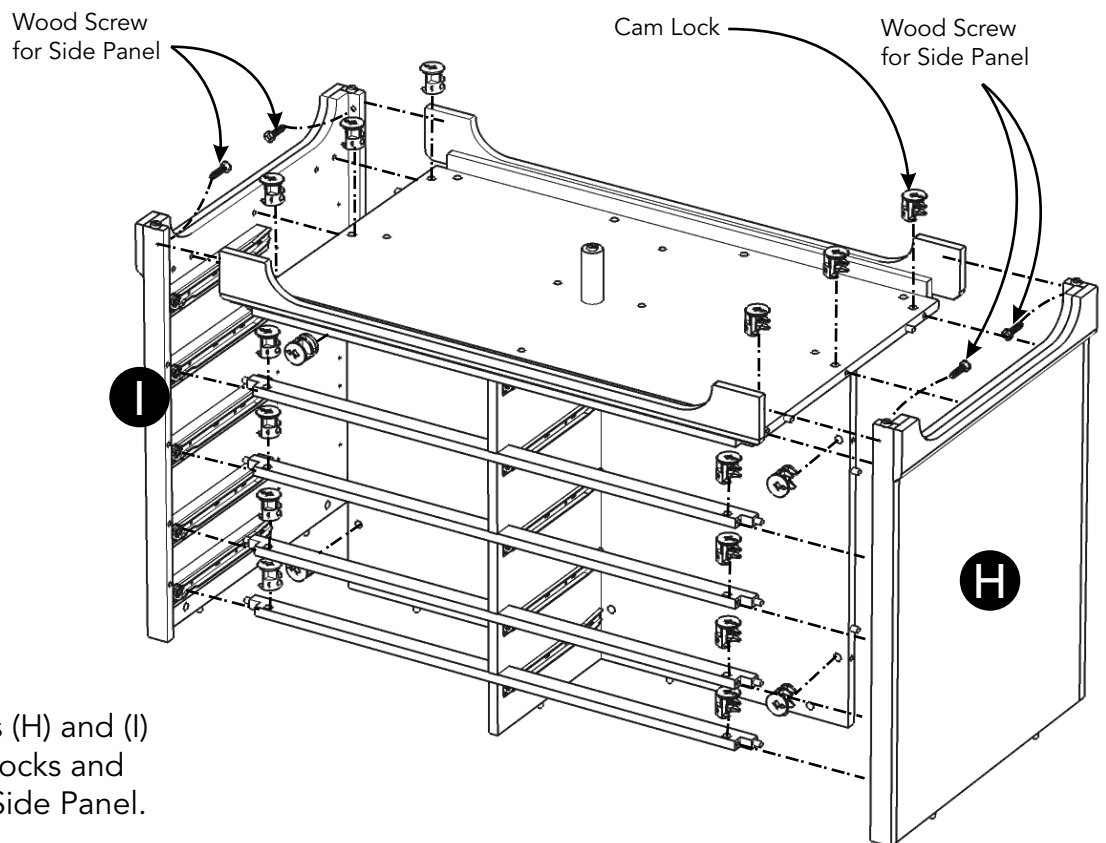
Assembly Instructions 4/7



STEP 4

Attach Plinths (C) to unit with Cam Locks.

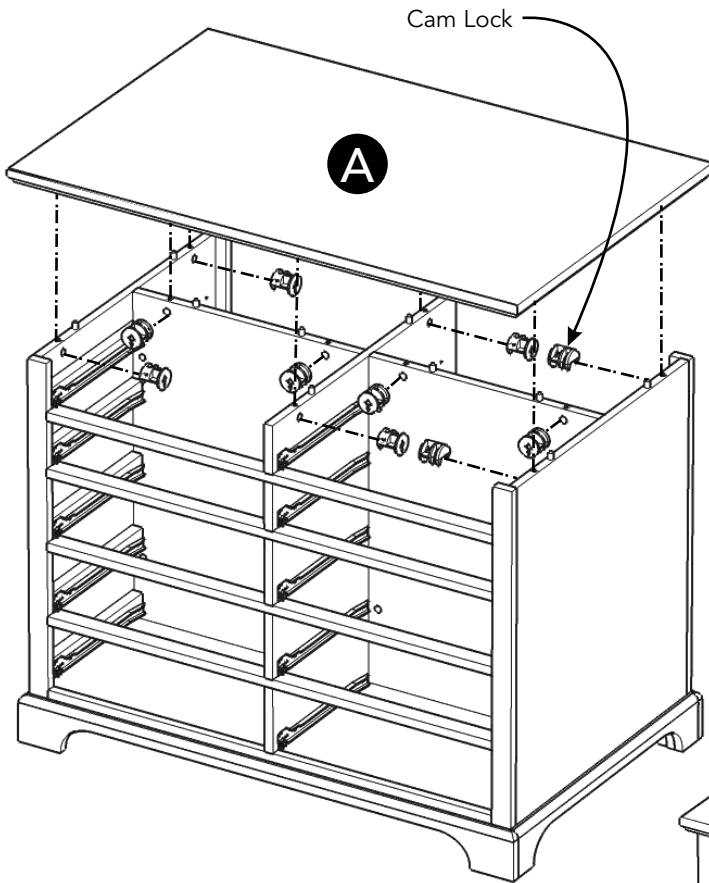
Attach Leg Support (K) to unit.



STEP 5

Attach Side Panels (H) and (I) to unit with Cam Locks and Wood Screws for Side Panel.

Assembly Instructions 5/7



STEP 6

Attach Top (A) to unit with Cam Locks.

Level unit by adjusting the adjustable levelers on the bottom of unit. (See Figure 4)

Note: Unit must be level to work properly.

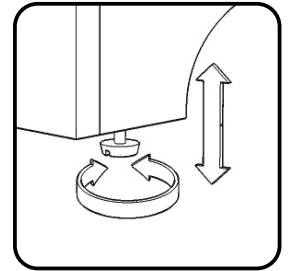
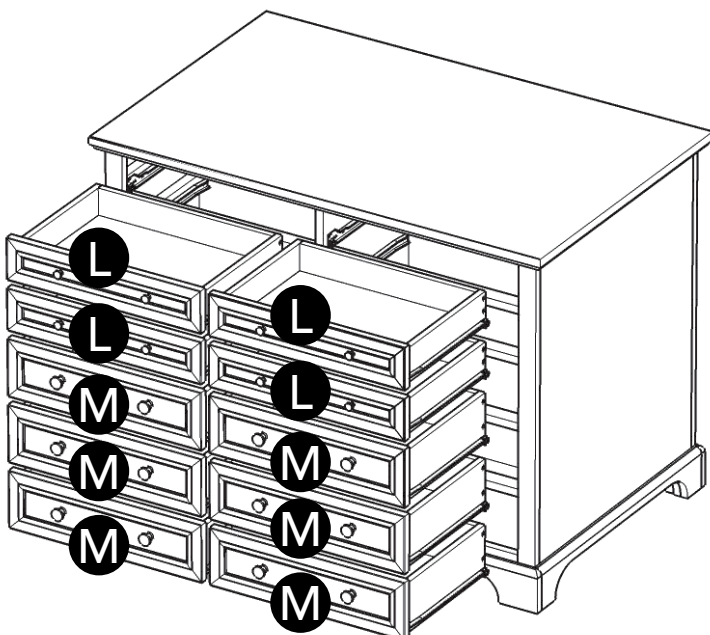
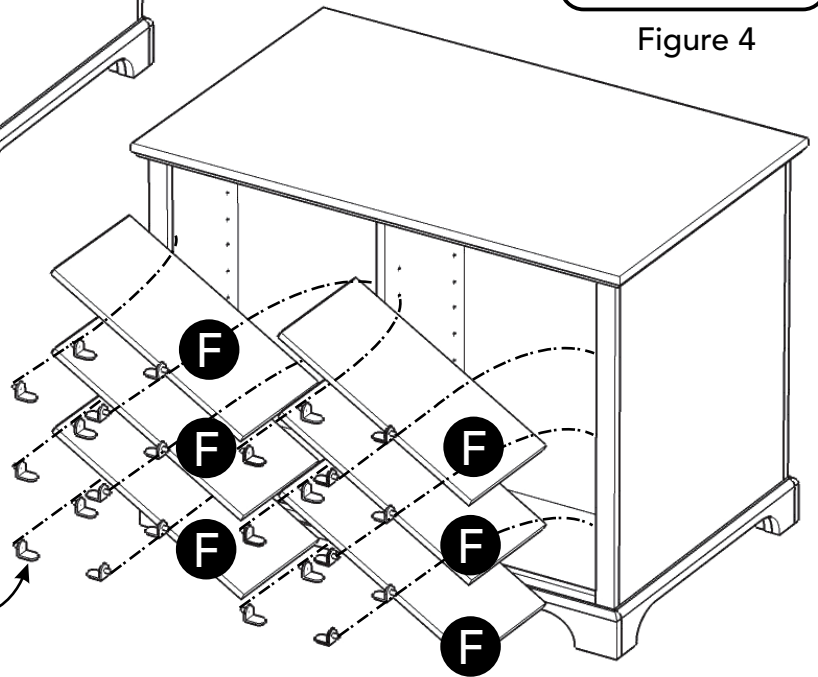


Figure 4

STEP 7

Insert Adjustable Pins into side panels and middle panel at desired level, then place Shelves (F) into position.

Adjustable Pin

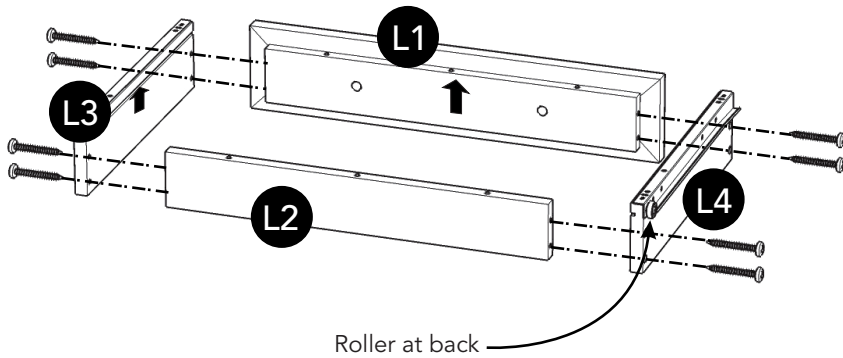
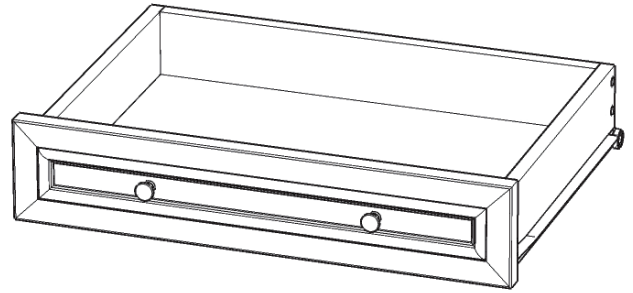


STEP 8

Slide Drawers (L) and (M) into position.

Assembly Instructions 6/7

Drawer (L)



STEP 1

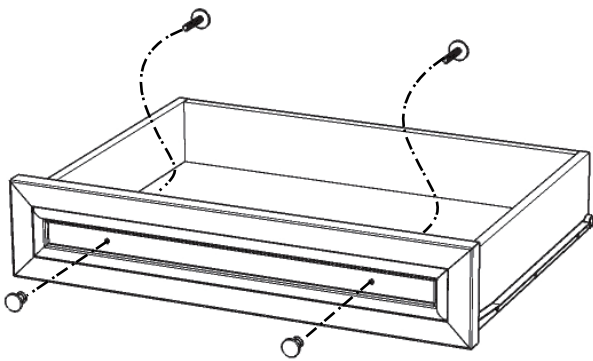
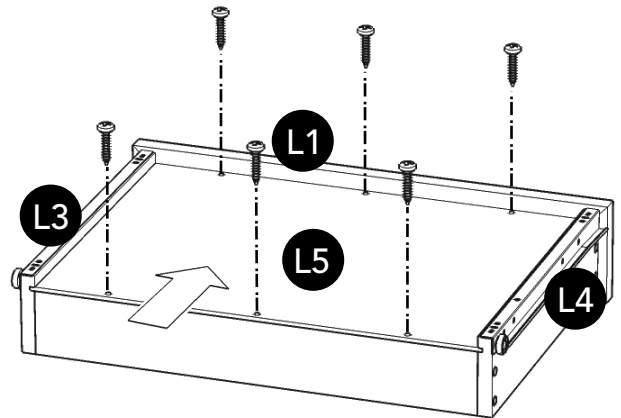
Attach Drawer Front (L1) and Drawer Back (L2) to Drawer Side (L3) with Wood Screws (long).

Attach Drawer Side (L4) to unit with Wood Screws (long).

STEP 2

Slide Drawer Bottom (L5) into the grooves of Drawer Sides (L3) and (L4) until it meets Drawer Front (L1).

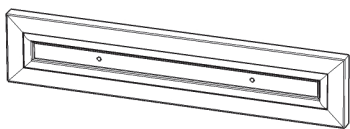
Attach Drawer Bottom (L5) to unit with Wood Screws (short).



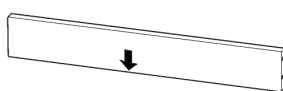
STEP 3

Attach Knobs (small) with Machine Screws.

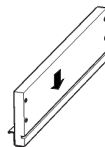
Part List



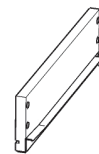
L1.
Drawer Front
4 pcs.



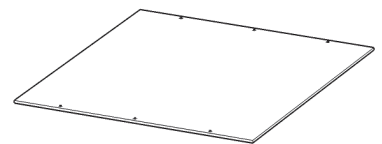
L2.
Drawer Back
4 pcs.



L3.
Drawer Side
4 pcs.



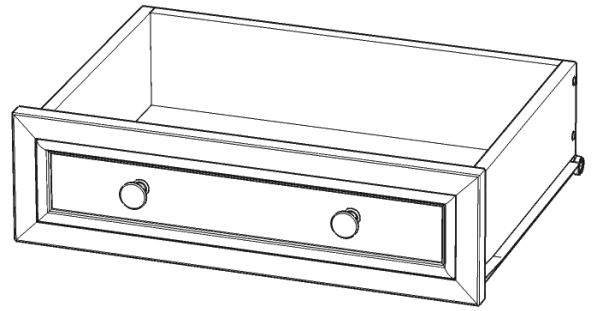
L4.
Drawer Side
4 pcs.



L5.
Drawer Bottom
4 pcs.

Assembly Instructions 7/7

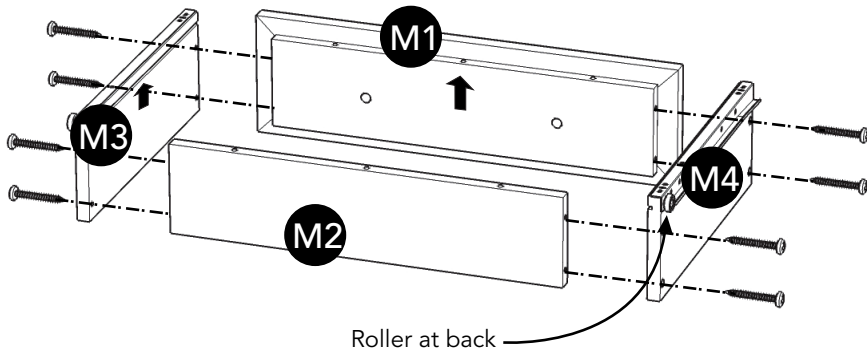
Drawer (M)



STEP 1

Attach Drawer Front (M1) and Drawer Back (M2) to Drawer Side (M3) with Wood Screws (long).

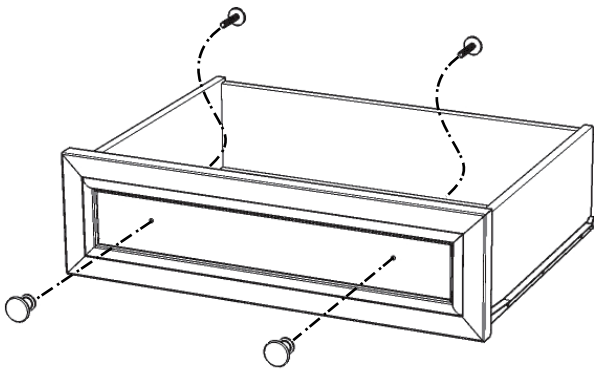
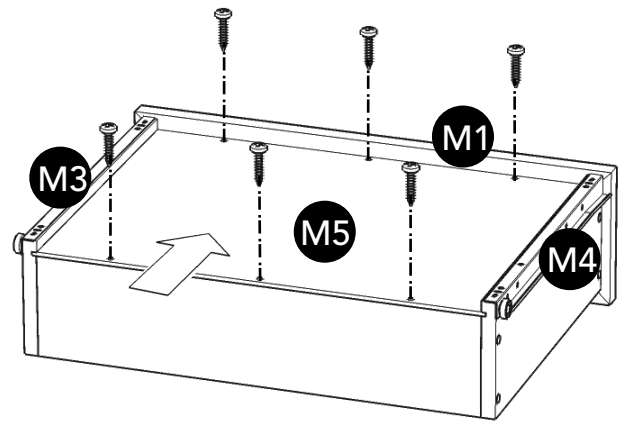
Attach Drawer Side (M4) to unit with Wood Screws (long).



STEP 2

Slide Drawer Bottom (M5) into the grooves of Drawer Sides (M3) and (M4) until it meets Drawer Front (M1).

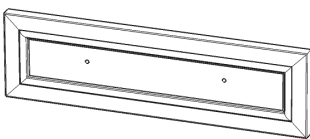
Attach Drawer Bottom (M5) to unit with Wood Screws (short).



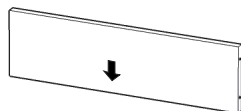
STEP 3

Attach Knobs (large) with Machine Screws.

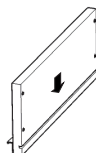
Part List



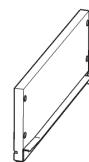
M1.
Drawer Front
6 pcs.



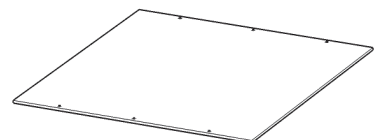
M2.
Drawer Back
6 pcs.



M3.
Drawer Side
6 pcs.



M4.
Drawer Side
6 pcs.



M5.
Drawer Bottom
6 pcs.

CARE INSTRUCTIONS

NEVER

allow liquids to remain on furniture.
Absorption causes parts to warp
and split and finishes to delaminate.

NEVER

use glass cleaners on
finished furniture. Ammonia
chemically attacks the finish.



Do not use power tools
above 8 volts to assemble.
**PREVENT
CRACKING**



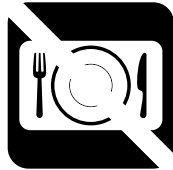
Do not place
in direct sunlight.
**PREVENT
FADING**



Do not write
directly on surface.
**PREVENT
MARKING**



Do not place hot
objects on surface.
**PREVENT
FINISH DAMAGE**



Do not use rubber
based placemats.
**PREVENT
DISCOLORING**



Do not use commercial
waxes and polishes.
**PREVENT
YELLOWING**

CLEAN

with a soft cloth moistened
in lukewarm soap and water.
Buff with a dry clean cloth.



Home Styles will provide replacements free of charge for missing or damaged hardware or parts within 30 days of purchase. Digital images of the defective parts may be required. If the product was not purchased from an authorized retail affiliate, Home Styles is under no obligation to provide replacement parts. Parts are not available for fully assembled items nor are parts available for sale. Replacements for missing or damaged hardware or parts may be requested at:

www.homestyles-furniture.com/customer-service/replacement-parts

Home Styles Customer Service: www.homestyles-furniture.com,
servicedesk@homestyles-furniture.com, 888-680-7460, 877-831-0319