

NOTES: UNLESS OTHERWISE SPECIFIED
 1. FOR GENERAL SERIES SPECIFICATIONS, SEE SD45-0000.

2. MATERIAL SPECIFICATIONS:
 ALL METAL PARTS: COPPER ALLOY
 INSULATOR AND DISC: TEFLON PER ASTM D1710

3. FINISH SPECIFICATIONS:
 ALL METAL PARTS: GOLD PER ASTM B488 OVER
 COPPER PER ASTM B734.

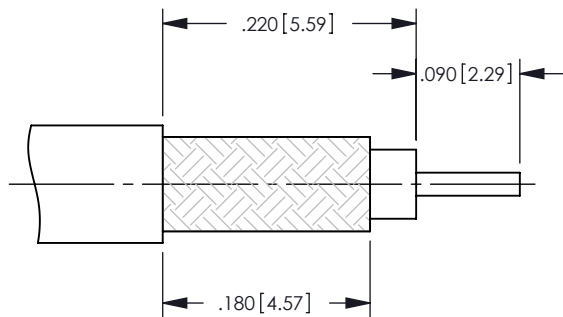
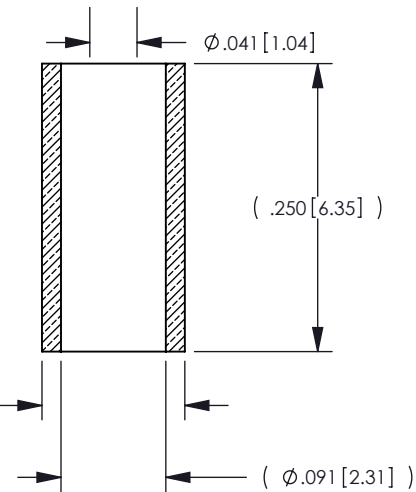
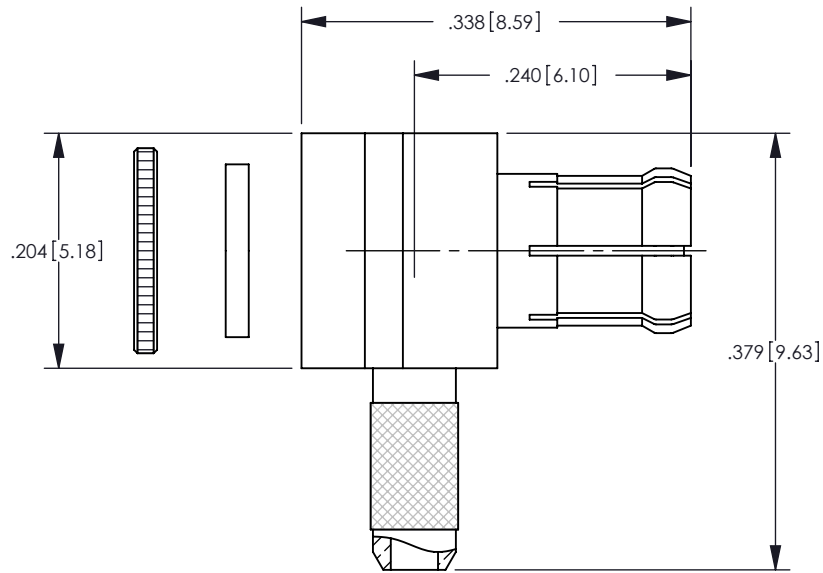
4. ELECTRICAL SPECIFICATIONS:
 IMPEDANCE: 50 OHMS
 NON-MAGNETIC

5. FERRULE, CAP AND DISC SHIPPED LOOSE (IF REQUIRED).

6. DESIGNED FOR USE WITH RG178 OR EQUIVALENT CABLES.

7. CRIMP FERRULE USING .128 HEX DIE.

8. FOR CABLING PROCEDURES USE CAP9-09
 WITH TRIMMING DIMENSIONS SHOWN.



CABLE TRIMMING DIMENSIONS

CATALOG P/N: 452-900-0632HN

REV	DESCRIPTION	BY DATE	APPD
A	RELEASED PER ER10258	08/22/08 JB	JB

PER ASME Y14.5M-1994 UNLESS OTHERWISE SPECIFIED: DIMENSIONS ARE IN INCHES [MM] TOLERANCES: DECIMAL: .XX [X.X] ± .01 [0.3] .XXX [X.XX] ± .005 [0.13] .XXXX [X.XXX] ± .XXXX ANGLES: ± 2° SCALE: 6:1				 Winchester Electronics 62 Barnes Industrial Road North Wallingford, Connecticut 06492	
CUSTOMER DRAWING				 MCX RIGHT ANGLE PLUG NON-MAGNETIC	
DRAWN	DATE	APPROVED	DATE	A SD452-900-0362HN SHT 1 OF 1 REV A	
PSM	01/10/07	DCam	01/11/07		
APPROVED	DATE	APPROVED	DATE		
JB	08/22/08	M. AYUB	08/22/08		