

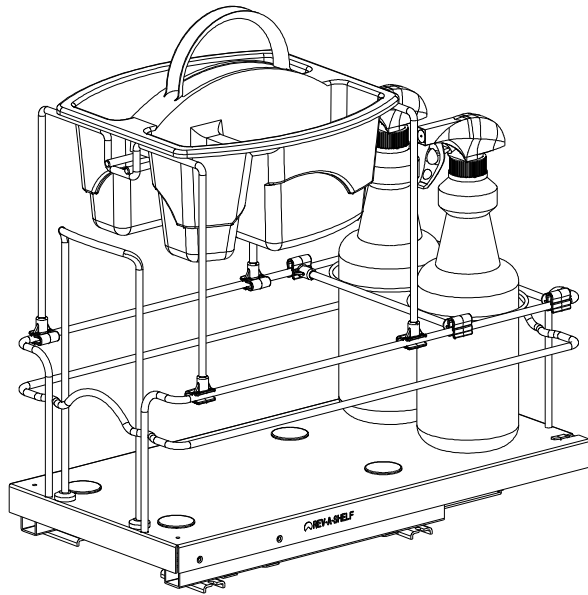
BOTTOM VIEW

CUSTOMER DRAWING

This drawing is the property of Rev-A-Shelf (RAS) and is disclosed in confidence to the extent its subject matter is original to RAS. Any vendor receiving this drawing from RAS shall hold and use this drawing for the sole benefit of RAS and shall not disclose it to, or use or reproduce it for any third party, or perform any act adverse to the interest of RAS with respect to this drawing without the express written permission of RAS. Vendors shall not revise any physical, dimensional or performance characteristic unless authorized by Rev-A-Shelf Engineering.

REV.	DATE	BY	DESCRIPTION OF CHANGE

INCH [MM]	AMERICAN PROJECTION	BY	DATE	REV-A-SHELF [®] , Inc.
		DRAWN	KRR 12-11-18	
TOLERANCES		MATERIAL	DRAWING NO.	SCALE
MAT. DEC. (WOOD) .XX ±.03 [.8mm] (OTHER) .XX ±.02 [.5mm] (ALL) .XX ±.005 [0.13 mm] FRACTIONS ±1/32 [.8 mm]			FINISH	PART NO.
ANGLES ±1/2°			5CC-915S-XX-1	0.250
			5CC-915S-XX-1	1 OF 2



PART DIMENSIONS		
	MIN	MAX
WIDTH	9.25	
DEPTH	18.60	
HEIGHT	18.53	
CONTAINER CAPACITY		
CONTAINER UOM		

MIN CABINET OPENING				
	FACE FRAME	FRAMELESS	INSET FACE FRAME	INSET FRAMELESS
WIDTH	9.50	9.50	9.50	9.50
DEPTH	19.00	19.00	19.75	19.75
HEIGHT	19.00	19.00	19.00	19.00

SLIDE SPECIFICATIONS				
SLIDE MANUFACTURER		RELEASE PART NUMBER		
SLIDE PART NUMBER		SLIDE TYPE	PROGRESSIVE ROLLER	SLIDE EXTENSION
				FULL
		SLIDE CLOSING	SELF / SOFT	SLIDE LENGTH
				450MM (17.72")
		SLIDE MOUNTING	BOTTOM	SLIDE FINISH
				ZINC
				MAX WEIGHT RATING
				85LB

CUSTOMER DRAWING

This drawing is the property of Rev-A-Shelf (RAS) and is disclosed in confidence to the extent its subject matter is original to RAS. Any vendor receiving this drawing from RAS shall hold and use this drawing for the sole benefit of RAS and shall not disclose it to, or use or reproduce it for any third party, or perform any act adverse to the interest of RAS with respect to this drawing without the express written permission of RAS. Vendors shall not revise any physical, dimensional or performance characteristic unless authorized by Rev-A-Shelf Engineering.

REV.	DATE	BY	DESCRIPTION OF CHANGE

INCH [MM]	AMERICAN PROJECTION	BY	DATE	REV-A-SHELF, Inc.
		DRAWN	KRR	
MATERIAL				SIZE
FINISH				B
DRAWING NO.				SCALE
5CC-915S-XX-1				0.250
PART NO.				SHEET
5CC-915S-XX-1				2 OF 2

TOLERANCES
 (WOOD) .XX ±.03 [.8mm]
 (OTHER) .XX ±.02 [.5mm]
 (ALL) .XXX ±.005 [0.13 mm]
 FRACTIONS ±1/32 [.8 mm]

ANGLES ±1/2°