

EML1

LED Emergency Light

Product Description

The EML1 LED emergency light combines a low-profile, contemporary design in an affordable package. The EML1 Series is available in white and offers universal mounting, a test button with AC indicator, damp location listing, and a remote capable option. With fully adjustable heads, the EML1 Series complements any design application.

Construction

- Injection molded thermoplastic ABS housing.
- UL-94v-0 Flame rating - Flame Retardant
- Adjustable heads for aiming light where required
 - Head tilt: +25°/-90°
 - Head rotation: 330°
- Damp location rated
- Operating temperature: 32°F - 104°F (0°C - 40°C)

Optical System

- Precision engineered Prismatic Lens

Electrical

- Input power 1.15W at 120/277VAC
- Remote output power 2.4W at 3.6VDC
- Supports up to four (4) 3.6VDC NICOR remote lamps (see compatibility chart)
- 90 minute capacity (including remote lamps)

Mounting and installation

- Easy installation into a standard junction box or conduit
- Universal mounting plate with EZ quick connect

Finish

- White unpainted ABS Plastic

Photometric Data

EML1

| | |
|-----------------------------|---------|
| Input Voltage (VAC) | 120/277 |
| System Level Power (W) | 1.15 |
| Delivered Lumens (Lm) | 188 |
| System Efficacy (Lm/W) | 165.5 |
| Correlated Color Temp (K) | 6665 |
| Color Rendering Index (CRI) | 83 |

Compatible NICOR Remote Lamps*

- ERH1
- ERH2
- ERHWP1
- ERHWP2

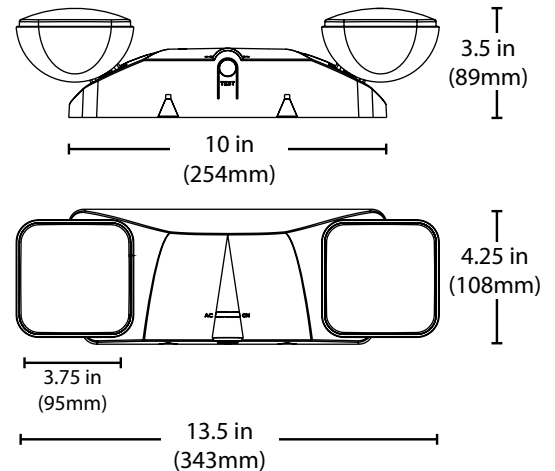
*Not a complete list. Check compatibility before installation.

Project _____

Catalog _____

Type _____

Date _____



Ordering Information

Example: EML110UNVWH

| Series | Version | Voltage | Housing Color | Remote Lamp Option |
|--------|----------|----------------|---------------|-------------------------|
| EML1 | 10 (1.0) | UNV (120-277V) | WH (white) | BLANK (non-remote) |
| | | | | R (remote lamp capable) |