

Catalog Number	
Notes	Type

## FEATURES & SPECIFICATIONS

### INTENDED USE

The OnePass dropcable allows miscellaneous devices (exits, emergency units, etc.) to become part of the OnePass system to be field installed by contractor. Also a plug-in connection for industrial fixtures that can be prewired by fixture manufacturer or field installed by contractor.

### ELECTRICAL

Rated for use on 20-amp branch circuits

All conductors are 12 AWG copper with 90°C thermoplastic insulation rated 600V

All components provide a fully-rated No. 12 AWG grounding conductor

Safety-keying prevents accidental mating of components with different voltages

### SYSTEM FEATURES

Pin and socket contacts

Color-coded labels for quick voltage identification

EXT option enables OD's to be installed in hot and cold applications (-40°C to +75°C)

Type of insulation for EXT option is based on NEC Table 310.13 (A)

Dust Cover available for unused ports: RDC3 METAL DUST COVER

### LISTINGS

UL Listed to US and Canadian safety standards.

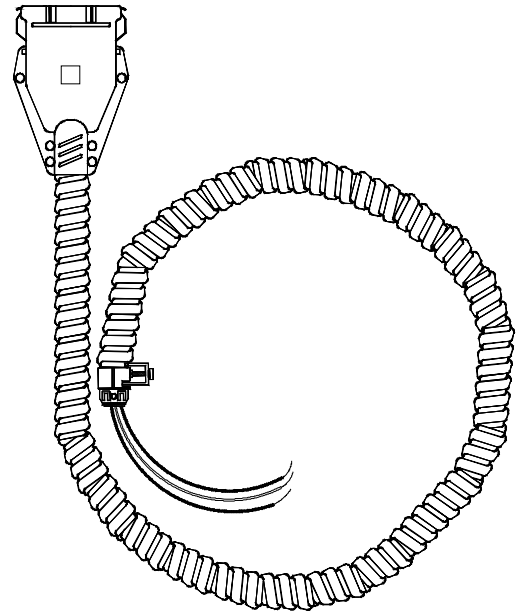
### WARRANTY

One year from the date of purchase.

## Open Ceiling Lighting System

# OD

## OnePass Dropcable



## ORDERING INFORMATION

Example: **OC2 277 12/4G 09**

FOR SHORTEST LEAD TIMES, CONFIGURE PRODUCT USING STANDARD OPTIONS (SHOWN IN BOLD).

Series	Voltage	Conductors <sup>1</sup>	Length <sup>4</sup>	Option	Finish <sup>3</sup>
<b>OD</b>	<b>120</b> 120V <b>208</b> 208V <b>277</b> 277V <b>240</b> 240V <b>347</b> 347V <b>480</b> 480V	<b>12/2G</b> Two 12AWG conductors plus one 12AWG ground <b>12/3G</b> Three 12AWG conductors plus one 12AWG ground <b>12/4G</b> Four 12AWG conductors plus one 12AWG ground	<b>01</b> 1ft <b>05</b> 5ft <b>10</b> 10ft <b>15</b> 15ft <b>20</b> 20ft <b>25</b> 25ft <b>30</b> 30ft	<b>2N</b> Two circuit, two neutral <sup>2</sup> <b>EXT</b> Extreme temperature rating conductors <sup>5</sup>	<b>RD</b> Red <b>BK</b> Black <b>WH</b> White <b>BE</b> Beige

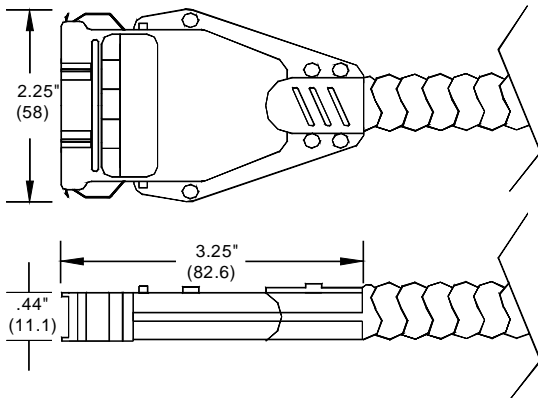
### Notes

1. Conductors available in 12AWG only. 12AWG will plug into 10AWG product.
2. 2N available in 277V and 120V; 12/4G conductors only.
3. Colored cable available. Contact factory for other finishes.
4. Standard lengths listed. Consult factory for custom lengths.
5. EXT option required for EXTREME hot and cold temperature applications (-40°C to +75°C)

# OD Dropcable

## DIMENSIONS

Dimensions are shown in inches (millimeters).



## Wire Color

Position	120V <sup>1</sup>	208/240V <sup>2</sup>	277V <sup>1</sup>	347V <sup>1</sup>	480V <sup>2</sup>
G	Bare	Bare	Bare	Bare	Bare
1	Black	Black	Brown	Black	Brown
2	Red	Red	Orange	Red	Orange
3	Blue	Blue	Yellow	Blue	Yellow
N	White	Violet	Gray	White	Violet

## Notes:

1. Two neutral (2N) products have gray (120V) white (277V) in 3rd position.
2. N position becomes 4th Hot for 208, 240, 480V 3 phase.

## SYSTEM VIEW

