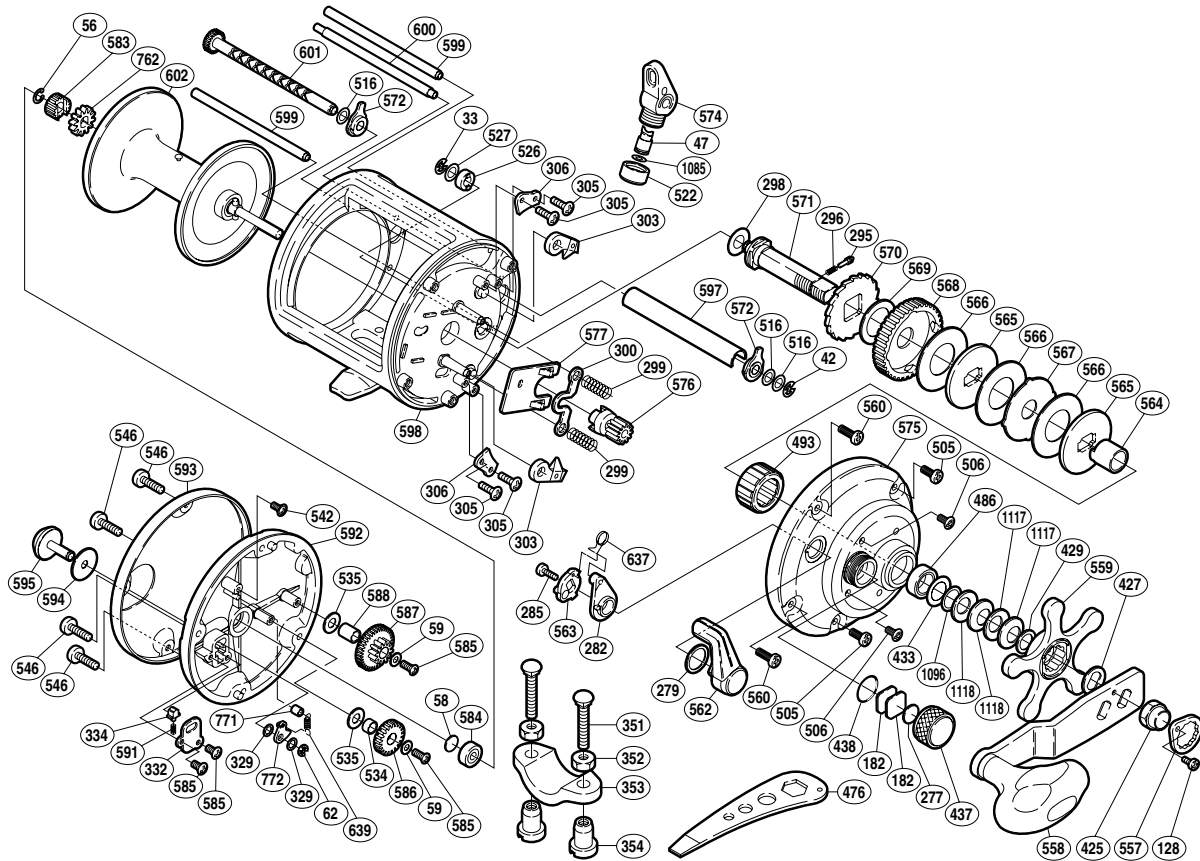


SHIMANO

TEKOTA

TEK-800



(1RJ220800U)

Part No.	Description	Part No.	Description	Part No.	Description
TGT0033	Drive Shaft Retainer	TGT0505	Right Side Plate Screw (C)	TGT0586	Idle Gear "B"
TGT0042	Worm Shaft Retainer	TGT0506	Right Side Plate Screw (B)	TGT0587	Idle Gear "D"
TGT0047	Line Guide Pawl	TGT0516	Worm Shaft Spacer	TGT0588	Idle Gear "D" Support
TGT0056	Idle Gear "A" Retainer	TGT0522	Pawl Cap	TGT0591	Click Spring
TGT0058	Spacer "B"	TGT0526	Drive Shaft Bushing	TGT0592	Left Side Plate
TGT0059	Lock Washer	TGT0527	Drive Shaft Washer (A)	TGT0593	Left Side Plate Cover
TGT0062	Click Pawl Retainer	TGT0534	Idle Gear "B" Support	TGT0594	Spacer (A)
TGT0128	Handle Nut Plate Screw	TGT0535	Spacer "A"	TGT0595	Click Button
TGT0182	Cast Control Spacer (A)	TGT0542	Click Pawl Spring Screw	TGT0597	Left Wind Guard
TGT0277	Cast Control Spacer (B)	TGT0546	Left Side Plate Screw	TGT0598	One-Piece Frame
TGT0279	Smoother	TGT0557	Handle Nut Plate	TGT0599	Stabilizer Bar "A"
TGT0282	Eccentric Cam Bushing	TGT0558	Handle Assembly	TGT0600	Stabilizer Bar "B"
TGT0285	Clutch Lever Screw	TGT0559	Star Drag	TGT0601	Worm Shaft
TGT0295	Click Pin	TGT0560	Right Side Plate Screw (A)	TGT0602	Spool Assembly
TGT0296	Click Spring	TGT0562	Clutch Lever	TGT0637	Clutch Spring
TGT0298	Drive Shaft Washer (B)	TGT0563	Clutch Cam	TGT0639	Click Pawl Spring
TGT0299	Yoke Spring	TGT0564	Roller Clutch Inner Tube	TGT0762	Click Gear
TGT0300	Yoke	TGT0565	Key Washer	TGT0771	Click Pawl Spring Boss Ring
TGT0303	Anti-Reverse Pawl	TGT0566	Drag Washer (B)	TGT0772	Click Pawl
TGT0305	Anti-Reverse Pawl Screw	TGT0567	Eared Washer	TGT1085	Spacer
TGT0306	Anti-Reverse Pawl Keeper	TGT0568	Drive Gear	TGT1096	Washer
TGT0329	Spacer (B)	TGT0569	Drag Washer (A)	TGT1117	Drag Spring Washer (10L)
TGT0332	Click Spring Retainer	TGT0570	Anti-Reverse Ratchet	TGT1118	Drag Spring Washer (10H)
TGT0334	Click Spring Holder	TGT0571	Drive Shaft		
TGT0425	Handle Nut	TGT0572	Worm Bushing		
TGT0427	Drive Shaft Shield	TGT0574	Line Guide		
TGT0429	Star Drag Washer	TGT0575	Right Side Plate	TGT0351	Rod Clamp Bolt (accessory)
TGT0433	Bearing Seal	TGT0576	Pinion Gear	TGT0352	Rod Clamp Nut (B) (accessory)
TGT0437	Cast Control Cap	TGT0577	Yoke Plate	TGT0353	Rod Clamp (accessory)
TGT0438	"O" Ring	TGT0583	Idle Gear "A"	TGT0354	Rod Clamp Nut (A) (accessory)
TGT0486	Ball Bearing	TGT0584	Ball Bearing		
TGT0493	Roller Clutch Bearing	TGT0585	Multi-Purpose Screw	TGT0476	Wrench (accessory)

(201111)