

## Lucid™ One Handle Roman Tub Filler

### FEATURES:

---

- Metal construction
- Sub-floor installation
- ½" NPT (female) inlets
- Lever handle allows for both on/off activation and temperature setting
- Ceramic cartridge
- Pull button diverter
- Flow rate of 3.6 gpm (13.6 L/min) at 20 psi
- Corrosion resistant finishes
- Coordinates with Lucid Collection

### HAND SHOWER FEATURES:

---

- ½" NPSM (male) inlet
- Max. flow rate of 2.0 gpm (7.6 L/min)
- Includes 60" finish matched hose

### STOCK FINISHES:

---



PC MB

### STANDARDS:

---

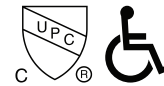
- ASME A112.18.1/CSA B125.1 certified
- WaterSense certified (Hand Shower only)
- ADA compliant

### WARRANTY:

---

Visit [www.speakman.com](http://www.speakman.com) for full product warranty information

- 5 Year Limited Warranty (commercial)
- Limited Lifetime Warranty (residential)



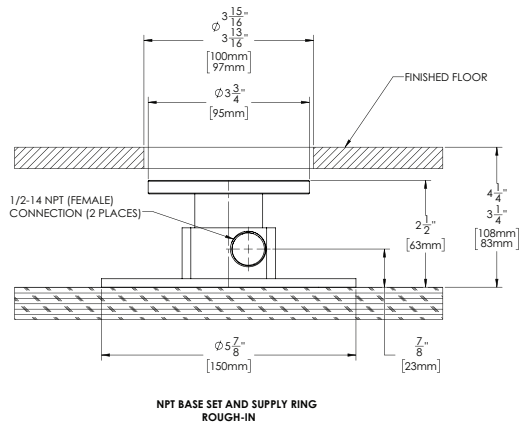
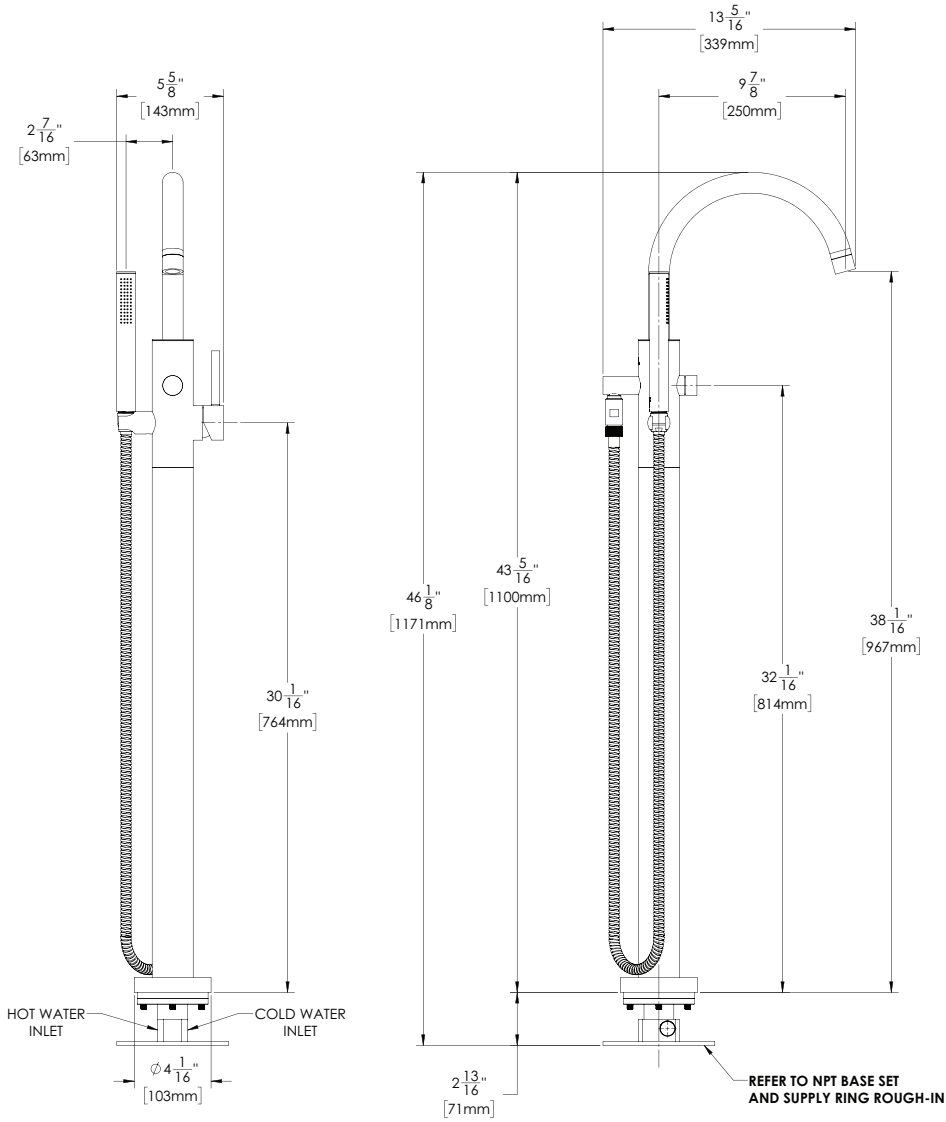
Information continues on next page

All dimensions are in inches (millimeters) unless otherwise specified and are subject to change without notice.

Architect/Engineer Approval Space:

P: 800-537-2107  
F: 800-977-2747  
W: WWW.SPEAKMAN.COM  
R: 02-MAY 2022

## Lucid™ One Handle Roman Tub Filler



All dimensions are in inches (millimeters) unless otherwise specified and are subject to change without notice.

Architect/Engineer Approval Space:

P: 800-537-2107  
 F: 800-977-2747  
 W: WWW.SPEAKMAN.COM  
 R: 02-MAY 2022