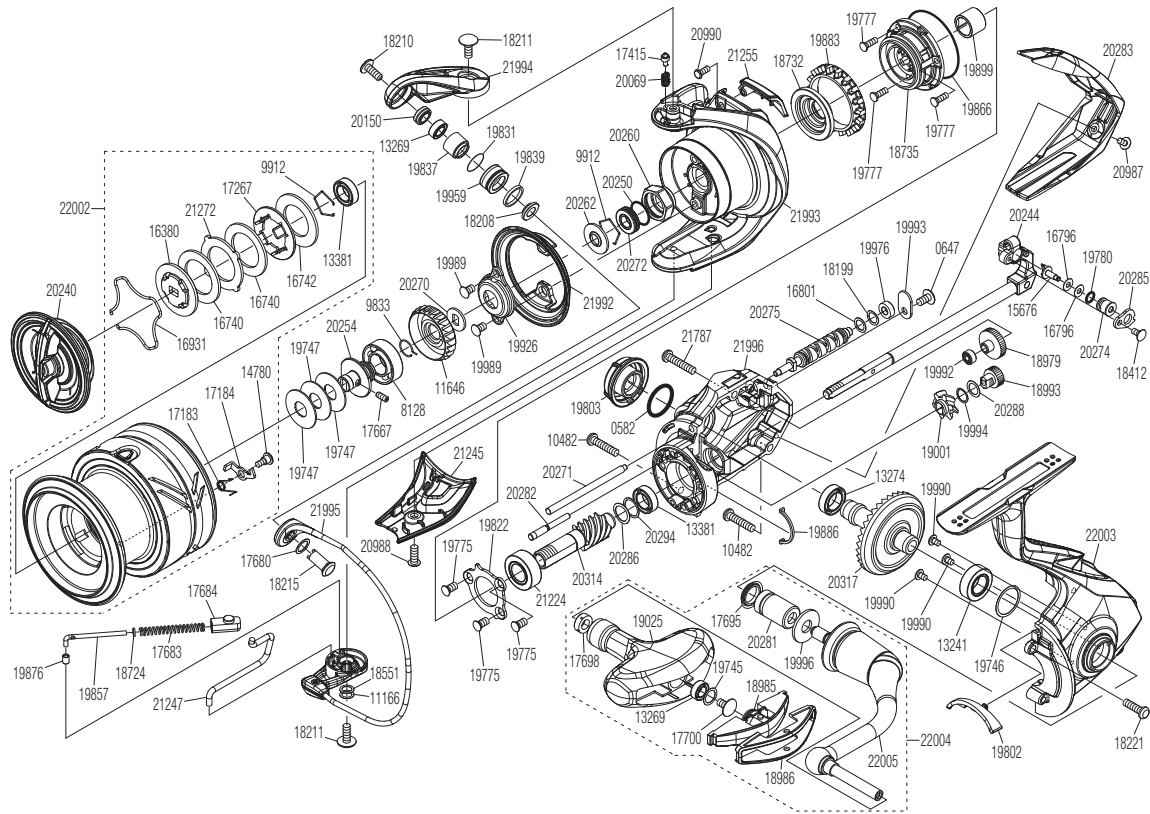


SHIMANO

SUSTAIN

SA-4000XG



Please note that the number of adjusting washers may not always be the same as shown in the exploded views.

(51SF46H045X)

Please note that your actions take full responsibility when you take it apart.

Part No.	Description	Part No.	Description	Part No.	Description
RD 0582	O Ring	RD18735	Roller Clutch Assembly	RD20262	Bearing Water Proof
RD 0647	Screw	RD18979	Idle Gear	RD20270	Spool Support
RD 8128	Ball Bearing	RD18985	Handle Knob Seal	RD20271	Oscillating Guide A
RD 9833	Ratchet Spring	RD18986	Handle Knob ID Plate	RD20272	Main Shaft Collar
RD 9912	Bearing Retainer	RD18993	Idle Gear (Small)	RD20274	Oscillating Slider Bushing
RD10482	Screw	RD19001	Idle Gear (Large)	RD20275	Worm Shaft
RD11166	Spacer	RD19025	Handle Knob	RD20281	Handle Shaft Cover
RD11646	Drag Click Ratchet	RD19745	Washer	RD20282	Idle Gear Shaft
RD13241	Ball Bearing	RD19746	Washer	RD20283	Rear Protector
RD13269	Ball Bearing	RD19747	Spool Washer	RD20285	Oscillating Pawl Cover
RD13274	Ball Bearing	RD19775	Screw	RD20286	Washer
RD13381	Ball Bearing	RD19777	Screw	RD20288	Spacer
RD14780	Screw	RD19780	O Ring	RD20294	Washer
RD15676	Oscillating Pawl	RD19802	Bail Trip Strike	RD20314	Pinion Gear
RD16380	Key Washer B	RD19803	Handle Screw Cap	RD20317	Drive Gear
RD16740	Drag Washer A	RD19822	Bearing Retainer	RD20987	Screw
RD16742	Drag Washer B	RD19831	O Ring	RD20988	Screw
RD16796	Spacer	RD19837	Bushing	RD20990	Screw
RD16801	Washer	RD19839	Spacer	RD21224	Ball Bearing
RD16931	Retainer	RD19857	Bail Spring Guide A	RD21245	Bail Hold Support Guard
RD17183	Drag Click Spring	RD19866	O Ring	RD21247	Bail Trip Lever
RD17184	Drag Click	RD19876	Bail Spring Guide A Bushing	RD21255	Counter Weight Cover
RD17267	Key Washer	RD19883	Friction Ring	RD21272	Eared Washer
RD17415	Click Pin	RD19886	Flange Water Proof	RD21787	Screw
RD17667	Set Screw	RD19899	Roller Clutch Inner	RD21992	Rotor Brim
RD17680	Washer	RD19926	Nut Lock Plate	RD21993	Rotor Assembly
RD17683	Bail Spring	RD19959	Line Roller	RD21994	Bail Arm
RD17684	Bail Spring Guide B	RD19976	Bushing	RD21995	Bail Assembly
RD17695	Handle Shaft Seal	RD19989	Screw	RD21996	Body
RD17698	Bushing	RD19990	Screw	RD22002	Spool Assembly
RD17700	Screw	RD19992	Bushing	RD22003	Side Cover Assembly
RD18199	Spacer	RD19993	Worm Shaft Retainer	RD22004	Handle Assembly
RD18208	Bearing Spacer	RD19994	Washer	RD22005	Handle Shank Assembly
RD18210	Screw	RD19996	Washer		
RD18211	Screw	RD20069	Click Spring		
RD18215	Line Roller Support	RD20150	Collar		
RD18221	Screw	RD20240	Drag Knob Assembly		
RD18412	Screw	RD20244	Main Shaft Assembly		
RD18551	Washer	RD20250	O Ring		
RD18724	Spring Guide A Collar	RD20254	Spool Bearing Bushing		
RD18732	Rotor Ring	RD20260	Rotor Nut	RD18054	Anti Line Slip Sticker