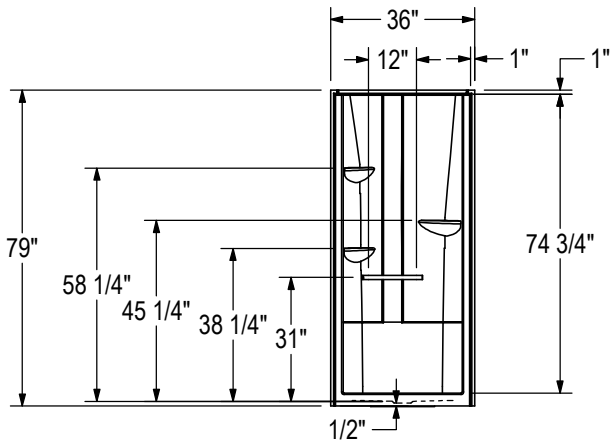
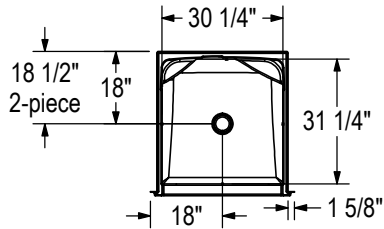
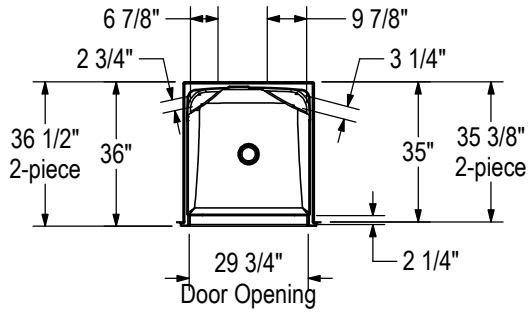
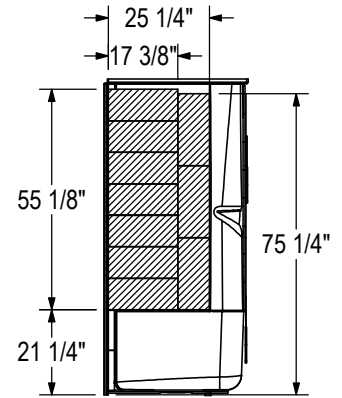


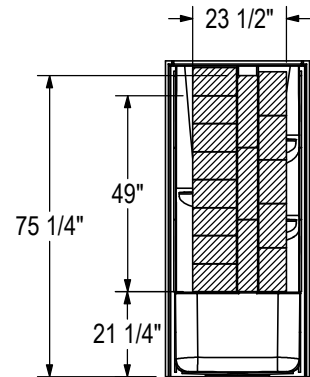
STANDARD
1 PIECE MODEL SHOWN



OPTIONAL REINFORCEMENT
(Left shown, Right symmetrical)

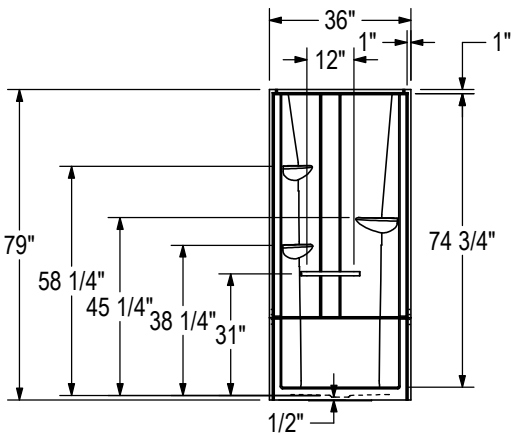
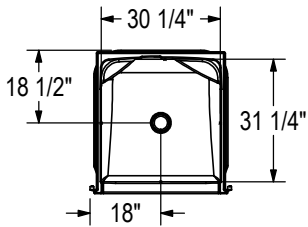
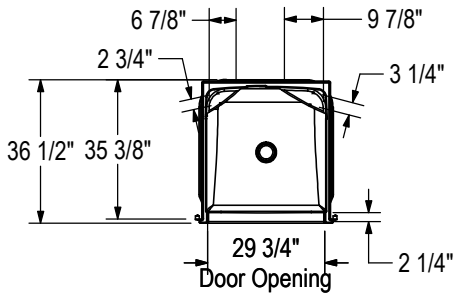


OPTIONAL REINFORCEMENT
(Back Wall)



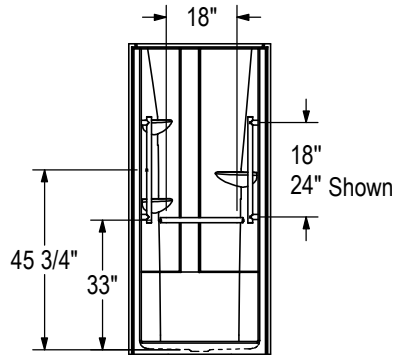
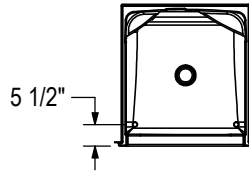
All dimensions are approximate. Structure measurements must be verified against the unit to ensure proper fit.

STANDARD

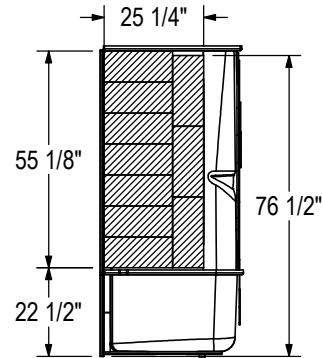


GRAB BAR

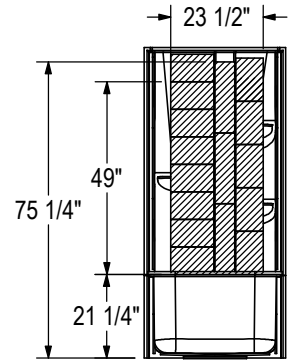
OPTION 20203 & 20204



OPTIONAL REINFORCEMENT (Left shown, Right symmetrical)



OPTIONAL REINFORCEMENT (Back Wall)



**All dimensions are approximate.
Structure measurements
must be verified against the unit to ensure proper fit.**