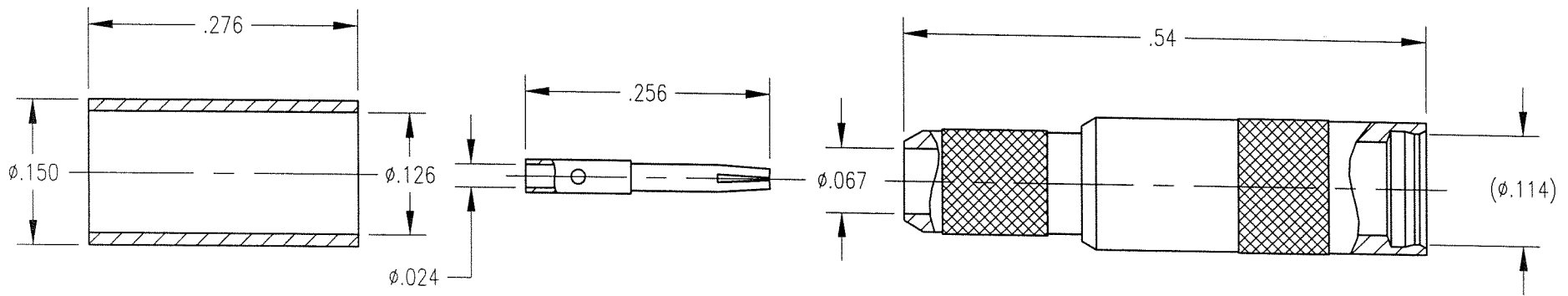


DWG NO. 471-900-0630Y			
REV	DESCRIPTION	BY DATE	APPD
C	ECR 6625	JWC 1/20/00	[Signature]



- NOTES:
- MATERIALS:  
 CENTER CONTACT: BERYLLIUM COPPER  
 ALL OTHER METAL PARTS: BRASS  
 INSULATOR: TEFLON
  - FINISH:  
 CENTER CONTACT: .000030 MIN. GOLD OVER NICKEL  
 ALL OTHER METAL PARTS: GOLD PLATE
  - DESIGNED FOR USE WITH RG-316 CABLE OR EQUIVALENT.

PER ASME Y14.5M-1994 UNLESS OTHERWISE SPECIFIED: DIMENSIONS ARE IN INCHES (MM)		<b>Litton</b>	
TOLERANCES: DECIMALS .xx ± .01/0.254 .xxx ± .005/0.127 ANGLES ± 2°		Winchester/Retconn 400 Park Road Watertown, Connecticut 06795	
<b>CUSTOMER DRAWING</b>		TITLE MMCX STRAIGHT RECEPTACLE	
DRAWN JED	DATE 8/16/00	CHECKED JH	DATE 8/16/00
APPROVED JWC	DATE 8/17/00	APPROVED KJT	DATE 8/16/00
<b>A</b>		471-900-0630Y	SHT. 1 OF 1 REV. C