

F1807 Brass PEX Female Sweat Adapter

Job Name	_____
Location	_____
Engineer	_____
Contractor	_____
Tag	_____ PO# _____

Specifications

Manufactured to the highest industry standards, Jones Stephens' F1807 lead-free brass crimp fittings provide precise, leak-free connections. The secure and reliable crimp fitting method provides full, immediate strength upon installation, with 360-degree uniform pressure. Approved for use with PEX piping.

Applications

Jones Stephens' F1807 Brass PEX Female Sweat Adapters are approved for use with commercial and residential non-potable water applications.

Materials

Lead-free brass

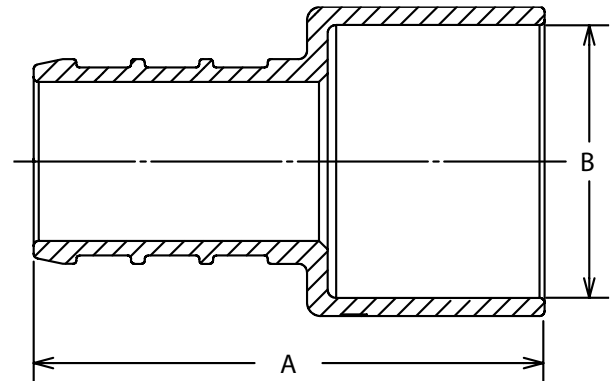


Dimensions and Product Offering

PART NO.	SIZE	A - IN (MM)	A TOLERANCE ±IN(MM)	B - IN (MM)	B TOLERANCE ±IN(MM)	WEIGHT - LBS (G)	WEIGHT TOLERANCE ±LBS (G)
C76027LF	0.50"	1.18 (29.90)	0.01 (0.20)	0.63 (15.98)	0.002 (0.05)	0.03 (13.61)	0.02 (10.89)
C76029LF	0.50" F1807 x 0.75"	1.39 (35.25)	0.01 (0.20)	0.88 (22.33)	0.002 (0.05)	0.05 (22.68)	0.02 (10.89)
C76028LF	0.75"	1.44 (36.55)	0.01 (0.20)	0.88 (22.33)	0.002 (0.05)	0.05 (22.68)	0.02 (10.89)
C76030LF	1.00"	1.79 (45.55)	0.01 (0.20)	1.19 (30.20)	0.002 (0.05)	0.09 (40.82)	0.02 (10.89)
C76112LF	1-1/4"	2.06 (52.38)	0.04 (1.00)	1.43 (36.26)	0.028 (0.07)	0.20 (91.50)	0.02 (10.89)
C76127LF	1-1/2"	2.42 (61.58)	0.04 (1.00)	1.77 (44.91)	0.028 (0.71)	0.40 (181.00)	0.02 (10.89)
C76146LF	2"	3.02 (76.60)	0.04 (1.00)	2.32 (59.00)	0.035 (0.89)	0.60 (268.00)	0.02 (10.89)

Certifications/Listings/Approvals

- ASTM F1807
- NSF/ANSI/ CAN 372, NSF/ANSI/CAN 61, and NSF/ANSI 14
- CSA B137.5
- IAMPO Listed
- Lead Law Compliant
- Vermont Act 193 Compliant



	ID (Min.)	OD
F1807 Specified Dimensions	in. (mm)	in. (mm)
1/2" End Connection	.35	.471 ± .004
3/4" End Connection	.53	.667 ± .004
1" End Connection	.71	.856 ± .004
1-1/4" End Connection	.87	1.045 ± .004
1-1/2" End Connection	1.02	1.233 ± .006
2" End Connection	1.37	1.602 ± .005