

# KALLISTA®

## Per Se® by KALLISTA Pressure Balance Trim, Lever Handle P24715-LV

### Features

- A selection of products within this collection is in stock and ready to ship. Please visit [kallista.com/resources/#ReadyToShip](http://kallista.com/resources/#ReadyToShip) for the complete list of Ready-to-Ship products and finishes
- High-quality solid metal construction for durability and reliability
- Required rough-in sold separately
- Maintains water temperature within +/-3 degrees Fahrenheit
- Features a high-temperature-limit stop to help prevent scalding



### Required Products/Accessories

P19310-00 Pressure Balance Rough-In

or

P19310-WS Pressure Balance Rough-In Valve With Stops

or

P29500-00 Thermostatic rough-in with integrated volume control

or

P29500-WS Thermostatic rough-in with volume control & stops

### Recommended Products/Accessories

P24723-LV Volume Control Trim, Lever Handle

P24761-00 Handshower with Hose

P21515-00 Air-Induction ECO Soft Modern Rain Showerhead

P24722-LV Thermostatic Trim, Lever Handle

**ADA**

**CSA B651**

**OBC**

### Codes/Standards

ASME A112.18.1/CSA B125.1

ADA

ICC/ANSI A117.1

CSA B651

OBC

NOM Standards






NOM 012-CONAGUA

### KALLISTA® Five-Year Limited Warranty

See website for detailed warranty information.

### Available Colors/Finishes

*Color tiles intended for reference only.*

Color	Code	Description
	CP	Polished Chrome
	AF	French Gold
	BAF	Brushed French Gold
	BN	Brushed Nickel
	SN	Polished Nickel

1-888-4-KALLISTA (1-888-452-5547)

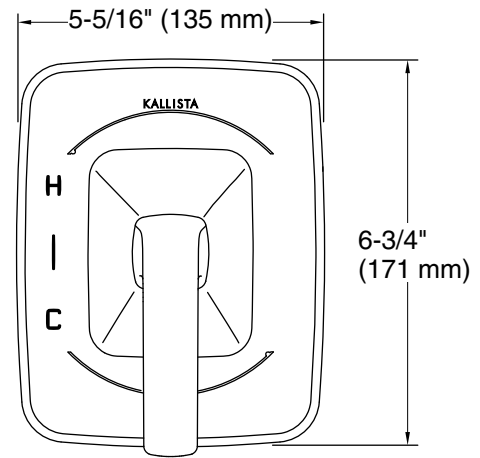
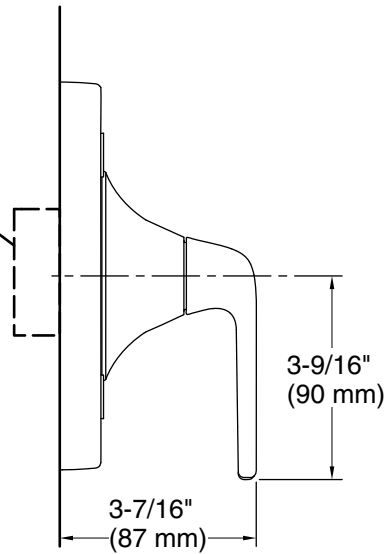
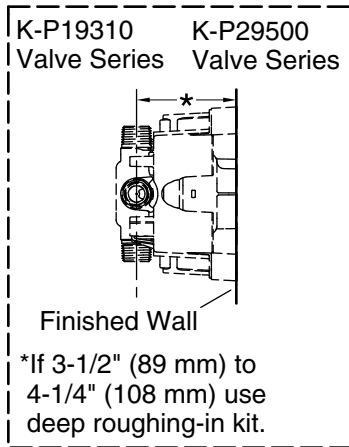
Kallista reserves the right to make revisions without notice to product specifications.

For the most current Specification Sheet, go to [www.kallista.com](http://www.kallista.com).

1-26-2026 20:51 - US/CA

# KALLISTA

Per Se® by KALLISTA  
Pressure Balance Trim, Lever Handle  
P24715-LV



## Technical Information

All product dimensions are nominal.

## Notes

ADA, OBC, CSA B651 compliant when installed to the specific requirements of these regulations.