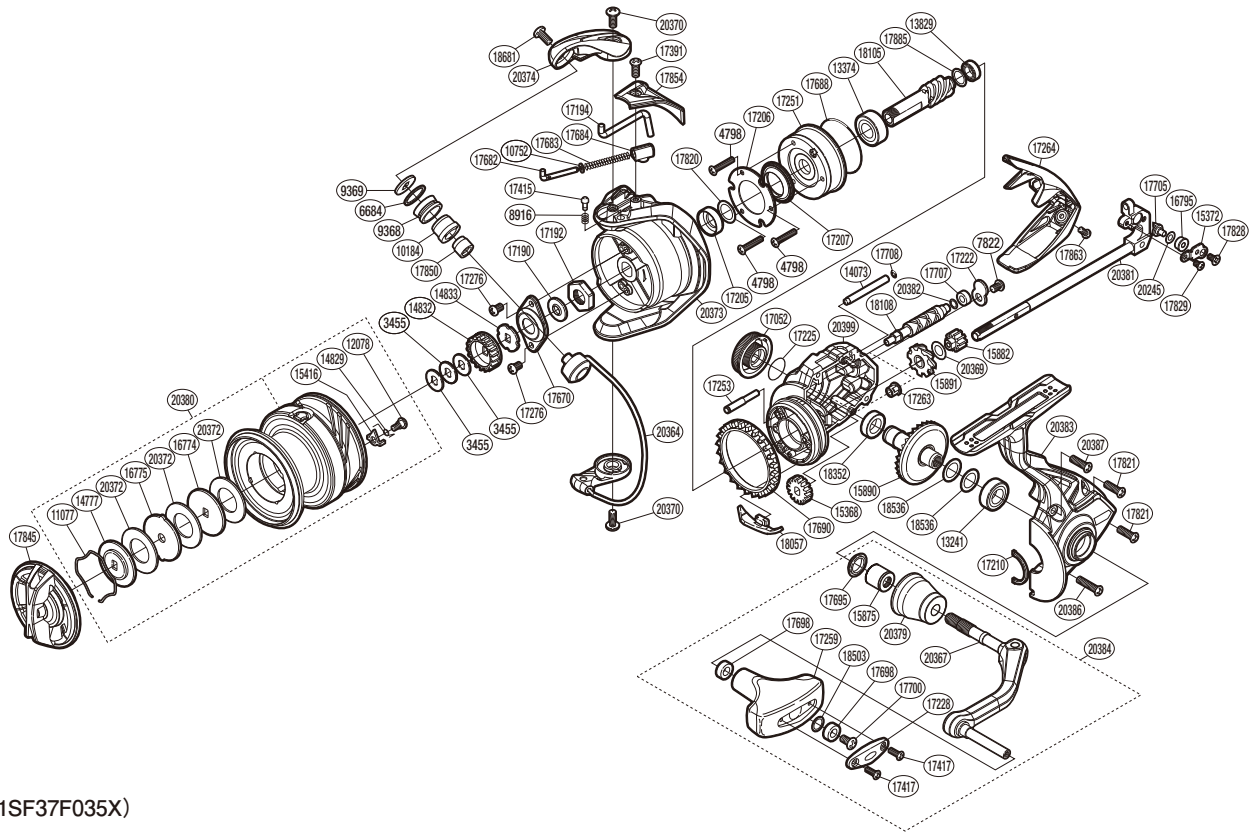


SHIMANO

SPHEROS

SP3000XGSW



(51SF37F035X)

#	Part No.	Description	#	Part No.	Description	#	Part No.	Description
3455	10BXN	Spool Washer	17194	106P2	Bail Trip Lever	17829	10L67	Screw
4798	103C6	Screw	17205	10JHG	Rotor Ring	17845	10DLX	Drag Knob Assembly
6684	10KFD	Line Roller Spacer	17206	10L62	Roller Clutch Reinforce	17850	1020X	Line Roller Collar
7822	103KW	Screw	17207	10MH6	Roller Clutch Water Proof	17854	10DNX	Bail Spring Cover
8916	10CH0	Click Spring	17210	10CBD	Flange Water Proof	17863	10LCS	Screw
9368	10JLF	Line Roller	17222	10ATJ	Worm Shaft Retainer	17885	10HEP	Washer
9369	10PFP	Line Roller Washer	17225	1090A	O Ring	18057	107E0	Bail Trip Strike
10184	10PFH	Line Roller Bushing	17228	108X5	Handle Knob I.D. Plate	18105	10C51	Pinion Gear
10752	10TYE	Bail Spring Guide A Support	17251	10QPN	Roller Clutch Assembly	18108	1068H	Worm Shaft
11077	10MZX	Drag Washer Retainer	17253	10CLE	Idle Gear B Shaft	18352	10SV6	Bushing
12078	10PH4	Screw	17259	102HM	Handle Knob	18503	101BD	Washer
13241	104JD	Ball Bearing	17263	106MB	Worm Bushing (Front)	18536	1003B	Washer
13374	104Q5	Ball Bearing	17264	10NNG	Rear Protector	18681	10PMH	Screw
13829	104JZ	Ball Bearing	17276	10PME	Screw	20245	101AT	Washer
14073	10337	Oscillating Guide A	17391	10LFK	Screw	20364	10SVG	Bail Assembly
14777	10QBT	Key Washer	17415	106ZC	Click Pin	20367	10SVB	Handle Shank Assembly
14829	10PH3	Drag Click Spring	17417	10L1T	Screw	20369	10DHA	Washer
14832	103MU	Spool Support A	17670	10TRH	Rotor Nut Lock Plate	20370	103DA	Screw
14833	10J04	Spool Support B	17682	1061L	Bail Spring Guide	20372	100EN	Drag Washer
15368	10HBH	Idle Gear	17683	105R6	Bail Spring	20373	100ED	Rotor
15372	10HAE	Oscillating Pawl Cover	17684	107AB	Bail Spring Guide B	20374	100DX	Bail Arm
15416	1038H	Drag Click	17688	10MLU	O Ring	20379	100E7	Handle Shaft Cover
15875	10C82	Handle Shaft Cover B	17690	104FV	Friction Ring	20380	100EL	Spool Assembly
15882	106RH	Idle Gear B Small	17695	10PXV	Handle Shaft Seal	20381	10SJ5	Main Shaft Assembly
15890	10AAV	Drive Gear Assembly	17698	10PXZ	Handle Knob Bushing	20382	10SVH	Washer
15891	10CNR	Idle Gear B Large	17700	10LFA	Screw	20383	10SJP	Side Cover Assembly
16774	10BCE	Key Washer	17705	10JT4	Oscillating Pawl	20384	10T5L	Handle Assembly
16775	102ZD	Eared Washer	17707	106CN	Worm Bushing (Rear)	20386	100EB	Screw
16795	10JXT	Oscillating Slider Bushing	17708	10JAC	O Ring	20387	10SJ4	Screw
17052	10N4J	Handle Screw Cap	17820	10GR6	Washer	20399	100EF	Body
17190	107L4	Bearing Water Proof	17821	10LZG	Screw			
17192	1067Y	Rotor Nut	17828	10QVK	Screw			

Please note that the number of adjusting washers may not be the same as shown in the exploded views.
(Adjustment will vary with each individual product.)