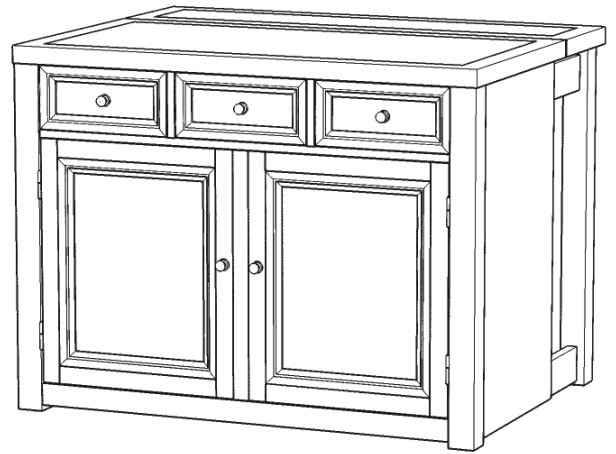


homestyles

20 05420 0941

Kitchen Island



IMPORTANT

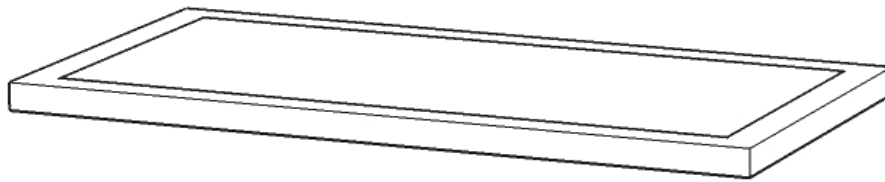
Carefully remove all the parts from the carton and place them individually on a soft cloth to prevent scratches or other damage.

Carefully and strictly follow these assembly instructions to ensure a completed product as designed.

Do not use power tools above 8 volts to assemble.

Patent 8,584,600 B2

Part List



A.
Top
1 pc.

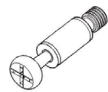


B.
Leaf Top
1 pc.

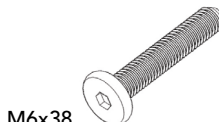
Hardware List



Hex Wrench
1 pc.



Cam Lock Screw
23 pcs. (+4 extra)



M6x38
Head Cap Bolt
6 pcs. (+1 extra)



M3x25
Wood Screw (long)
24 pcs. (+1 extra)



M3.5x19
Wood Screw
9 pcs. (+1 extra)



Knob
5 pcs.



Small Hex Wrench
1 pc.



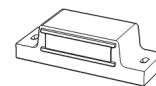
Cam Lock
23 pcs. (+6 extra)



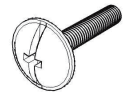
Adjustable Pin
16 pcs. (+1 extra)



M3x16
Wood Screw (short)
28 pcs. (+1 extra)



Magnet
2 pcs.



M4x32
Machine Screw
5 pcs.

Carton 20 05420 0942 and 0943 are also needed for assembly.

Tool(s) required for assembly: Phillips screwdriver, Level

Home Styles Customer Service: www.homestyles-furniture.com,
servicedesk@homestyles-furniture.com, 888-680-7460, 877-831-0319

Assembly Instructions 2/8

IMPORTANT

- Use a soft cloth between these parts and the floor.
- Do not use power tools above 8 volts to assemble.
- Make sure unit is level before tightening these screws.
- Do not tighten all the bolts until each part is properly assembled.
- The unit must be level to work properly. Use the included adjustable levelers to level.
- Keep Hex Wrench as the bolts may need to be tightened in the future.

STEP 1

Place Top (A), Base (C), Front Rail (E), Back Rail (F) and Side Panels (H), (I) on a soft cloth.

Insert Cam Lock Screws into pre-drilled holes in Top (A), Front Rail (E), Back Rail (F) and Side Panels (H), (I), then tighten. (See Figure 1)

Attach Magnets to Front Rail (E) by inserting Wood Screws (short) into pre-drilled holes, then tighten. (See Figure 2)

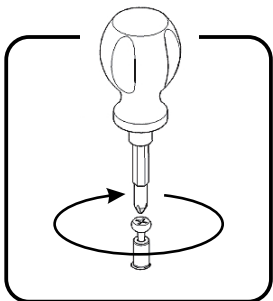
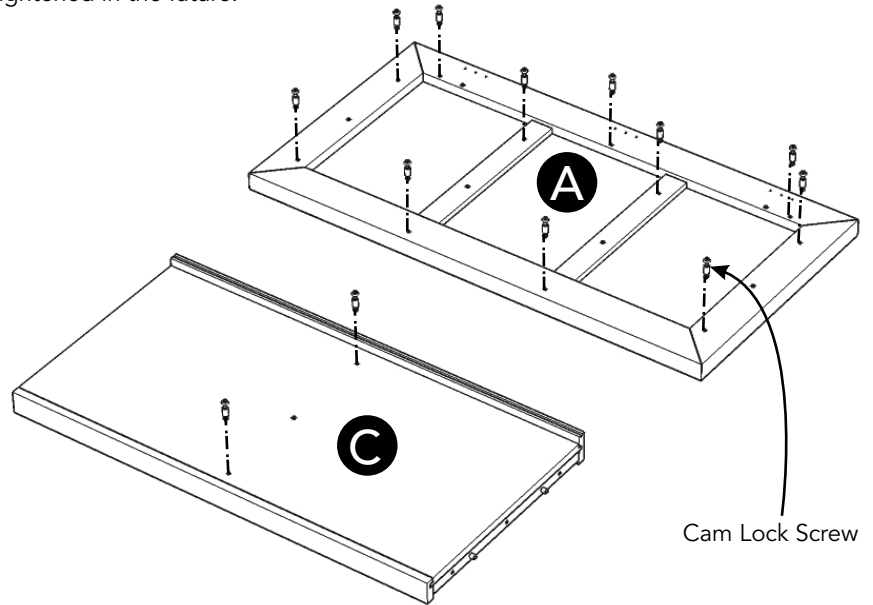


Figure 1

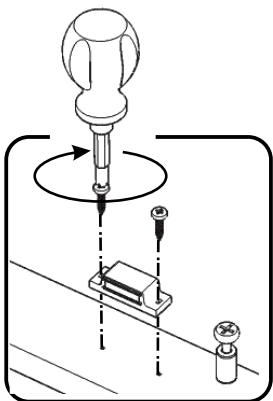
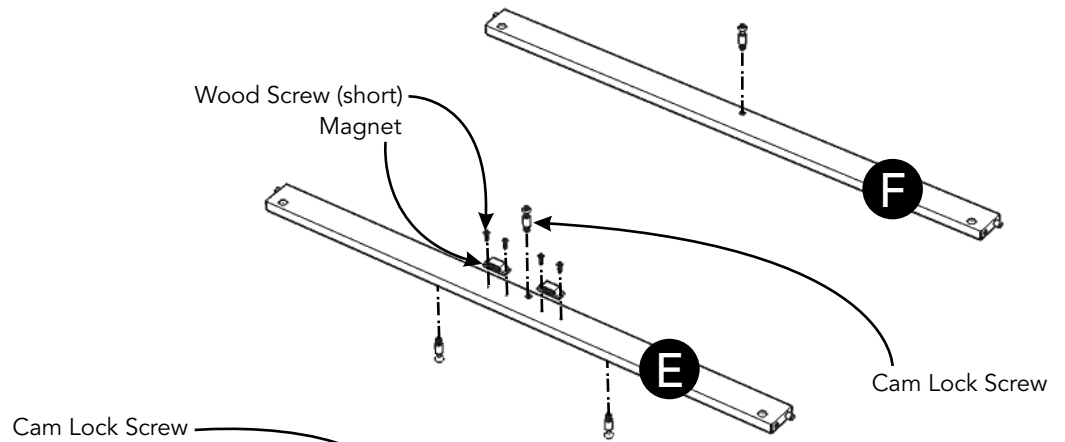
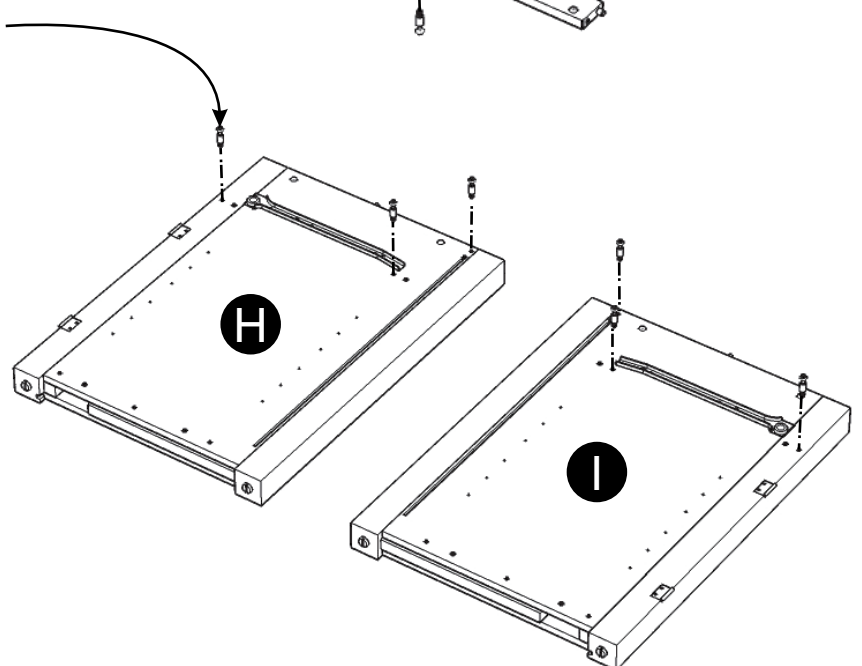


Figure 2



Assembly Instructions 3/8

STEP 2

Attach Middle Panel (J) to Front Rail (E) and Back Rail (F) with Cam Locks.
(See Figure 3)

Attach Base (C) to unit with Cam Locks.

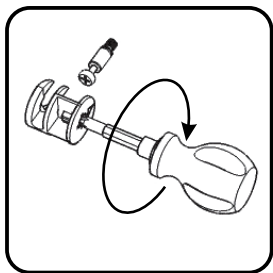
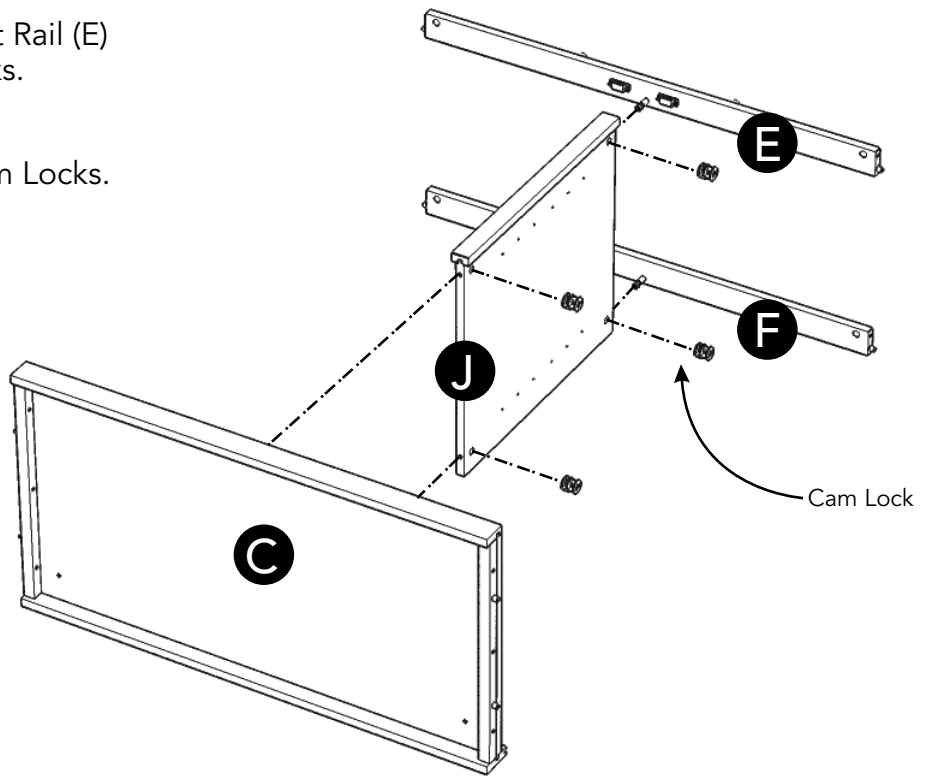


Figure 3



Cam Lock

STEP 3

Attach unit to Side Panel (H) with Cam Locks and Head Cap Bolts.
(See Figure 4)

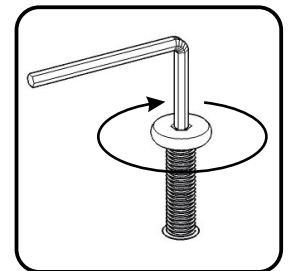
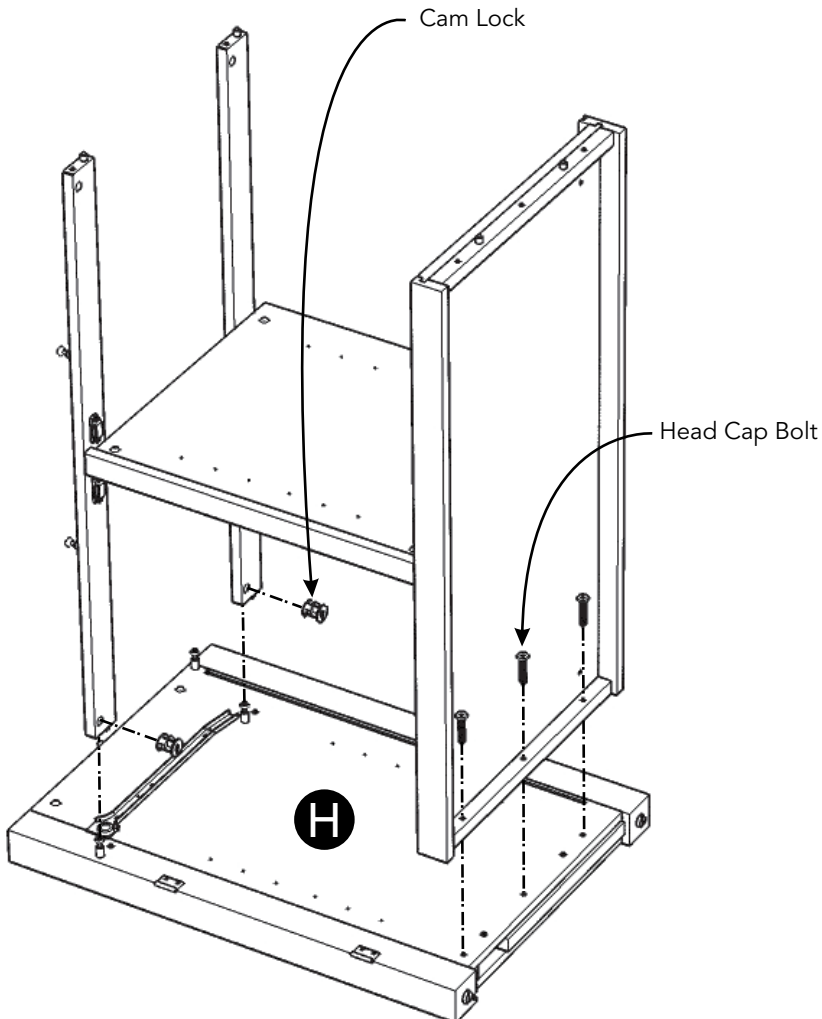


Figure 4

Assembly Instructions 4/8

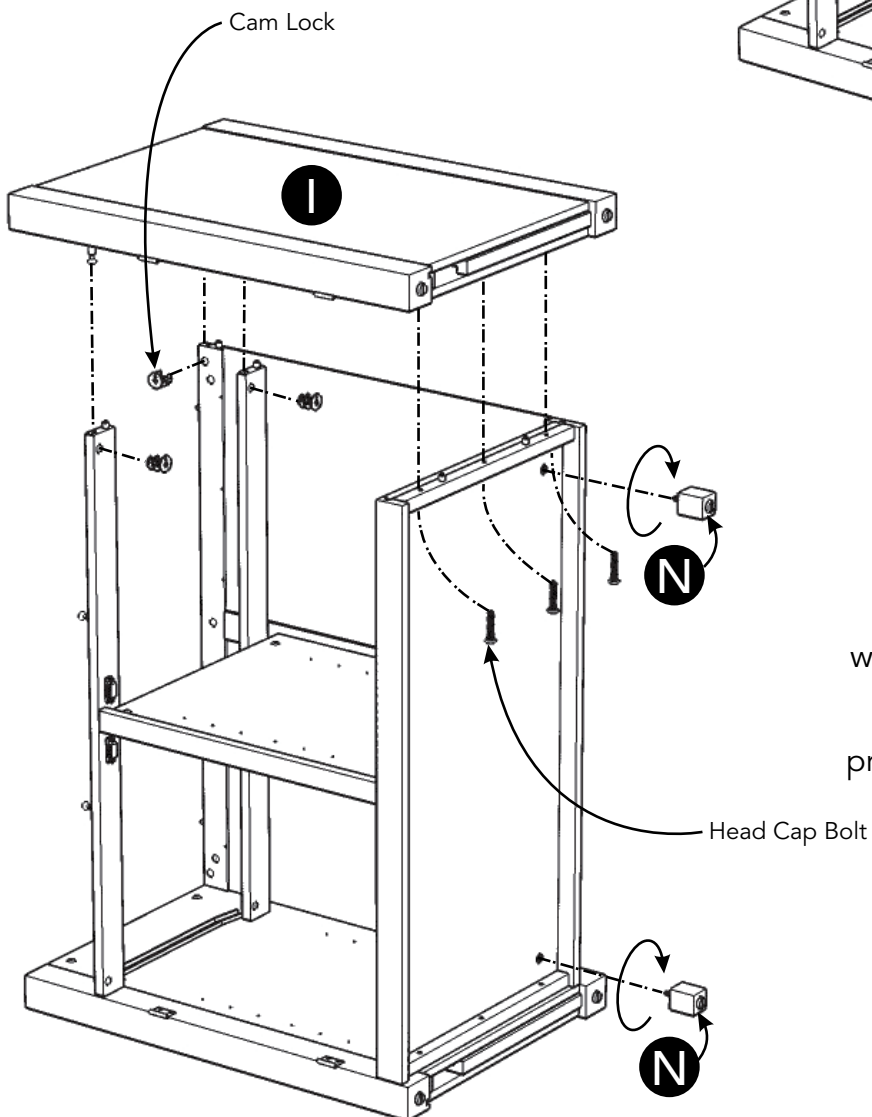
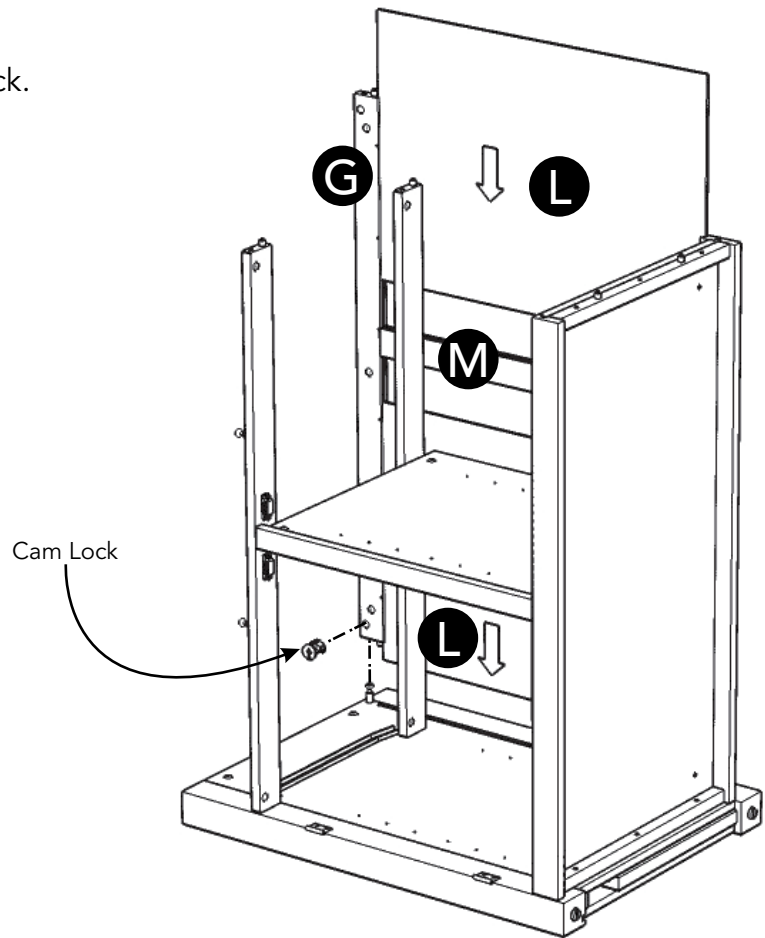
STEP 4

Attach Back Rail (G) to unit with Cam Lock.

Slide Back Panel (L) into position.

Slide Upright (M) into position.

Slide Back Panel (L) into position.



STEP 5

Attach Side Panel (I) to unit with Cam Locks and Head Cap Bolts.

Insert Supports (N) into pre-drilled holes in unit, then tighten.

Assembly Instructions 5/8

STEP 6

Place Top (A) and Leaf Top (B) upside down on a soft cloth.

Attach Leaf Top (B) to Top (A) with Wood Screws.
(See Figure 5)

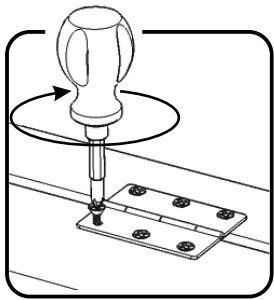
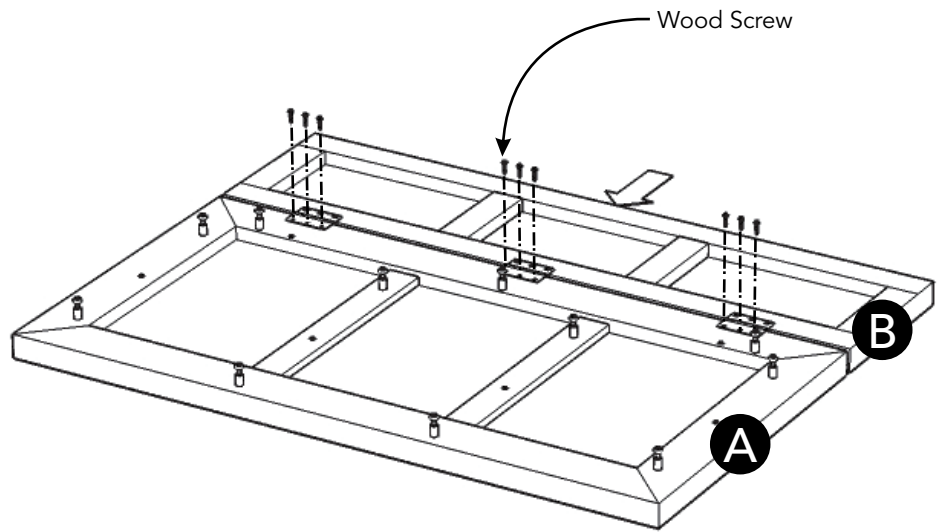


Figure 5



STEP 7

Turn unit from Step 5 to its' upright position.

Attach Dividers (K) to unit with Cam Locks.

Attach top unit to unit with Cam Locks.

Level unit by adjusting the adjustable levelers on bottom of unit. (See Figure 6)

Note: Unit must be level to proceed.

Insert Wood Screws (short) into pre-drilled holes in unit, then tighten.

Note: Unit must be level before tightening these screws.

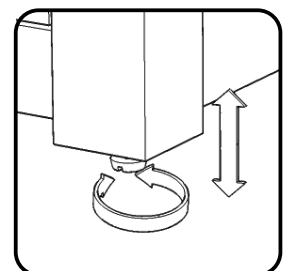
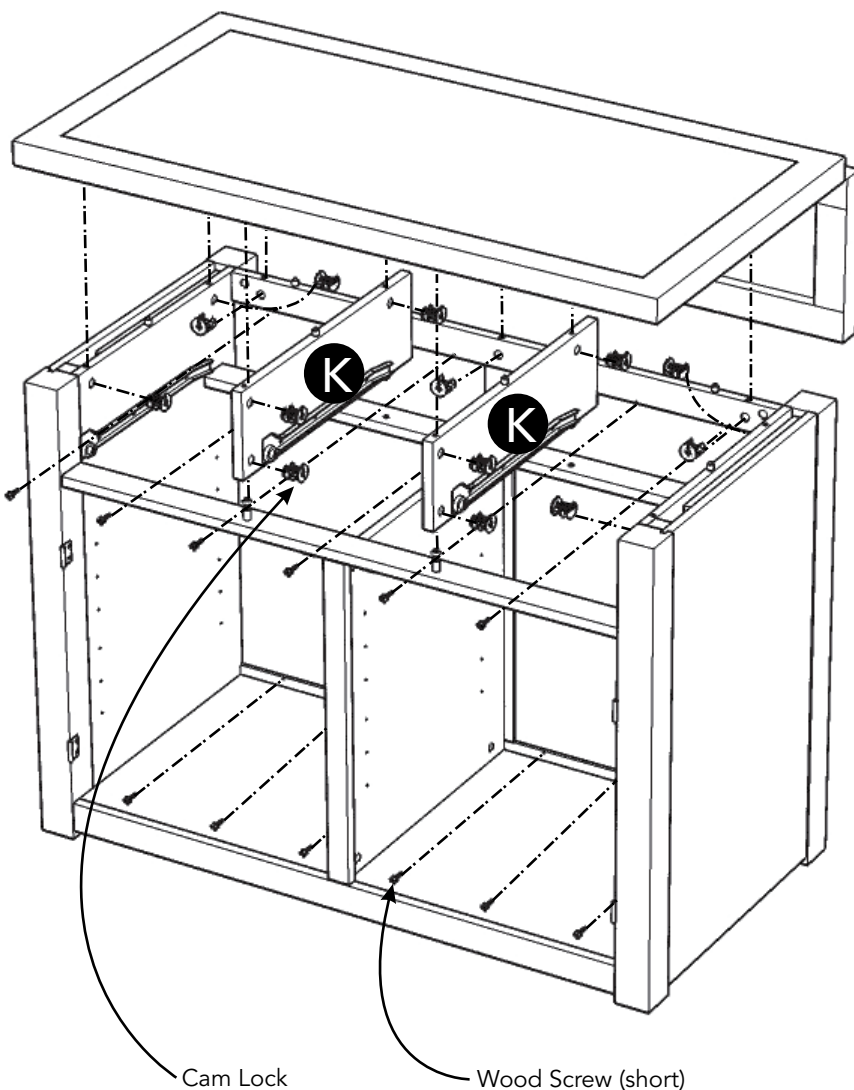
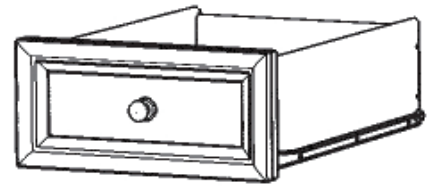
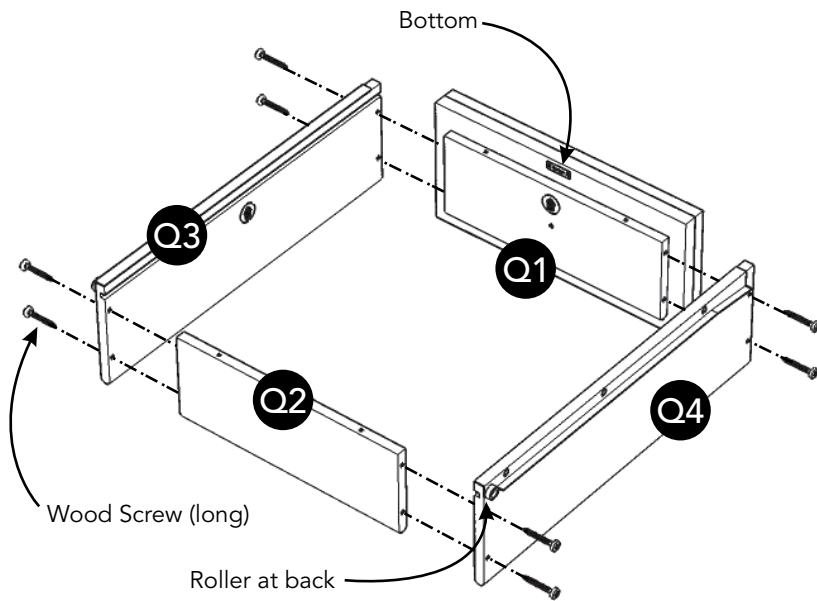


Figure 6

Assembly Instructions 6/8

Drawer (Q)



STEP 8

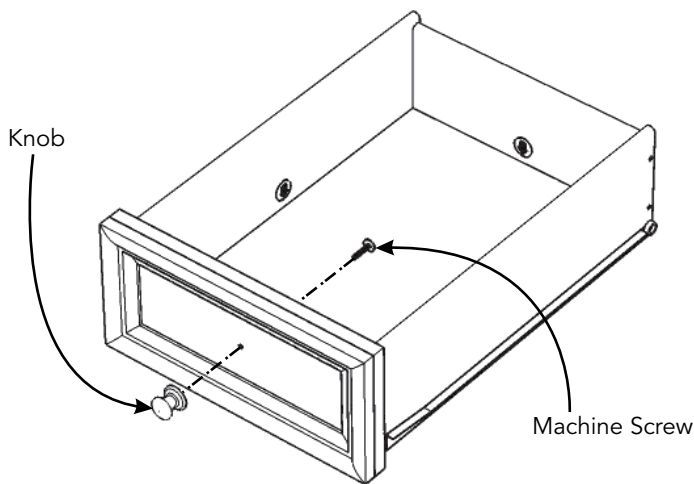
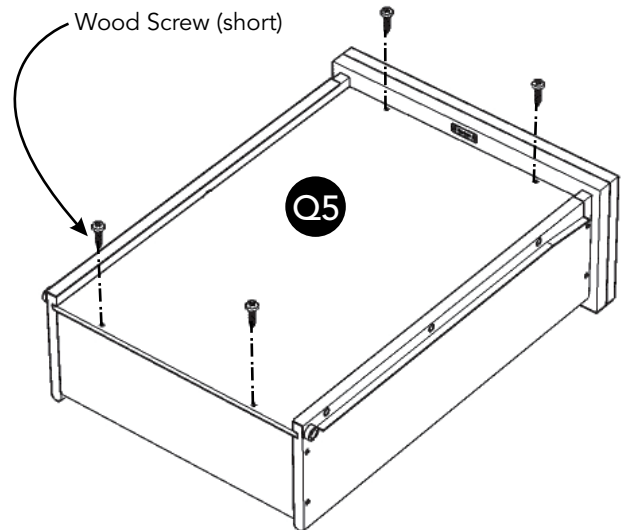
Attach Drawer Front (Q1) and Drawer Back (Q2) to Drawer Side (Q3) with Wood Screws (long).

Attach Drawer Side (Q4) to unit with Wood Screws (long).

STEP 9

Slide Drawer Bottom (Q5) into groove.

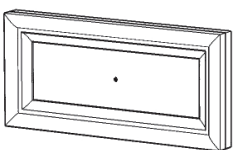
Attach Drawer Bottom (Q5) to unit with Wood Screws (short).



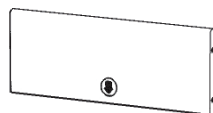
STEP 10

Attach Knob with Machine Screw.

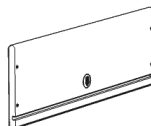
Part List



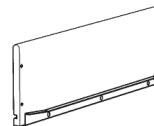
Q1.
Drawer Front
3 pcs.



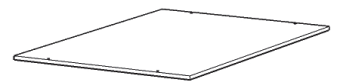
Q2.
Drawer Back
3 pcs.



Q3.
Drawer Side
3 pcs.



Q4.
Drawer Side
3 pcs.



Q5.
Drawer Bottom
3 pcs.

Assembly Instructions 7/8

STEP 11

Insert Adjustable Pins into side panels and middle panel at desired level.

Place Shelves (D) into position.

Attach Doors (O) and (P) to unit by sliding door hinges into side panel hinges. (See Figure 7)

Attach Knobs to Doors (O) and (P) with Machine Screws. (See Figure 8)

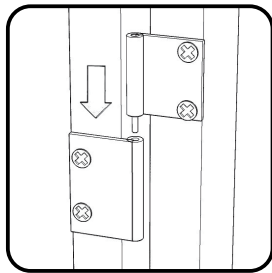
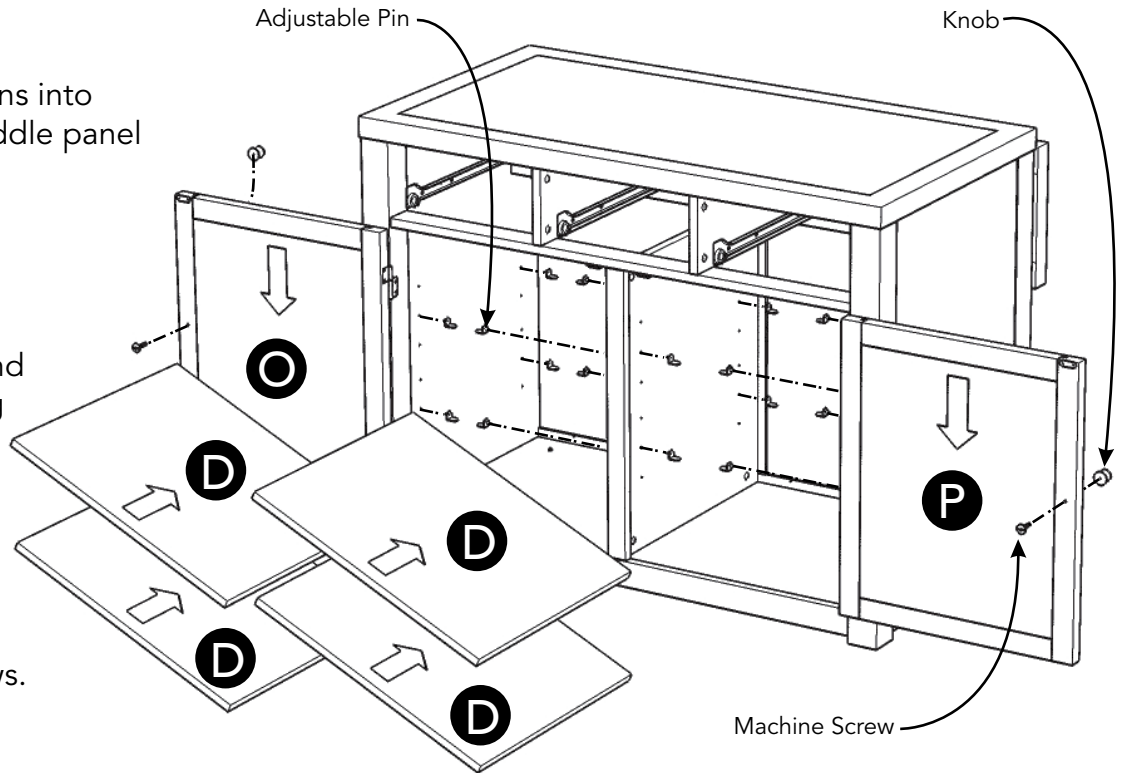


Figure 7

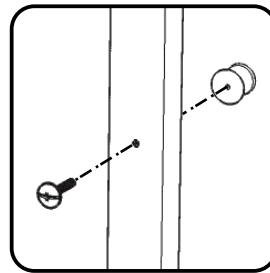
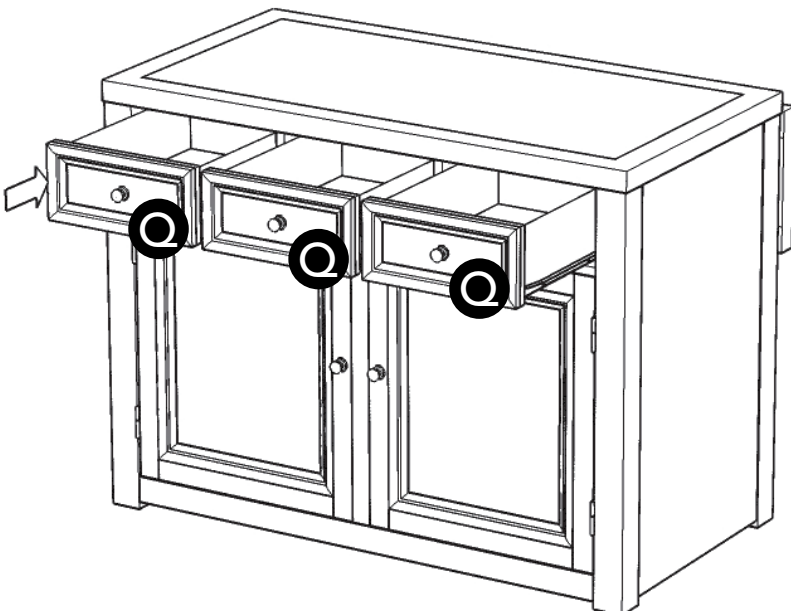


Figure 8



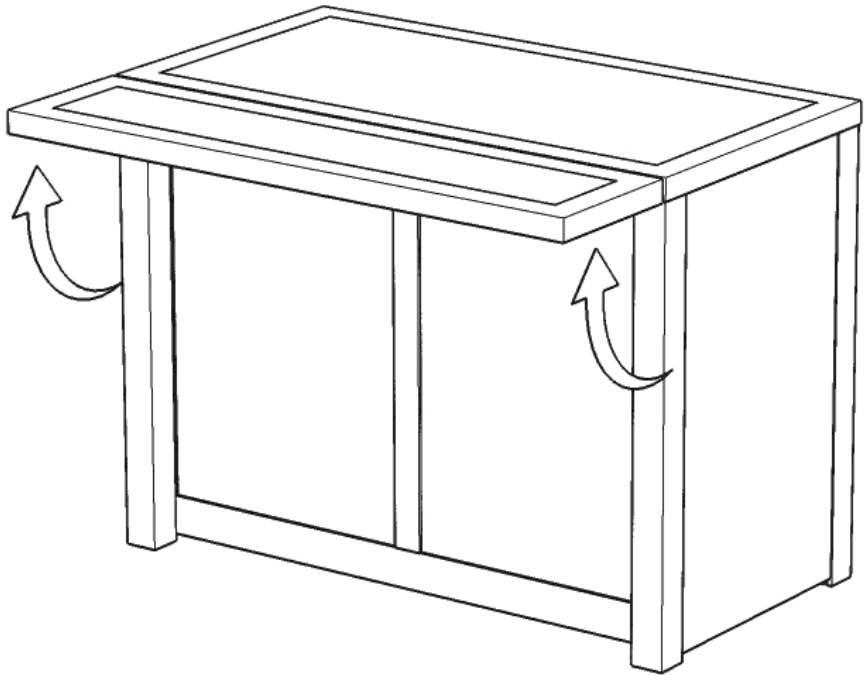
STEP 12

Slide Drawers (Q) into position.

Top Extension Instructions

STEP 13

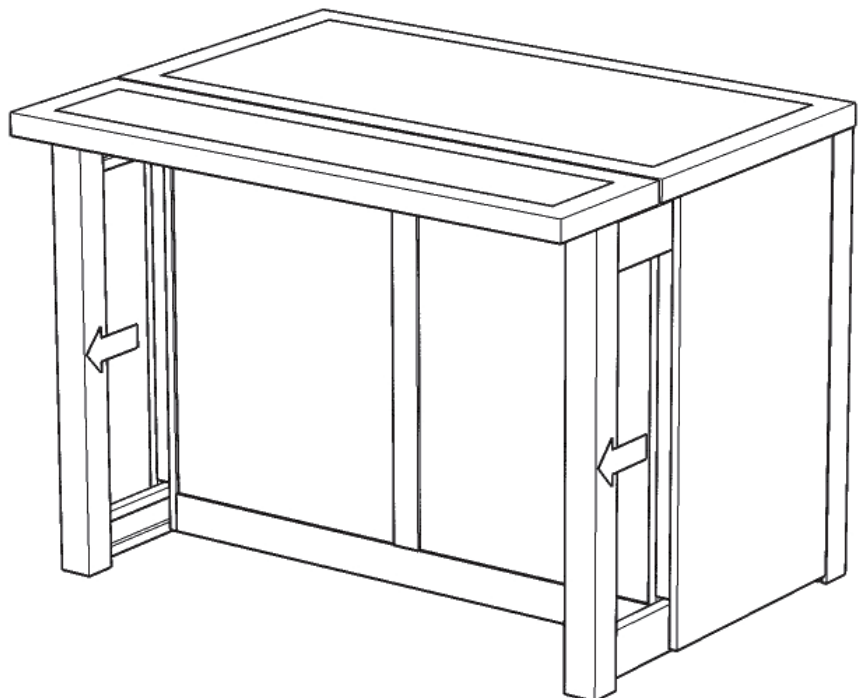
Lift up leaf top.



STEP 14

Holding leaf top up, pull out a back post from unit; then pull out other back post.

Note: Unit must be level to work properly.



CARE INSTRUCTIONS

NEVER

allow liquids to remain on furniture.
Absorption causes parts to warp
and split and finishes to delaminate.

NEVER

use glass cleaners on
finished furniture. Ammonia
chemically attacks the finish.



Do not use power tools
above 8 volts to assemble.

**PREVENT
CRACKING**



Do not place
in direct sunlight.

**PREVENT
FADING**



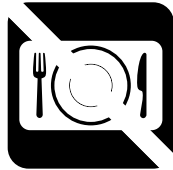
Do not write
directly on surface.

**PREVENT
MARKING**



Do not place hot
objects on surface.

**PREVENT
FINISH DAMAGE**



Do not use rubber
based placemats.

**PREVENT
DISCOLORING**



Do not use commercial
waxes and polishes.

**PREVENT
YELLOWING**

CLEAN

with a soft cloth moistened
in lukewarm soap and water.
Buff with a dry clean cloth.



Home Styles will provide replacements free of charge for missing or damaged hardware or parts within 30 days of purchase. Digital images of the defective parts may be required. If the product was not purchased from an authorized retail affiliate, Home Styles is under no obligation to provide replacement parts. Parts are not available for fully assembled items nor are parts available for sale. Replacements for missing or damaged hardware or parts may be requested at:

www.homestyles-furniture.com/customer-service/replacement-parts

Home Styles Customer Service: www.homestyles-furniture.com,
servicedesk@homestyles-furniture.com, 888-680-7460, 877-831-0319