

# F1807 x FIP Brass PEX Adapter

Job Name	_____
Location	_____
Engineer	_____
Contractor	_____
Tag	_____ PO# _____

## Specifications

Manufactured to the highest industry standards, Jones Stephens' F1807 lead-free brass crimp fittings provide precise, leak-free connections. The secure and reliable crimp fitting method provides full, immediate strength upon installation, with 360-degree uniform pressure. Approved for use with PEX piping.

## Applications

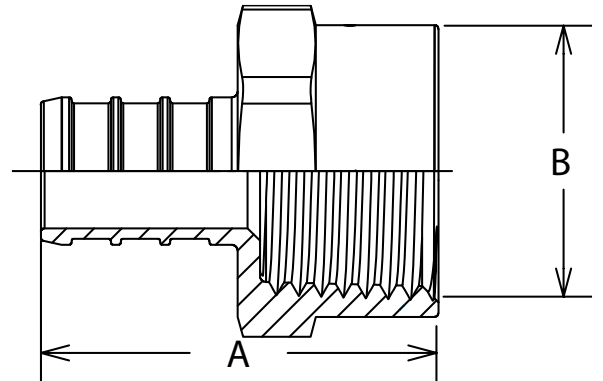
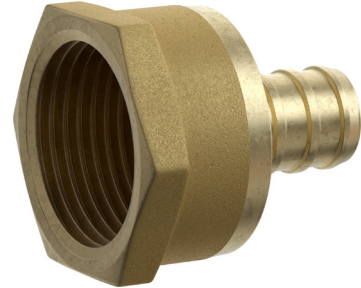
Jones Stephens' F1807 x FIP Brass PEX Adapters are approved for use with commercial and residential non-potable water applications.

## Materials

Lead-free brass

## Certifications/Listings/Approvals

- ASTM F1807-2019b
- NSF/ANSI/ CAN 372-2022 and 61-2021
- NSF/ANSI 14-2016a
- CSA B137.5-2017
- Lead Law Compliant



	ID	OD
F1807 Specified Dimensions	in (mm)	in (mm)
1/2" End Connection	.37(9.30)	.47(11.98)
3/4" End Connection	.55(13.85)	.67(16.96)
1" End Connection	.72(18.22)	.86(21.74)

**PRODUCT OFFERING ON PAGE 2**

**Dimensions and Product Offering**

PART NO.	SIZE	A - IN (MM)	A TOLERANCE ±IN(MM)	B - IN (MM)	B TOLERANCE ±IN(MM)	WEIGHT - LBS (G)	WEIGHT TOLERANCE ±LBS (G)
<b>C76041LF</b>	0.50"	1.27 (32.30)	0.01 (0.20)	0.50"-14 NPT	0.002 (0.05)	0.07 (31.75)	0.02 (10.89)
<b>C76042LF</b>	0.50" F1807 x 0.75" FIP	1.32 (33.60)	0.01 (0.20)	0.75"-14 NPT	0.002 (0.05)	0.10 (45.36)	0.02 (10.89)
<b>C76043LF</b>	0.75"	1.32 (33.60)	0.01 (0.20)	0.75"-14 NPT	0.002 (0.05)	0.11 (49.90)	0.02 (10.89)
<b>C76044LF</b>	1.00"	1.65 (41.80)	0.01 (0.20)	1.00"-11.5 NPT	0.002 (0.05)	0.19 (86.18)	0.02 (10.89)