



WARNING

- Turn power off before inspection, installation or removal.
- Properly ground electrical enclosure.
- Follow all NEC and local codes.
- Use only UL or IEC approved wire for input/output connections.

ELECTRICAL REQUIREMENTS

- The LED driver must be supplied with 120-277Vac, 50/60Hz per product label and connected to an individual properly grounded branch circuit, protected by a 15A or 20A circuit breaker.
- Min 90°C supply conductors.

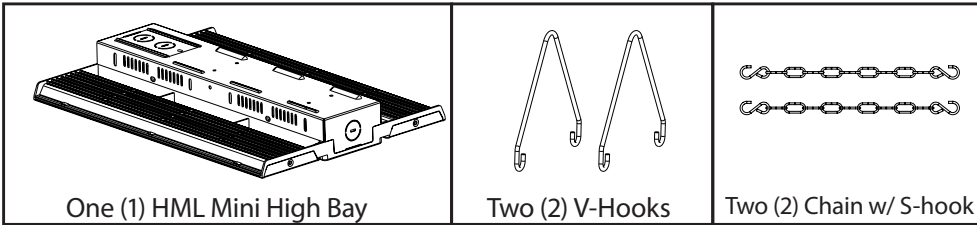
GROUNDING INSTRUCTION

- The grounding and bonding of the overall system shall be done in accordance with National Electric Code(NEC) Article 600 and local codes.

ATTENTION

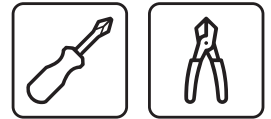
- LED Commercial High Bay installation requires knowledge of luminaire electrical systems. If not qualified, do not attempt installation. Contact a qualified electrician.
- Disconnect power before installing the product or servicing it.
- Wait until fixture has cooled down before installing or servicing the fixture.

What's In The Box

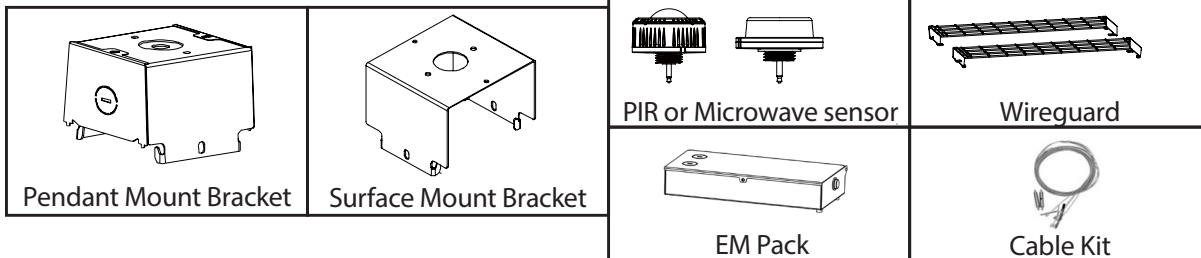


Tools Needed

This HML requires very few tools for installation. A screwdriver and a pair of wirecutters are needed for wiring.

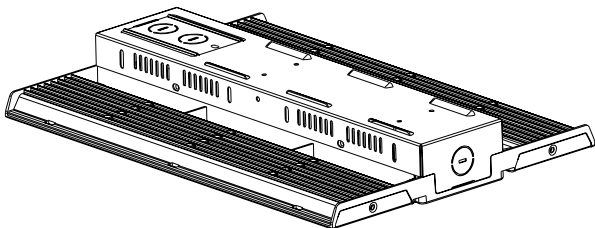


Optional Accessories (Sold Separately)

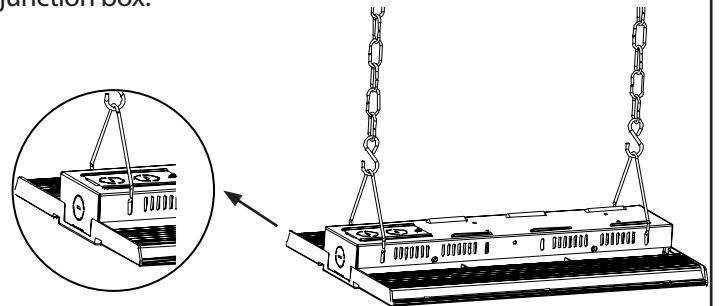


Installation Instruction: V-hook and Chain

- 1 Carefully unpack the fixture from its packaging. Inspect product for defects due to shipping.

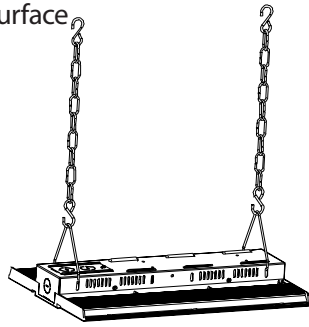


- 2 Attach the provided chain securely to the included wire hangers, then insert the wire hangers into the slotted holes, as shown below, located at each end of the fixture junction box.

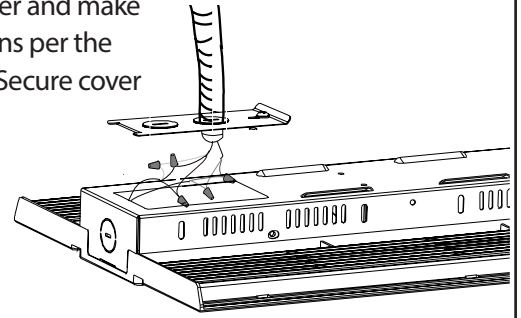


Installation Instruction: V-hook and Chain

- 3** Attach chain kit to mounting surface (Fasteners provided by others)

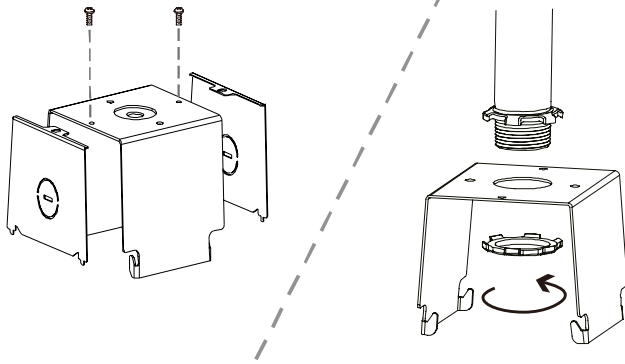


- 4** Remove wire cover and make wiring connections per the wiring diagram. Secure cover when complete.

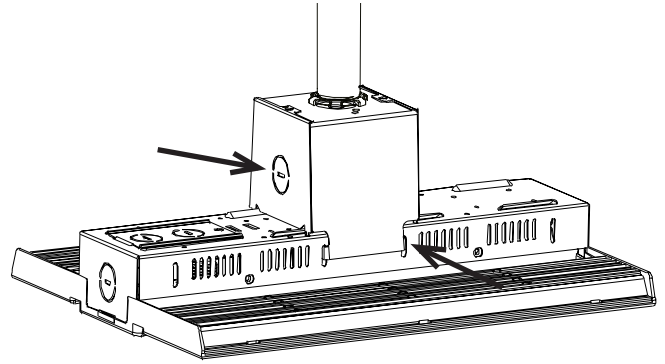


Installation Instruction: Pendant Mount

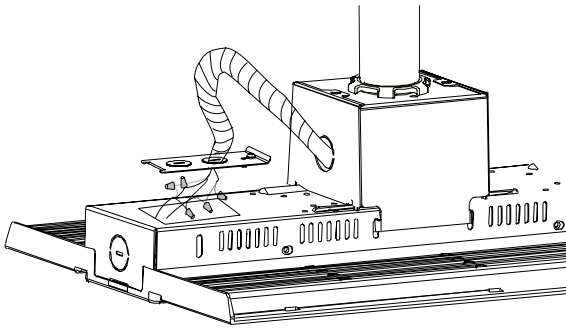
- 1** Remove end plates from pendant box and attach pendant box to 3/4" conduit (provided by others).



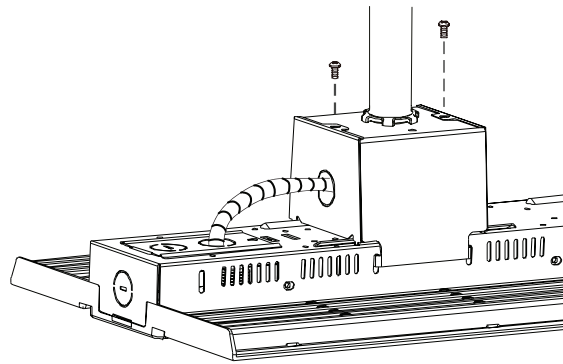
- 2** Insert the tabs of the pendant box into the corresponding slots of the fixture junction box. Remove the knockout of the plate.



- 3** Route wiring through the pendant box, end plate knockout, and fixture wire cover. Make sure to adequately protect the wiring. Make wiring connections per the wiring diagram.

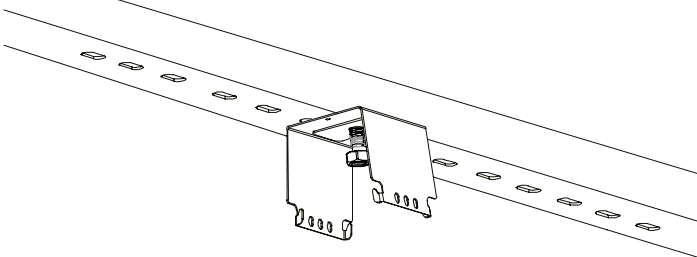


- 4** Secure end plates onto pendant box with provided hardware.

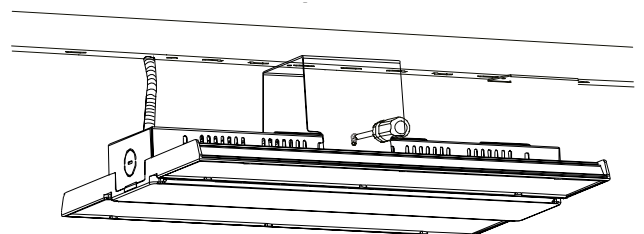


Installation Instruction: Surface Mount

- 1** Install the surface mount bracket in the desired location. (Fasteners provided by others)

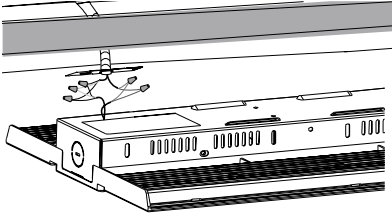


- 2** Insert the tabs of the surface bracket into the corresponding slots on the fixture junction box. and secure with screws.



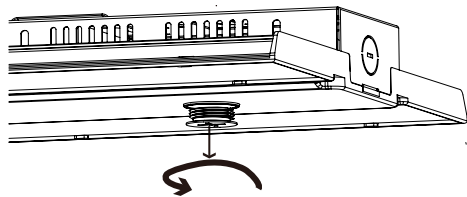
Installation Instruction: Surface Mount

- 3 Remove wire cover make wiring connections per the wiring diagram.

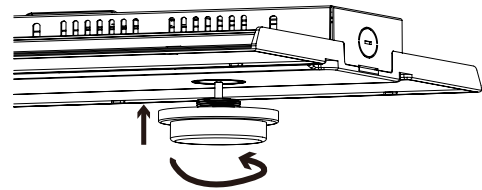


Installation Instruction: Sensor

- 1 Unscrew and remove sensor socket cover.

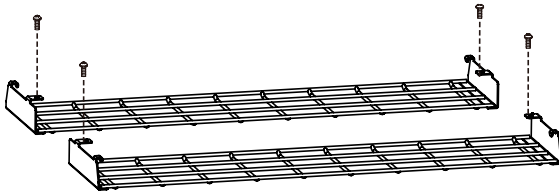


- 2 Align sensor with socket and screw sensor into fixture. Do not overtighten

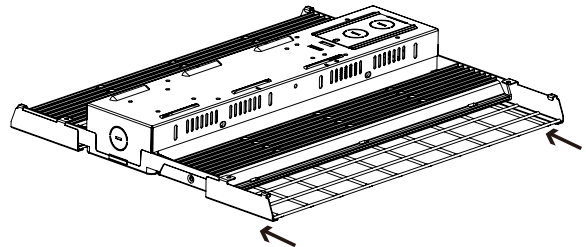


Installation Instruction: Wire Guard

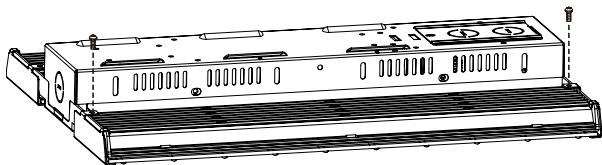
- 1 Remove mounting hardware from wire guards.



- 2 Slide the wire guards over each side of the fixture.



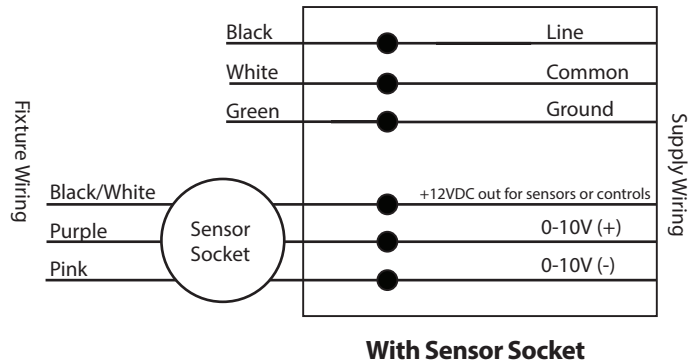
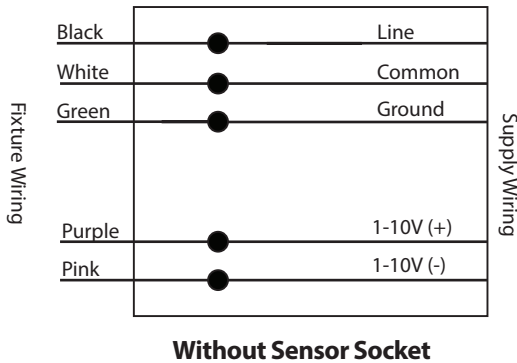
- 3 Secure wire guards with mounting hardware (4 pc)



Wiring Diagram

Wiring Connections:

- Connect fixture Black to Line wire
- Connect fixture White to Common/Neutral wire
- Connect fixture Green to Ground wire.
- Purple and Pink leads are for 0-10V dimming leads. Connect to low voltage wiring only.
- If sensor is installed (on capable models) do not use 0-10V leads. Use of sensor and dimming at the same time may cause product issues.
- Cap off any unused wiring.



This device complies with part 15 of the FCC Rules. Operation is subject to the following two conditions: (1) This device may not cause harmful interference, and (2) this device must accept any interference received, including interference that may cause undesired operation.

NOTE: This equipment has been tested and found to comply with the limits for a Class A digital device, pursuant to part 15 of the FCC Rules. These limits are designed to provide reasonable protection against harmful interference when the equipment is operated in a commercial environment. This equipment generates, uses, and can radiate radio frequency energy and, if not installed and used in accordance with the instruction manual, may cause harmful interference to radio communications. Operation of this equipment in a residential area is likely to cause harmful interference in which case the user will be required to correct the interference at his own expense.

NICOR LED Express Limited Warranty

Subject to the exclusions below, each NICOR LED product, including the LED electronics and components of a property installed NICOR LED product, will be free from defect in materials and workmanship for a period of five (5) years from the original date of purchase. The product shall be considered defective only if 10% or more of the product's LED components fail. NICOR LED product warranty covers the following performance criteria: LED Light Output will be maintained above 70% of initial output; LED color temperature will not shift more than 200K in CCT; LED driver will operate within NICOR specifications; and the fixture finish, excluding natural aluminum or brass products, will not exhibit cracking, peeling, excessive fading, or corrosion during the warranty period. Exceptions apply as defined in NICOR's product specification sheets, which are incorporated by reference herein. This limited warranty is provided to you, the purchaser of the product identified on Seller's invoice, as your exclusive remedy and applies only to NICOR products that have been purchased from an authorized NICOR Distributor; the product was new and in an unopened NICOR package at the time of installation; and the NICOR product was installed by a licensed electrician or under the supervision of a licensed electrician and used by consumers in the United States or Canada when accompanied with this warranty. This warranty extends only to the first consumer purchaser and is not transferable. A consumer wishing to invoke the terms of this limited warranty must first obtain a RGA number within 30 days of discovery of the defect, and return the product to NICOR for inspection. Once verified to be covered by this limited warranty, NICOR will, at its sole discretion, repair, replace, or refund the purchase price of any product that does not conform to this limited warranty. If NICOR, at its sole discretion, determines that the product should be repaired or replaced, this warranty is limited to the reasonable, customary, and necessary costs and expenses associated with the repair/replacement. This warranty requires that all repair/replacement estimates and costs, including but not limited to equipment rental (if any), and any other cost or expense to be incurred in the repair/replacement of the product, be approved in advance and in writing by NICOR.

FAILURE TO OBTAIN NICOR'S ADVANCE WRITTEN APPROVAL OF ALL REPAIR/REPLACEMENT COSTS AND EXPENSES IN WRITING SHALL VOID THIS LIMITED WARRANTY. THIS LIMITED WARRANTY DOES NOT COVER THE FOLLOWING:

- Defects or damages resulting from improper installation, operation, storage, misuse or abuse, accident, or neglect;
- Defects or damages resulting from improper service, testing, adjustment, installation, maintenance, alteration, connection to out-of-specification electrical service, corrosive or damp environments, or connection to incompatible equipment or devices (e.g., connecting non-dimmable lighting products to dimmers);
- Damage which occurs in transit;
- Power surges or overheating due to external conditions
- Acts of nature including but not limited to lightning strikes

ANY IMPLIED WARRANTIES, INCLUDING WITHOUT LIMITATION, THE IMPLIED WARRANTIES OF MERCHANTABILITY AND FITNESS FOR A PARTICULAR PURPOSE SHALL BE LIMITED TO THE DURATION OF THIS LIMITED WARRANTY, OTHERWISE THE REPAIR, REPLACEMENT, OR REFUND AS PROVIDED UNDER THIS EXPRESS LIMITED WARRANTY IS THE EXCLUSIVE REMEDY OF THE CONSUMER, AND IS PROVIDED IN LIEU OF ALL OTHER WARRANTIES, EXPRESS OR IMPLIED. IN NO EVENT SHALL NICOR BE LIABLE, WHETHER IN CONTRACT OR IN TORT (INCLUDING NEGLIGENCE) FOR DAMAGES IN EXCESS OF THE PURCHASE PRICE OF THE PRODUCT, OR FOR ANY INDIRECT, INCIDENTAL, SPECIAL OR CONSEQUENTIAL DAMAGES OF ANY KIND, OR LOSS OF REVENUE OR PROFITS, LOSS OF BUSINESS OR OTHER FINANCIAL LOSS ARISING OUT OF OR IN CONNECTION WITH THE ABILITY OR INABILITY TO USE THE PRODUCT TO THE FULL EXTENT THESE DAMAGES MAY BE DISCLAIMED BY LAW.