

**BOSS**<sup>®</sup>  
AUDIO SYSTEMS

 **Bluetooth**<sup>®</sup>

 **SD**<sup>™</sup>

**BV7265B** **USER'S MANUAL**  
**BLUETOOTH<sup>®</sup> | IN-DASH SINGLE-DIN**  
**MP3-COMPATIBLE DIGITAL MEDIA**  
**AM/FM RECEIVER**  
FEATURING 3.2" (81 mm) WIDESCREEN  
DIGITAL TFT LCD MONITOR



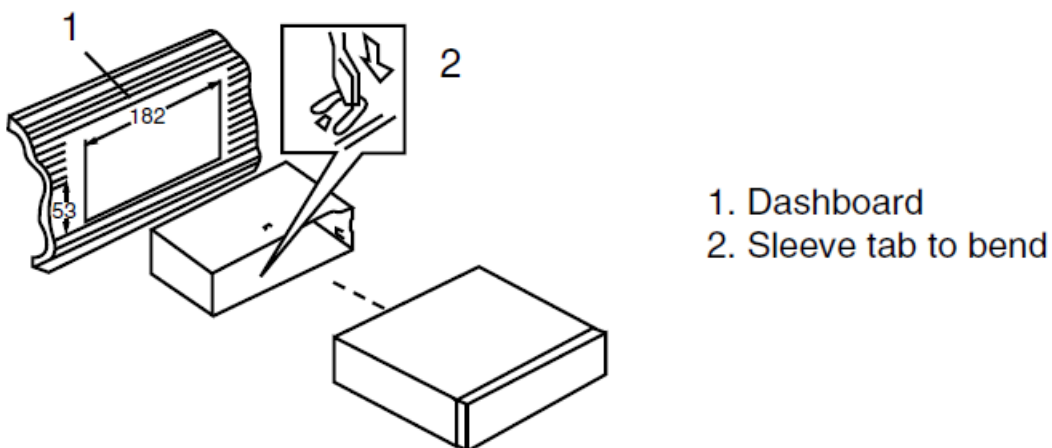
# Installation

---

## ATTENTIONS OF INSTALLATION

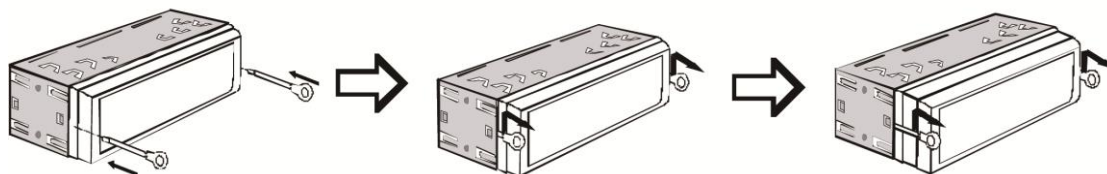
1. This player should be installed by professional technician.
2. please read the instruction and operation of equipment carefully before installing.
3. Make sure to connect other wires before power connection.
4. To avoid short circuit. Please make sure all the exposed wire are insulating.
5. please fix all the wires after installation.
6. please make connection to the player accordingly to this instruction manual. Wrong connection may cause damage.
7. This player only fit for 12V DC device and please make sure your car belongs to this kind of cathode grounding electrical system.
8. Please connect the wires rightly. Wrong connection will cause malfunction or damage the electrical system.

## INSTALL THE UNIT



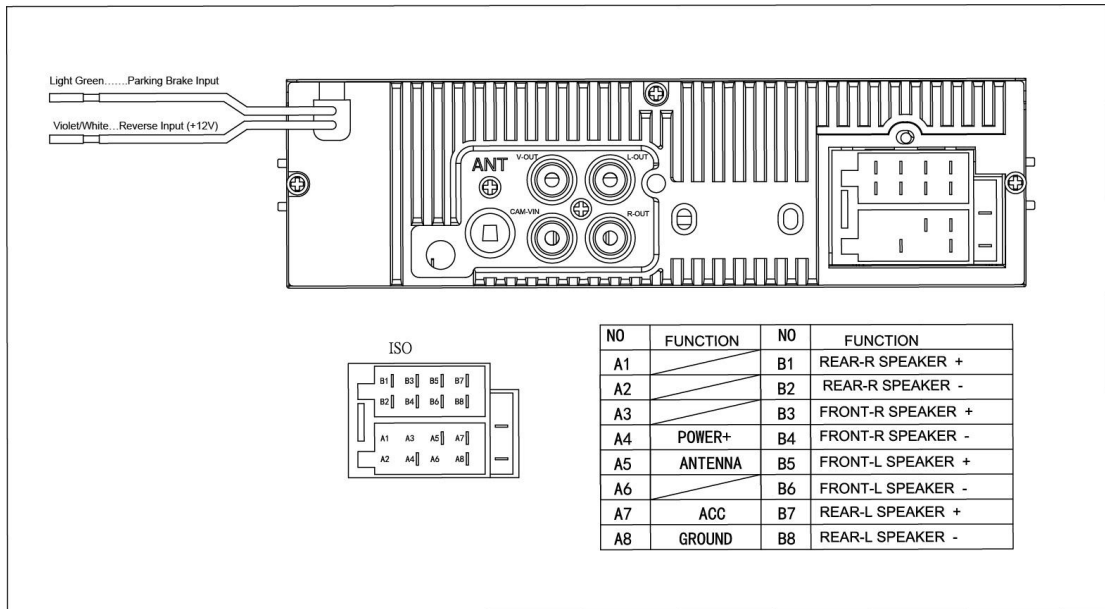
## REMOVE THE UNIT

Insert the keys supplied on the both sides of the unit until they click. Pulling the keys and makes them to remove the unit from the dashboard.



# Installation

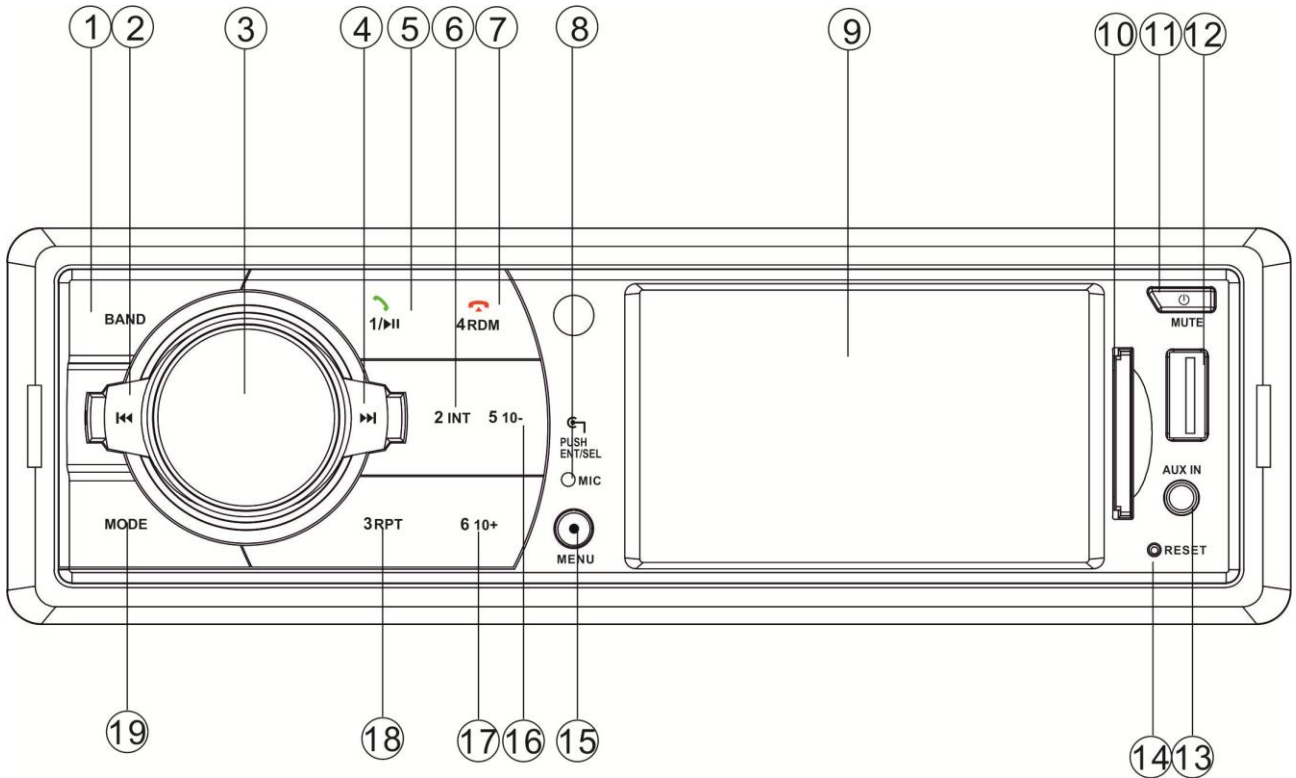
## WIRING CONNECTION



1. This player can only be used by the 12V DC cathode grounding electrical system.
2. Don't connect the terminals of the battery until the player is absolutely with well erection joint.
3. Please make sure to connect the yellow wire to the positive of the battery(+).
4. When change the fuse. Please make sure the specifications are same.
5. Using good quality speaker with 4-8 ohm can result in the best effect of the equipment.

# OPERATION

## LOCATION OF KEYS



- |                           |                  |
|---------------------------|------------------|
| 1. BAND                   | 10. SD CARD SLOT |
| 2. ◀◀ Seek down button    | 11. ⏸ MUTE       |
| 3. PUSH/ENT/SEL           | 12. USB          |
| 4. ▶▶ Seek up button      | 13. AUX IN       |
| 5. 1/   Play/pause button | 14. RESET        |
| 6. 2 INT                  | 15. MENU         |
| 7. 4 RDM                  | 16. 5 10-        |
| 8. MIC                    | 17. 6 10+        |
| 9. TFT                    | 18. 3RPT         |
|                           | 19. MODE         |

# OPERATION

## Key functions


KEYS	ACTIO N	RADIO	USB/SD	AUX	BT
POWER/ MUTE	Short	Power on / Mute on/off	Power on / Mute on/off	Power on / Mute on/off	Power on / Mute on/off
	Long	Power off	Power off	Power off	Power off
MENU	Short	Main menu	Main menu	Main menu	Main menu/Transfer
	Long	/	file search / Music/Photo/Video change(+ I<< button)	/	/
MODE	Short	source change	source change	source change	source change
	Long	BT off/link	BT off/link	BT off/link	BT off/link
BAND	Short	band change	Music/Photo/Video change	/	/
	Long	Auto store	/	/	/
I<<	Short	Seek down	previous file	/	previous file
	Long	Manual turn down	FR	/	/
>>I	Short	Seek up	next file	/	next file
	Long	Manual turn up	FF	/	/
1/  	Short	Preset 1 recall / Answer call	Answer call / Play/Pause	Answer call	Answer call / Play/Pause
	Long	Save station to P1	/	/	/
2/INT	Short	Preset 2 recall / Reject call	Reject call / INT on/off	Reject call	/
	Long	Save station to P2	/	/	/
3/RPT	Short	Recall preset 3	Repeat on/off	/	/
	Long	Save station to P3	/	/	/
4/RDM 	Short	Preset 4 recall / Reject call	Random on/off / Reject call	Reject call	Reject call / finish call
	Long	Save station to P4	/	/	/
5/10-	Short	Preset 5 recall	-10 skip	/	/
	Long	Save station to P5	/	/	/
6/10+	Short	Preset 6 recall	+10 skip	/	/
	Long	Save station to P6	/	/	/
VOL	Rotary	Volume +/-	Volume +/-	Volume +/-	Volume +/-
SEL (push VOL)	Short	BAS/TRE/BAL/FAD/EQ /LOUD	BAS/TRE/BAL/FAD/EQ/L OUD	BAS/TRE/BAL/FAD/EQ/L OUD	BAS/TRE/BAL/FAD/EQ/L OUD
	Long	/	/	/	/

# OPERATION

---

## Basic Operation

### Turn on/off the unit and mute function

Press  MUTE button to turn on the unit. When the unit is on. Shortly press this button for mute on/off. Press and hold it for 2 seconds to turn off the unit.

### Audio setting

Repeatedly press **VOL** knob for the audio menu:

BAS(Bass)-TRE(Treble)-BAL(Balance)-FAD(Fader)-EQ-LOUD

In each item rotating **VOL** knob to set them.

### Switch source

Shortly press **MODE** button to change source. Also shortly press **MENU** button into the main menu. Rotating the **VOL** knob to enter other source or settings item.

### Main menu adjustment

Shortly press **MENU** button into the main menu. Rotating the **VOL** knob to select the SETTINGS.

There are below items:

Language-Time-PAL/NTSC-Factory default-Time mode- Radio Area--Brightness

-Contrast-Hue

In each item rotating **VOL** knob to set them.

### Reset the unit



Press **RESET** button to reset the unit. It is activated for the following reasons:

- a) Some buttons do not operate.
- b) Error symbol shows on the display.

**Note:** if the **RESET** function is activated, All the memory will be lost.

## Radio Operation



### Receive a radio station

In RADIO source press **BAND** button to select desired band. Shortly press  button to receive the desired radio station. Press and hold  button for manual tuning the frequency.

### Auto Store:

Press **BAND** button for 2 seconds to auto store stations to band 1~3.

### Manually store station & recall preset station

Tuning to a station with  or  button. Press and hold one of the 1- 6 preset button for 2 seconds. The current station is stored into the number button. Shortly press the preset button (1~6) to directly listen the station that saved in the corresponding preset button.

## USB Operation

When an USB driver inserted to the unit, the unit will play the MP3/WMA file automatically. If an USB drive is already inserted in the unit. Keep pressing **MODE** button shortly until the USB mode display appears.

### Select file


Press  /  button to skip to next/previous file. Hold  /  button to fast forward or

# OPERATION

---

fast reverse.

## Play/Pause

Press  button to pause/playing the file.

## INT function

Press **INT** button (on remote) to play the first 10 seconds each file. Press it again to cancel this function.

## RPT function

Press **RPT** button (on remote) to select repeat mode: RPT ONE / RPT ALL (default).

## Random function

Press **RDM** button (on remote), all files will be played randomly. Press it again to cancel this function.

## +10/-10 file skip

Press **5/-10** button to skip back 10 file playing. Press **6/+10** button to skip forward 10 file playing.

## Search song

Press and hold **BAND** button for 2 seconds. It will list all the songs on the display. Using **VOL+/-** button to select the desired song then press **VOL** knob to play.

## Video/Photo/Music changing

**Way 1:** Shortly press **BAND** button to change Video/Photo/Music mode.

**Way 2:** Press and hold **MENU** button for 2 seconds. It shows the file search screen. Press **I<<** button. One of the **MUSIC/VIDEO/PHOTO** symbol will be active. Rotating **VOL** knob to desired symbol then press **VOL** knob. The corresponding source file will be playing.

## AUX IN operation



Connecting the signal to the R/L IN connector behind the unit. Then pressing **MODE** button to switch to AUX IN mode.

## Bluetooth Operation

### Pairing

On mobile phone, select the Bluetooth item searching the Bluetooth device. "**Boss Audio BV7265B**" should appear in the list, select "**Boss Audio BV7265B**" and then input password "0000" If it needs a password. When successful paired, the BT mark will be shown on the display.

### Bluetooth Audio

Press **MODE** button to switch to BT mode. It will play a song of your mobile phone automatically. Press  key to pause the song. Press  button to select next/previous song.

### Answering / rejecting an incoming call

When there is a phone is coming in. Press  to answer the call. Press  key to reject the call. When finished a conversation, press  to hang up this call.

### Transfer the call between mobile phone and unit

During the talking mode, you can press **MENU** button to transfer the phone call between the mobile phone and the unit.

# OPERATION

---

## **Disconnect the Bluetooth**

When the mobile phone paired with the unit. If you want to disconnect the Bluetooth. Press and hold **MODE** button for 2 seconds to disconnect/re-connect the Bluetooth.

**Other operation please reference the Key functions table above.**



# TROUBLE SHOOTING

## GENERAL

Power Supply Requirements : DC 12 Volts, Negative Ground  
 Chassis Dimensions : 178 (W) x 160 (D) x 50 (H)

### Tone Controls

- Bass (at 100 Hz) : ±10 dB  
 - Treble (at 10 kHz) : ±10 dB

Maximum Output Power : 4 x 40 watts

Current Drain : 10 Ampere (max.)

## RADIO

	FM	AM
Frequency Coverage	87.5 to 107.9 MHz	530 to 1710 kHz
IF	10.7 MHz	450 KHz
Sensitivity	4μV(S/N=30dB)	36dBuV(S/N=20dB)
Stereo Separation	>25dB	/

## TROUBLE SHOOTING

Before going through the checklist, check wiring connection. If any of the problems persist after checklist has been made, consult your nearest service dealer.

Symptom	Cause	Solution
No power.	The car ignition switch is not on.	If the power supply is connected to the car accessory circuits, but the engine is not moving, switch the ignition key to "ACC".
	The fuse is blown.	Replace the fuse.
No sound.	Volume is in minimum	Adjust volume to a desired level.
	Wiring is not properly connected.	Check wiring connection.
The operation keys do not work.	The built-in microcomputer is not operating properly due to noise.	Press the reset button.
The radio does not work. The radio station automatic selection does not work.	The antenna cable is not connected.	Insert the antenna cable firmly.
	The signals are too weak.	Select a station manually.



BOSS Audio Systems  
3451 Lunar Court • Oxnard, CA 93030  
[www.bossaudio.com](http://www.bossaudio.com)  
800-999-1236 US Toll-free  
805-751-4853 Customer Service  
Tech Support: [www.bossaudio.com/support](http://www.bossaudio.com/support)



0619

iPod® and iPhone® are trademarks of Apple, Inc. registered in the U.S. and other countries.  
BOSS Audio Systems is not affiliated with Apple, Inc.

The Bluetooth® word mark and logos are registered trademarks owned by Bluetooth SIG, Inc. and any use of such marks by BOSS Audio Systems is under license. Other trademarks and trade names are those of their respective owners.