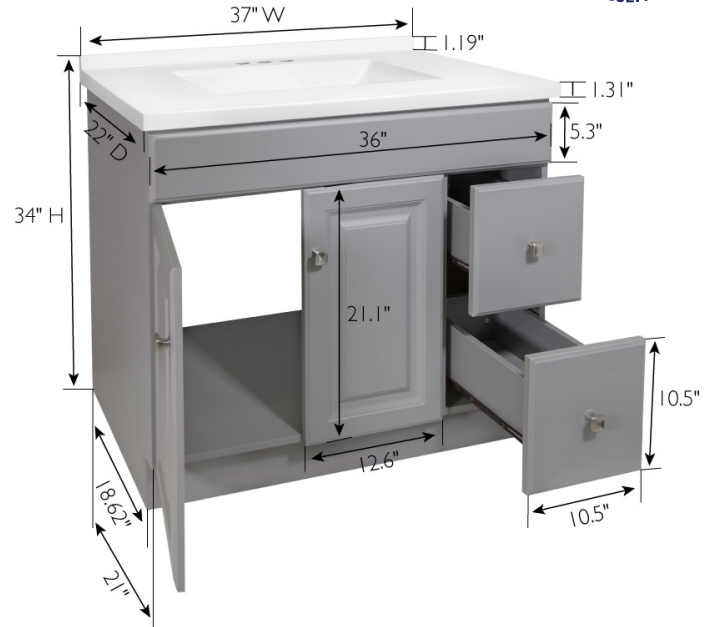


Wyndham 2-Door, 2-Drawer Vanity with Camilla II Cultured Marble 4 in. Centerset Solid White Top, Assembled, 37x22, Gray Base



## SPECIFICATIONS

<b>MATERIAL CONSTRUCTION:</b>	Wood/Cultured Marble
<b>ASSEMBLY REQUIRED:</b>	No
<b>ASSEMBLED DIMENSIONS:</b>	34" H x 37" L x 22" D
<b>ASSEMBLED WEIGHT:</b>	127.06 lbs.
<b>TOOLS NEEDED FOR INSTALLATION:</b>	100% Silicone
<b>CONSTRUCTION TYPE:</b>	Frameless
<b>HINGE STYLE:</b>	6-Way Adjustable
<b>DOOR STYLE:</b>	2 MDF Slab Doors
<b>DRAWER STYLE:</b>	2 MDF Drawers
<b>GLIDE STYLE:</b>	Standard Easy Glide
<b>FAKE DWR STYLE:</b>	N/A
<b>DRAWER #1 DIMENSIONS:</b>	10.5" L x 15.59" D x 10.5" H
<b>DRAWER #2 DIMENSIONS:</b>	10.5" L x 15.59" D x 10.5" H
<b>DRAWER CONSTRUCTION:</b>	Standard

<b>FACE FRAME MATERIAL:</b>	N/A
<b>SIDES MATERIAL:</b>	Particle Board
<b>BOTTOM MATERIAL:</b>	Particle Board
<b>TOE KICK INSET WIDTH:</b>	4.5"
<b>BACK PANEL MATERIAL:</b>	N/A
<b>BACK BRACE MATERIAL:</b>	Particle Board
<b>FAUCET TYPE:</b>	Lav Centerset
<b>NUMBER OF MOUNTING HOLES:</b>	3
<b>BOWL MATERIAL:</b>	Cultured Marble
<b>BACK SPLASH INCLUDED:</b>	Yes
<b>COLOR:</b>	Solid White
<b>NUMBER OF BOWLS:</b>	1
<b>BOWL DIMENSIONS:</b>	5.4" H x 19.2" W x 12.5" D
<b>BOWL SHAPE:</b>	Rectangle
<b>SINK THICKNESS:</b>	1.18"
<b>MOUNTING TYPE:</b>	Centerset
<b>OVERFLOW HOLE:</b>	Yes

<b>WARRANTY:</b>	1-Year limited warranty
<b>TSCA TITLE IV COMPLIANT:</b>	Yes
<b>LEGAL FOR SALE IN CALIFORNIA:</b>	Yes
<b>PROP 65 HARMFUL MATERIAL:</b>	Formaldehyde



TYPE:  
JOB:  
ORDER CODE:  
APPROVALS: