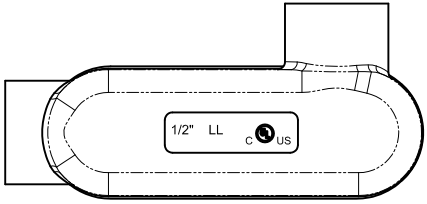
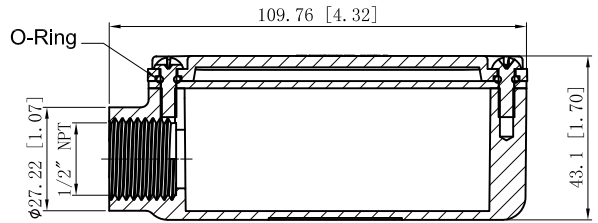


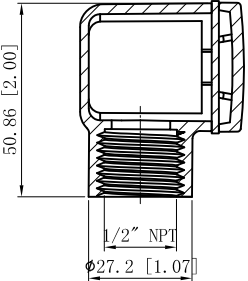
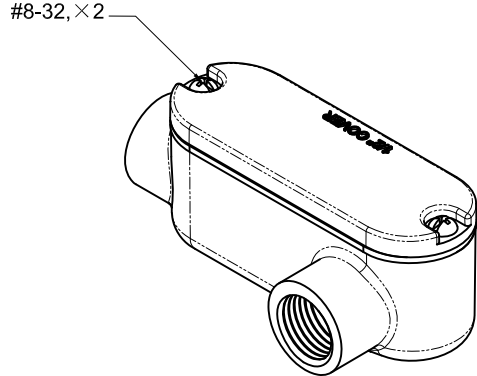
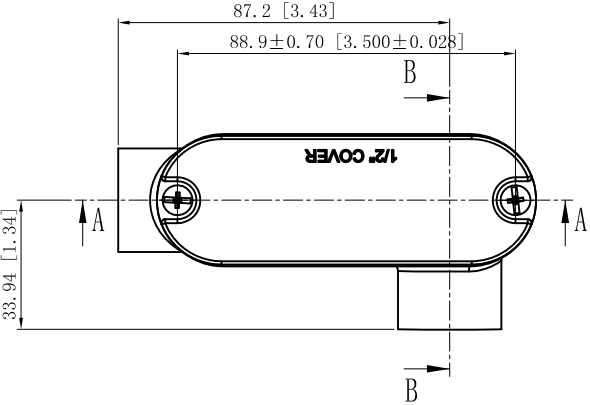
SIDES	BOTTOM
2 PCS 8-32×1/2 Screws Installed	
2 PCS 3.55 X 1.8G (GB34521-92) O-Ring	
Material: Aluminum Powder Coating Silver Grey	



VIEW B



CUTAWAY VIEW A-A



CUTAWAY VIEW B-B

This data sheet is for reference only .GARVIN INDUSTRIES reserves the right to make changes to the design without prior notice.

DESCRIPTION
TRADE REFERENCE TERMS

STANDARD PACKING
10 PCS

GARVIN INDUSTRIES		
"LL" ALUMINUM CONDUIT BODY		
SIZE A4	DWG NO. LL50	REV
DATA SHEET		