

# BRIGHTON DRESSER MIRROR

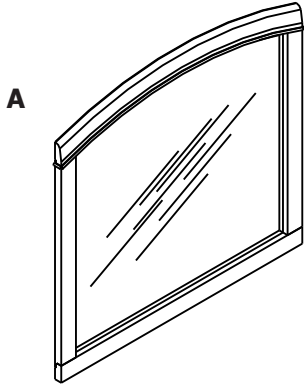
## ASSEMBLY INSTRUCTIONS

**MFI** MODUS  
FURNITURE  
INTERNATIONAL

### PARTS AND FITTING PACKAGING DETAIL

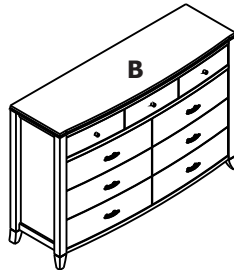
#### BOX DRESSER MIRROR

A. DRESSER MIRROR 1 PC



#### BOX DRESSER 9 DRAWER \*

B. DRESSER 9 DRAWER 1 PC  
C. DRESSER MIRROR SUPPORT 2 PCS  
HARDWARE\*\* IN PLASTIC PUNCH

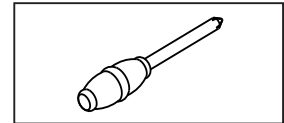


\*SOLD SEPARATELY

#### HARDWARE\*\* PACKED IN BOX DRESSER 9 DRAWER

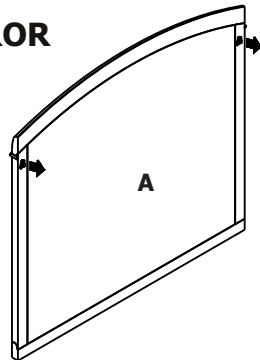
1	WOOD SCREWS Ø8X38MM	12 PCS
---	------------------------	-----------

**TOOL REQUIRED :**  
PHILLIPS HEAD SCREW  
DRIVER (NOT PROVIDED)

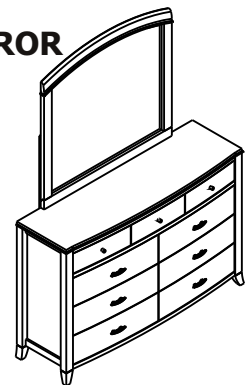


#### OPTION 1 FIXING DRESSER MIRROR ON THE WALL

HANGING ON THE WALL  
USING EYE LIDS WHICH  
ALREADY INSTALLED



#### OPTION 2 FIXING DRESSER MIRROR ON THE DRESSER 9 DRAWER



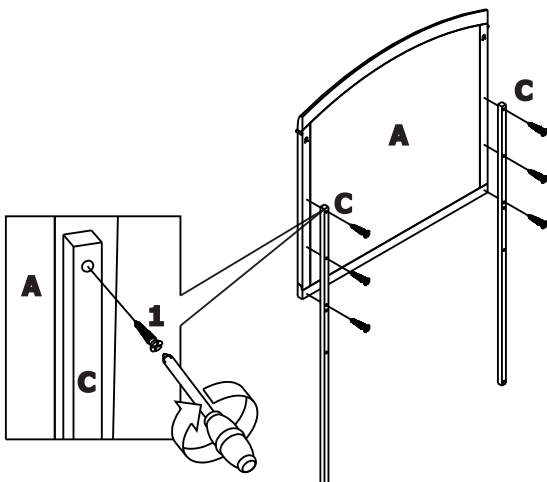
### WARNING

FOR YOUR SAFETY AND CONVENIENCE  
ASSEMBLY BY TWO PEOPLE IS RECOMMENDED

#### STEP 1 :

PLACE DRESSER MIRROR SUPPORT (C) USING PILOT HOLES ON THE MIRROR AS YOUR GUIDE.

USE PILOT HOLES AS REFERENCE TO CONNECT DRESSER MIRROR (A) & DRESSER MIRROR SUPPORT (C) USING WOOD SCREWS (1). TIGHTEN THE SCREWS USING PHILLIPS HEAD SCREW. REPEAT THE STEP FOR SECOND DRESSER MIRROR SUPPORT (C).



#### STEP 2 :

PLACE DRESSER MIRROR SUPPORT (C) USING PILOT HOLES ON THE DRESSER AS YOUR GUIDE.

FOLLOW THE ILLUSTRATION TO FIX DRESSER MIRROR (A) TO DRESSER 9 DRAWER (B) USING WOOD SCREWS (1) ON DRESSER MIRROR SUPPORT (C) FROM BACK SIDE, USE PILOT SCREWS AS REFERENCE FOR EASY ASSEMBLY. TIGHTEN THE SCREWS USING PHILLIPS HEAD SCREW.

