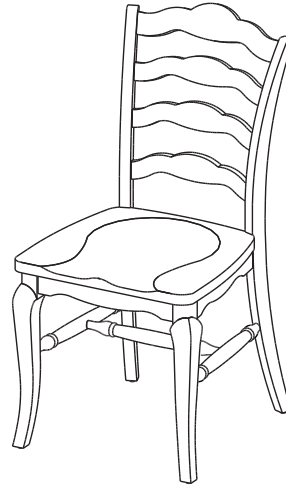


**IMPORTANT**

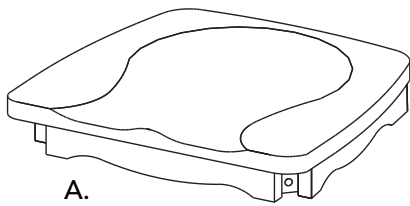
Carefully remove all the parts from the carton and place them individually on a soft cloth to prevent scratches or other damage.

Carefully and strictly follow these assembly instructions to ensure a completed product as designed.

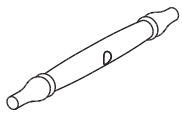
Do not use power tools above 8 volts to assemble.



**Part List**



A.  
Seat  
1 pc.



B.  
Side Stretcher  
2 pcs.



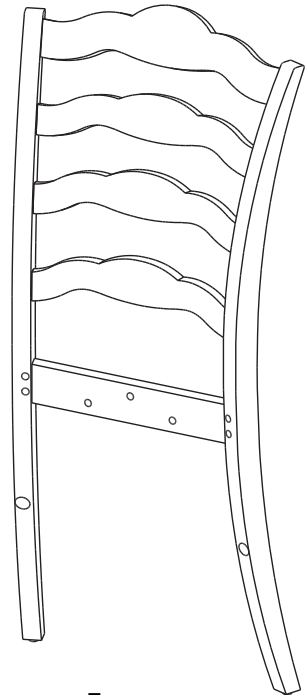
C.  
Center Stretcher  
1 pc.



D.  
Leg  
1 pc.



E.  
Leg  
1 pc.



F.  
Back Frame  
1 pc.

**Hardware List**



Hex Wrench  
1 pc.



Small Hex Wrench  
1 pc.



Flat Washer  
11 pcs. (+1 extra)



M6x40  
Head Cap Bolt (short)  
3 pcs. (+1 extra)



Spring Washer  
11 pcs. (+1 extra)



M6x50  
Head Cap Bolt  
4 pcs. (+1 extra)



M3.5x30  
Wood Screw  
4 pcs. (+1 extra)



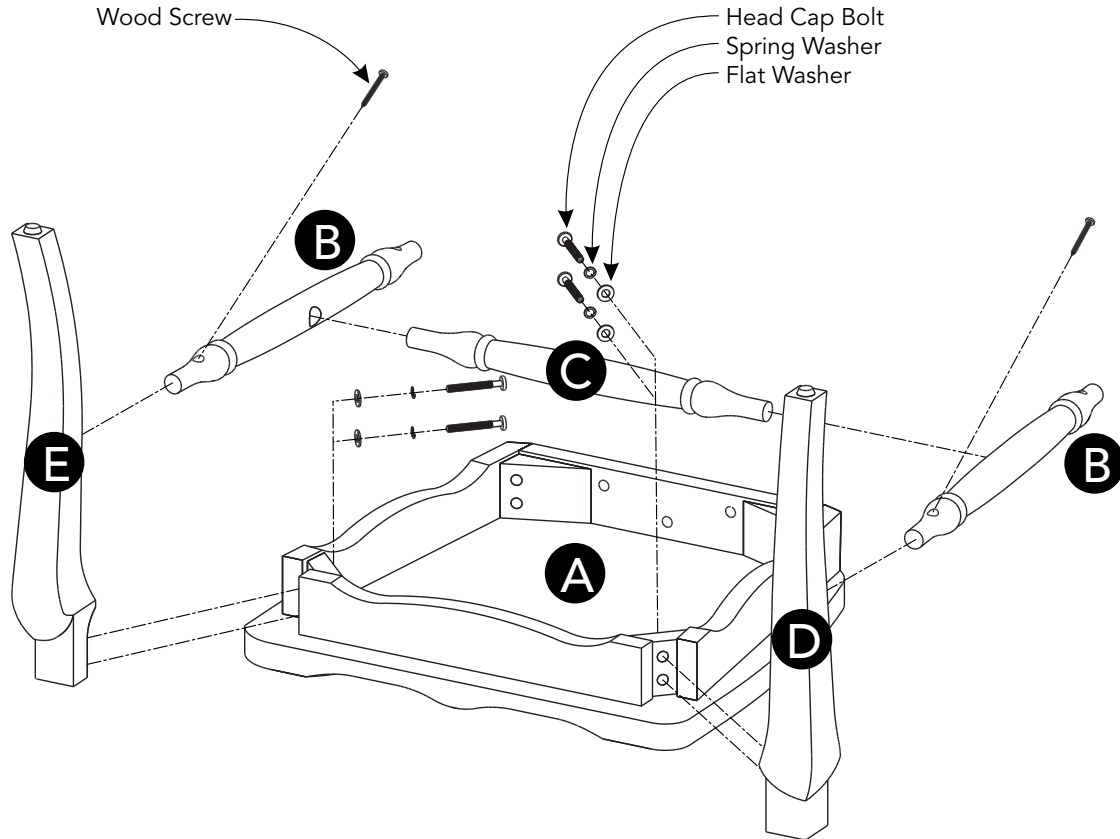
M6x70  
Head Cap Bolt (long)  
4 pcs. (+1 extra)

Tool(s) required for assembly: Phillips screwdriver

## Assembly Instructions 2/3

### IMPORTANT

- Use a soft cloth between these parts and the floor.
- Do not use power tools above 8 volts to assemble.
- Do not tighten all the bolts until each part is properly assembled.
- Keep Hex Wrench as the bolts may need to be tightened in the future.



### STEP 1

Attach Legs (D) and (E) to Seat (A) with Flat Washers, Spring Washers and Head Cap Bolts, tightening bolts only halfway.  
(See Figure 1)

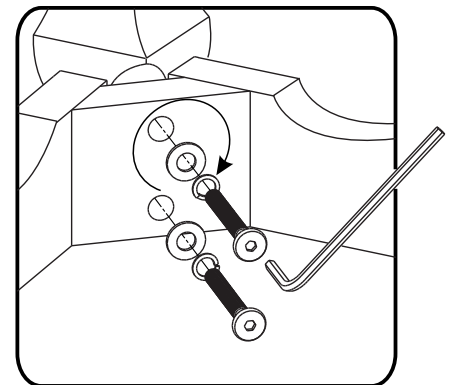


Figure 1

Attach Side Stretchers (B) to Legs (D) and (E) with Wood Screws.  
(See Figure 2)

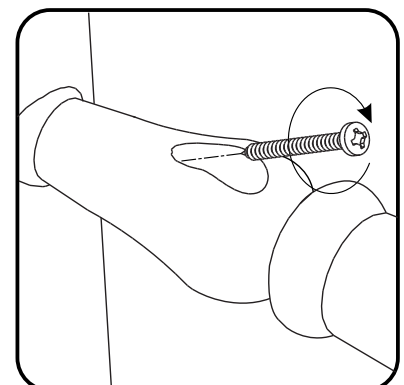
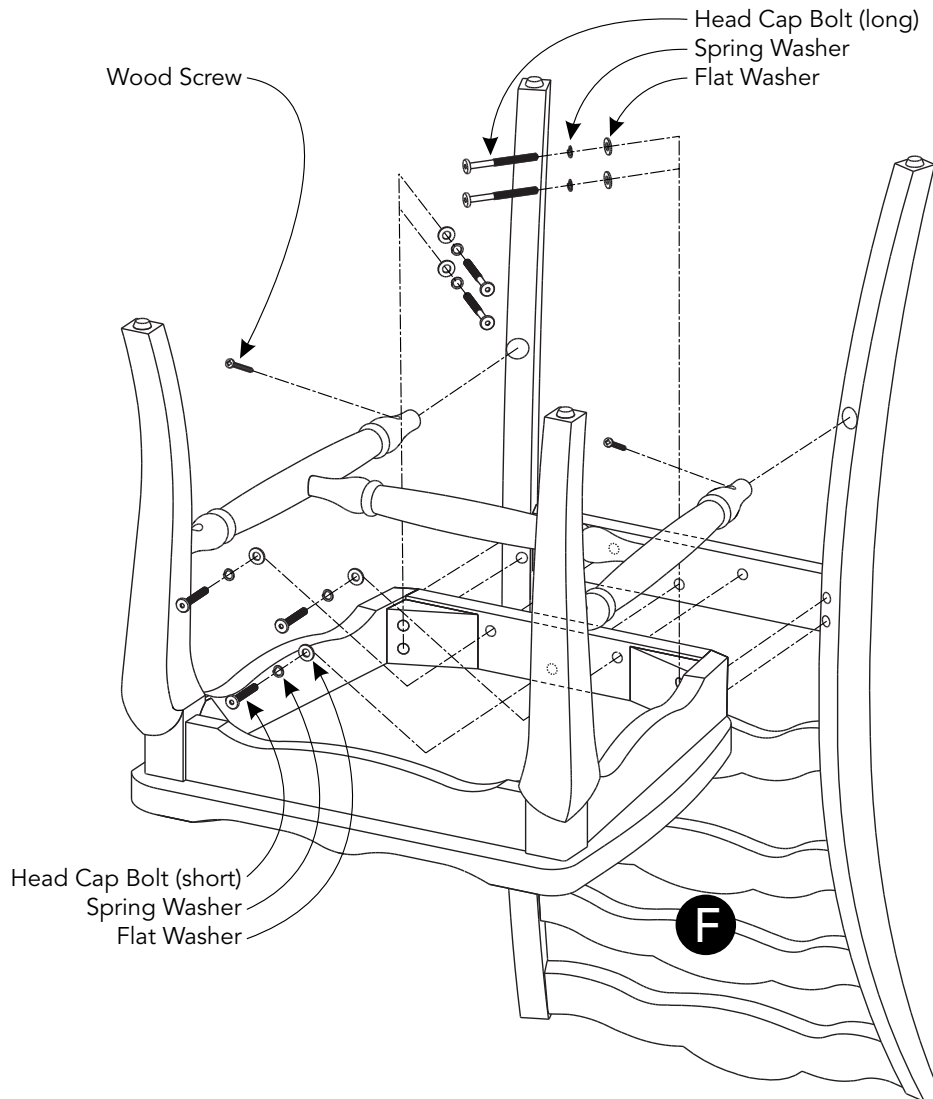


Figure 2

Slide ends of Center Stretcher (C) into pre-drilled holes in middle of Side Stretchers (B).

## Assembly Instructions 3/3



### STEP 2

Attach Back Frame (F) to unit with Flat Washers, Spring Washers, Head Cap Bolts (short) and Head Cap Bolts (long), tightening bolts only halfway. (See Figures 3 and 4)

Tighten all bolts used in Steps 1 and 2.

Insert Wood Screws into pre-drilled holes in unit, then tighten.

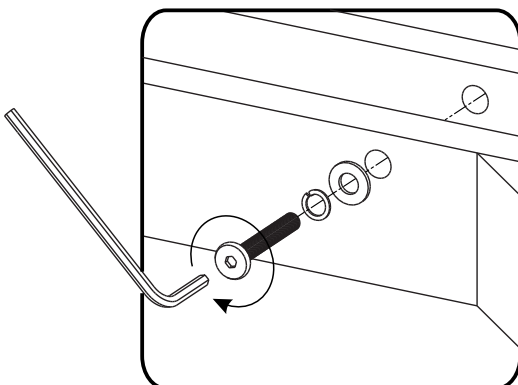


Figure 3

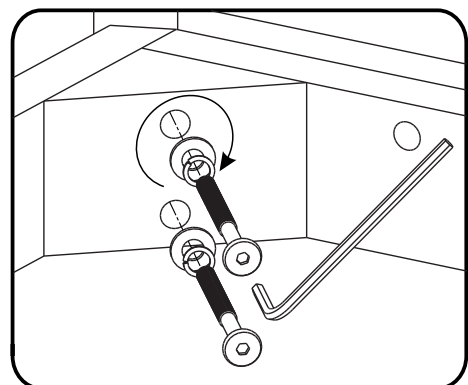


Figure 4

# CARE INSTRUCTIONS

## NEVER

allow liquids to remain on furniture.  
Absorption causes parts to warp  
and split and finishes to delaminate.

## NEVER

use glass cleaners on  
finished furniture. Ammonia  
chemically attacks the finish.



Do not use power tools  
above 8 volts to assemble.

**PREVENT  
CRACKING**



Do not place  
in direct sunlight.

**PREVENT  
FADING**



Do not write  
directly on surface.

**PREVENT  
MARKING**



Do not place hot  
objects on surface.

**PREVENT  
FINISH DAMAGE**



Do not use rubber  
based placemats.

**PREVENT  
DISCOLORING**



Do not use commercial  
waxes and polishes.

**PREVENT  
YELLOWING**

## CLEAN

with a soft cloth moistened  
in lukewarm soap and water.  
Buff with a dry clean cloth.



**homestyles** will provide replacements free of charge for missing or damaged parts within 30 days of purchase. Digital images of the defective parts may be required. If the product was not purchased from an authorized retailer, **homestyles** is under no obligation to provide replacement parts. Parts are not available for fully assembled items nor are parts available for sale. Replacements for missing or damaged parts may be requested via contact info below.

**homestyles** Customer Service: [www.homestylesfurniture.com](http://www.homestylesfurniture.com),  
[servicedesk@homestylesfurniture.com](mailto:servicedesk@homestylesfurniture.com), 888-680-7460