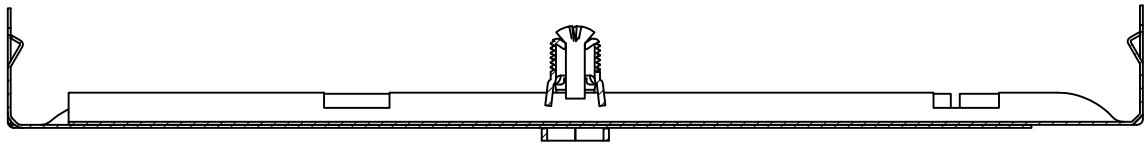
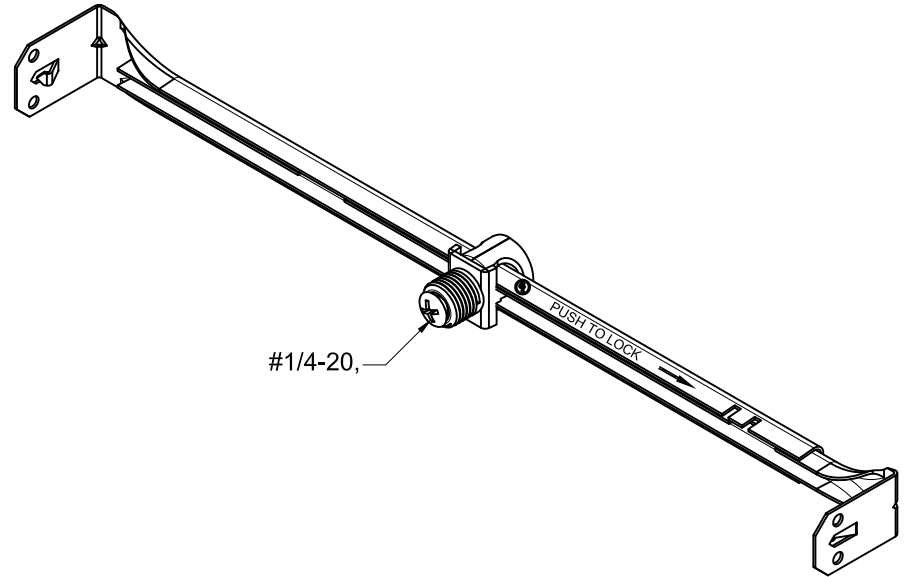


SIDES	BOTTOM
1 PCS 1/4-20×7/8 Screws Installed	
Material:Steel-0.039"-G60 Galvanized	

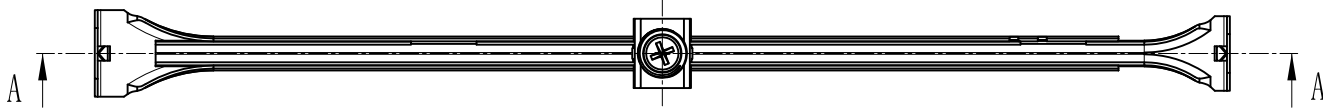


CUTAWAY VIEW A-A



#1/4-20,

PUSH TO LOCK



This data sheet is for reference only .GARVIN INDUSTRIES reserves the right to make changes to the design without prior notice.

DESCRIPTION
TRADE REFERENCE TERMS

STANDARD PACKING
50 PCS

TITLE			
GARVIN INDUSTRIES			
ADJUSTABLE LENGTH BOX BAR HANGERS			
SIZE	DWG NO.		REV
A4	BHA1		A
DATA SHEET			